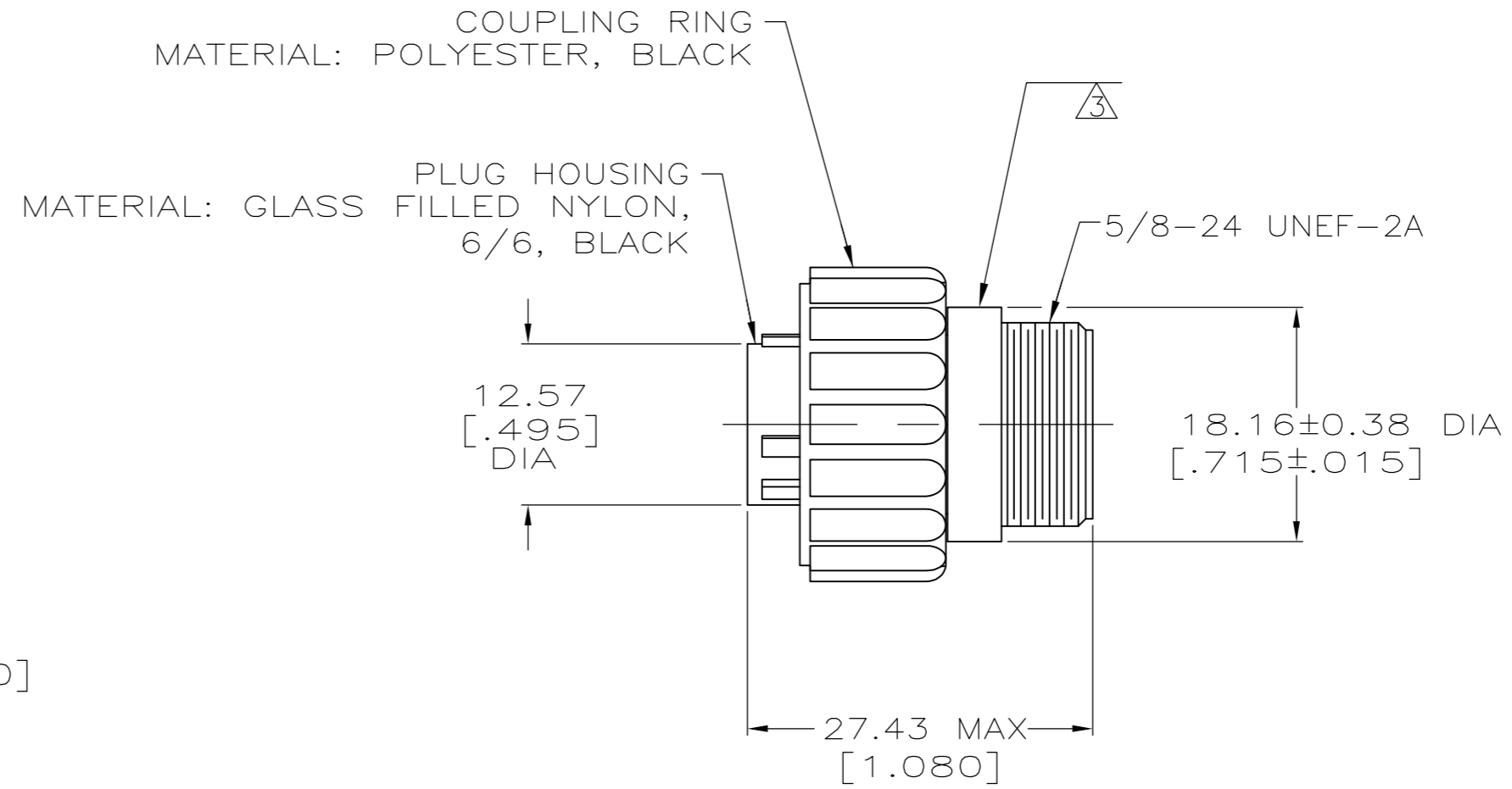
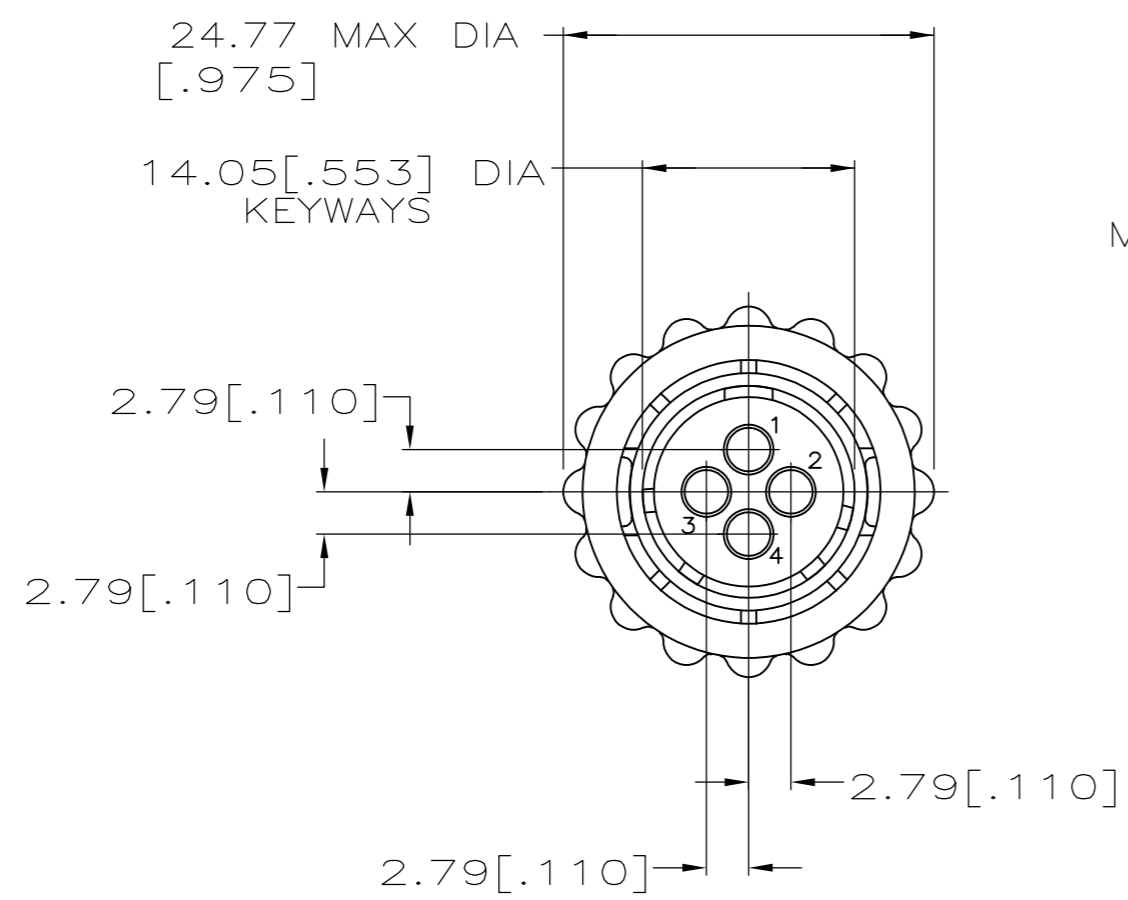


THIS DRAWING IS UNPUBLISHED. RELEASED FOR PUBLICATION  
 © COPYRIGHT - By - ALL RIGHTS RESERVED.

LOC		DIST		REVISIONS			
P	LTR	DESCRIPTION		DATE	DWN	APVD	
FT	4	H1	REVISED PER ECO-11-004587		11MAR11	RK	HMR



NOTES:

- CAVITY IDENTIFICATION ON FRONT AND REAR FACE.
  - WILL ACCEPT FOUR (4) MULTIMATE CONTACTS.
- MOLDED PART NUMBER THIS SURFACE. PART NUMBER MAY ALSO APPEAR ON COUPLING RING MATING FACE.

SMALL PACK	206060-2
STANDARD	206060-1
PACKAGING	PART NO.

THIS DRAWING IS A CONTROLLED DOCUMENT.		DWN	D.GELTZ	07/26/93		TE Connectivity							
DIMENSIONS: mm		CHK	R.STONE	08/11/93		NAME							
TOLERANCES UNLESS OTHERWISE SPECIFIED:		APVD	-	-		PRODUCT SPEC							
0 PLC ± - 1 PLC ± - 2 PLC ± 0.13 [.005] 3 PLC ± - 4 PLC ± - ANGLES ± -		APPLICATION SPEC		108-10024		PLUG ASSEMBLY, STANDARD SEX, SERIES 1, 11-4, CPC							
MATERIAL	SEE	FINISH	-	WEIGHT	-	SIZE	A2	CAGE CODE	00779	DRAWING NO	C=206060	RESTRICTED TO	-
CUSTOMER DRAWING						SCALE	2:1	SHEET	1 OF 1	REV	H1		

单击下面可查看定价，库存，交付和生命周期等信息

[>>TE Connectivity\(泰科\)](#)