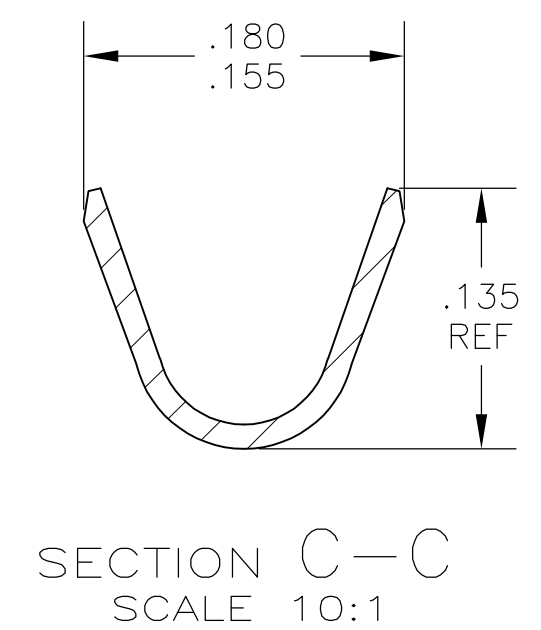
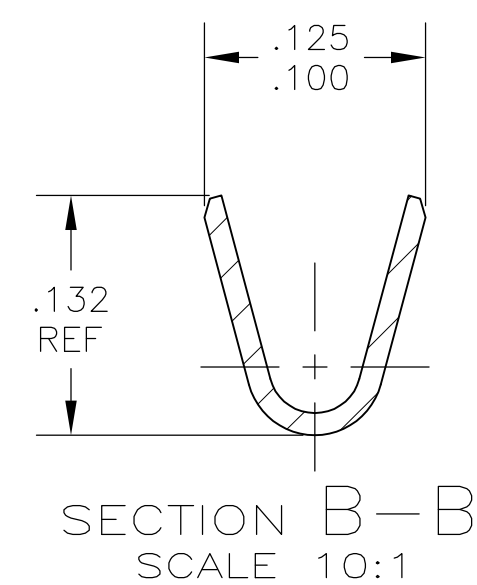
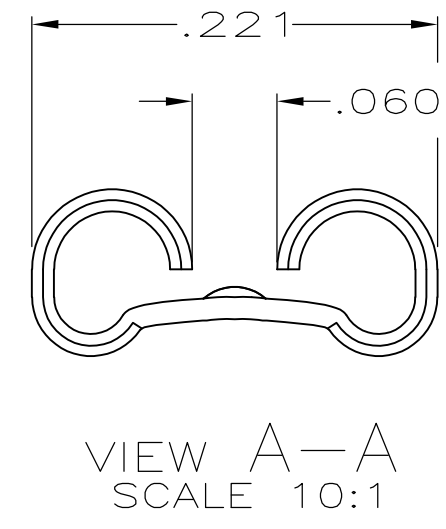
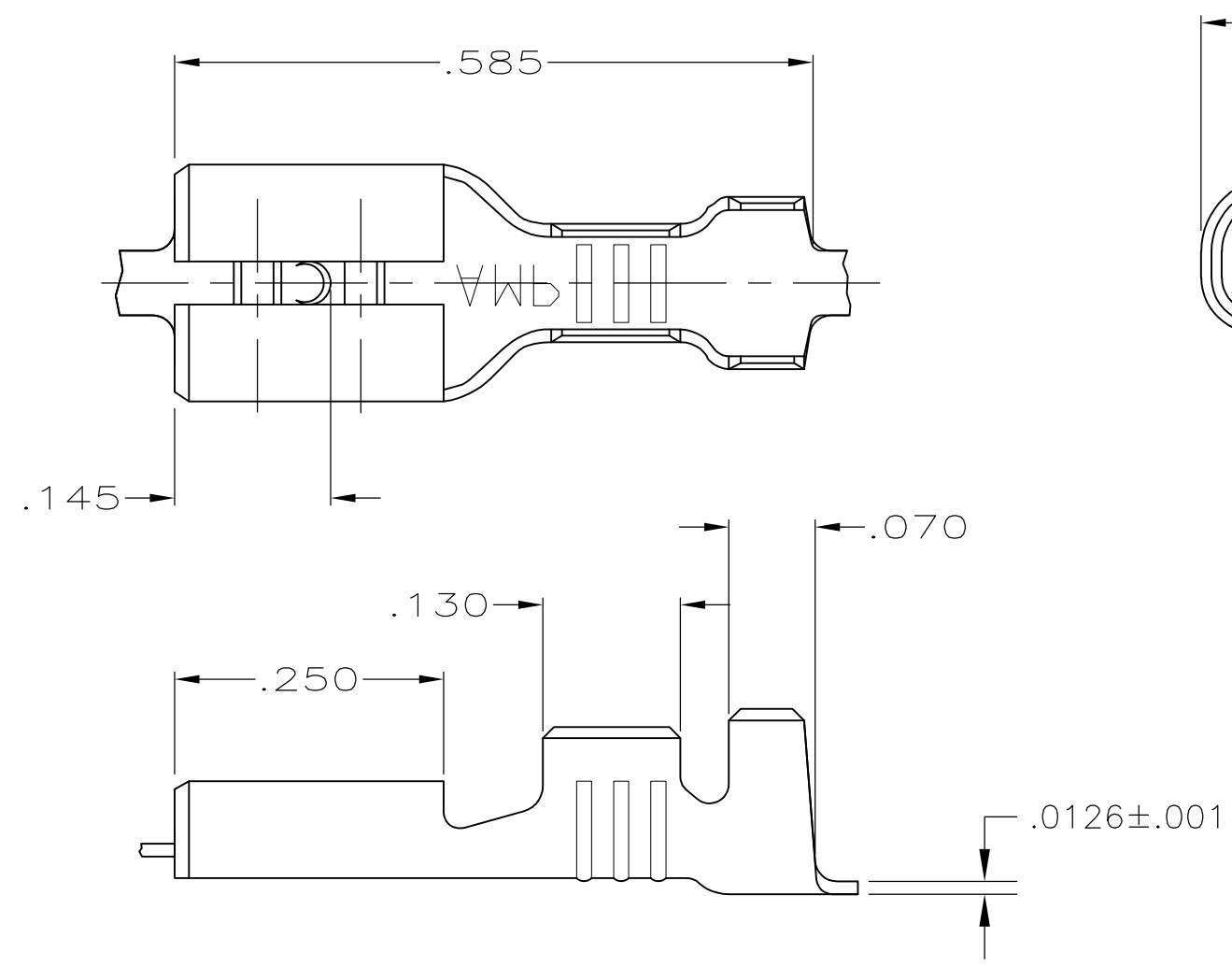



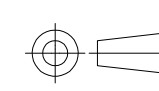
THIS DRAWING IS UNPUBLISHED. RELEASED FOR PUBLICATION
 © COPYRIGHT - By - ALL RIGHTS RESERVED.

LOC	DIST	REVISIONS			
P	LTR	DESCRIPTION	DATE	DWN	APVD
AF	50				
	D	REVISED PER ECR-12-013518	26NOV2012	KH	PD

- 1 CONTINUOUS STRIP ON REELS.
- 2 WIRE SIZE IS #20-#16 AWG
- 3 INSULATION RANGE IS .070-.100 DIA
- 4 MATING TAB THK IS .032±.001



1742102-1
PART NO

THIS DRAWING IS A CONTROLLED DOCUMENT.		DWN JR RUTH 23MAR04	 TE Connectivity				
DIMENSIONS: INCHES 		CHK MS FEHER 23MAR04				NAME RECEPTACLE, FASTON, .187 SERIES	
TOLERANCES UNLESS OTHERWISE SPECIFIED: 0 PLC ± - 1 PLC ± - 2 PLC ± - 3 PLC ± .010 4 PLC ± - ANGLES ± -		APVD P DESANTIS 23MAR04	PRODUCT SPEC -				
MATERIAL BRASS		FINISH TIN	APPLICATION SPEC -	SIZE A3	CAGE CODE 00779	DRAWING NO C-1742102	RESTRICTED TO -
CUSTOMER DRAWING			SCALE 6:1	SHEET 1 OF 1	REV D		

单击下面可查看定价，库存，交付和生命周期等信息

[>>TE Connectivity\(泰科\)](#)