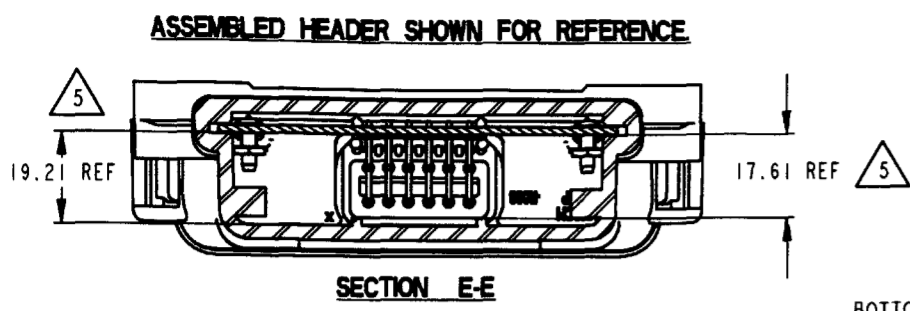
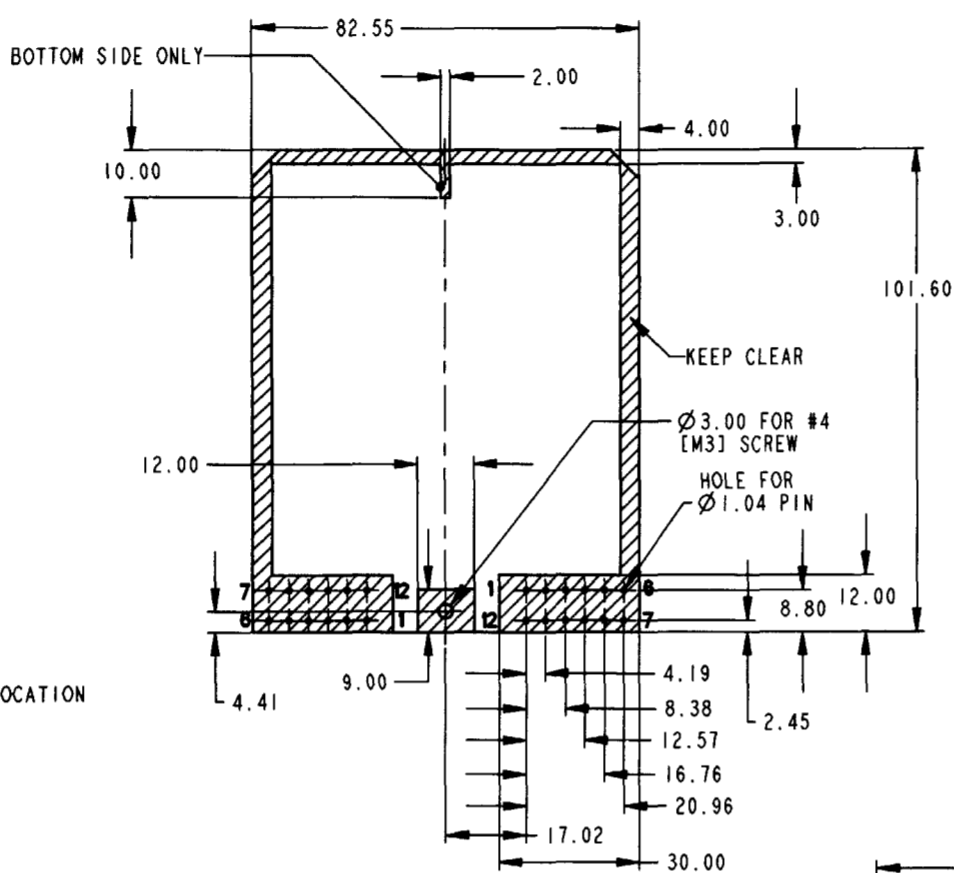


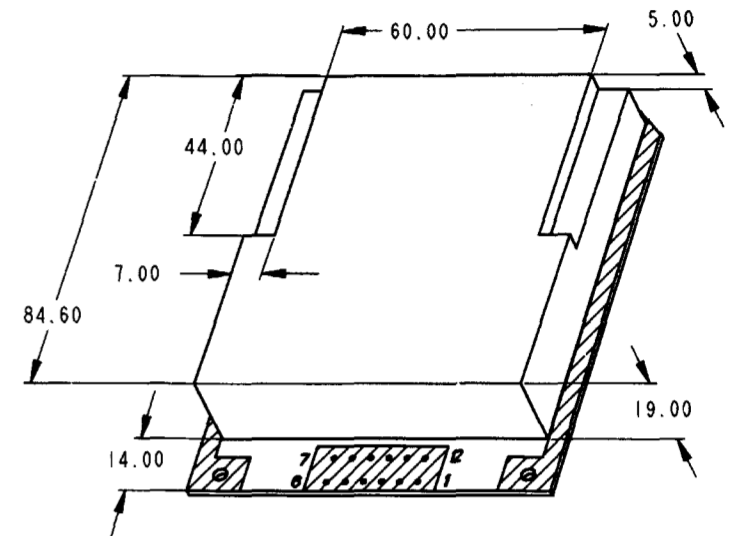
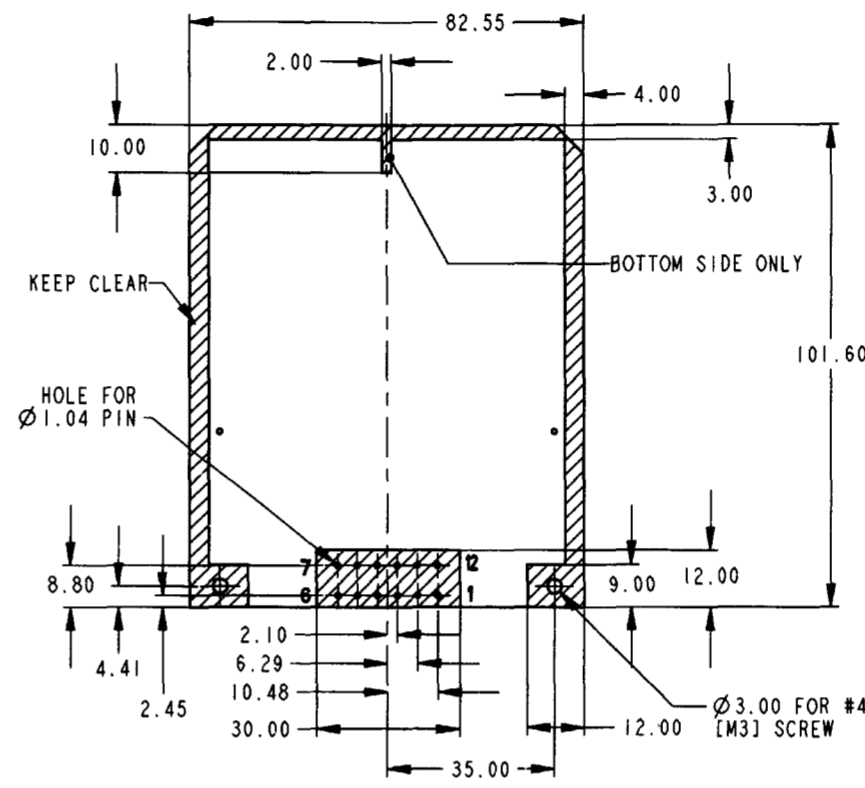
REV NC		REVISIONS			
SYM	DESCRIPTION	DATE	APPROVED		
NC	RELEASED PER E.O. P18244	7/16/03	<i>[Signature]</i>		



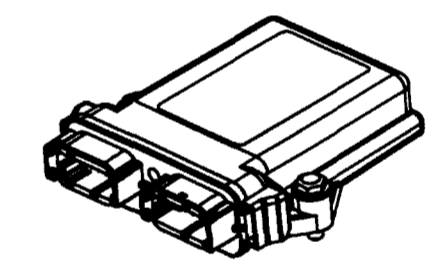
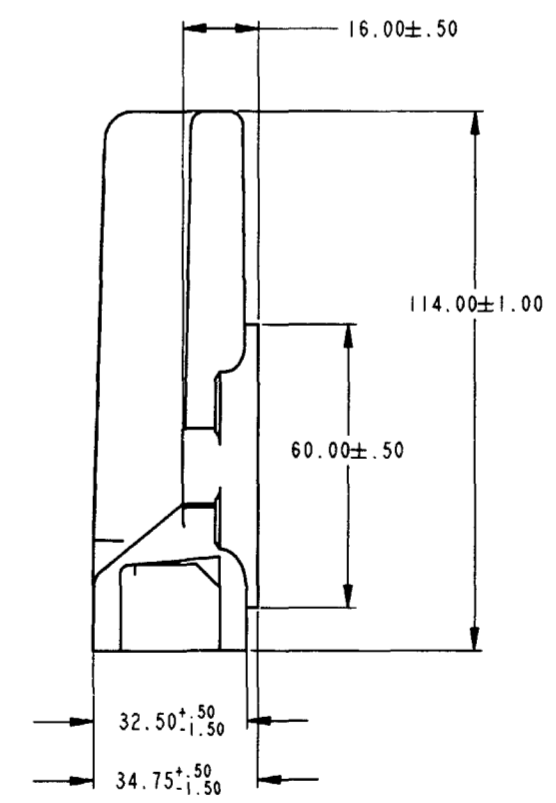
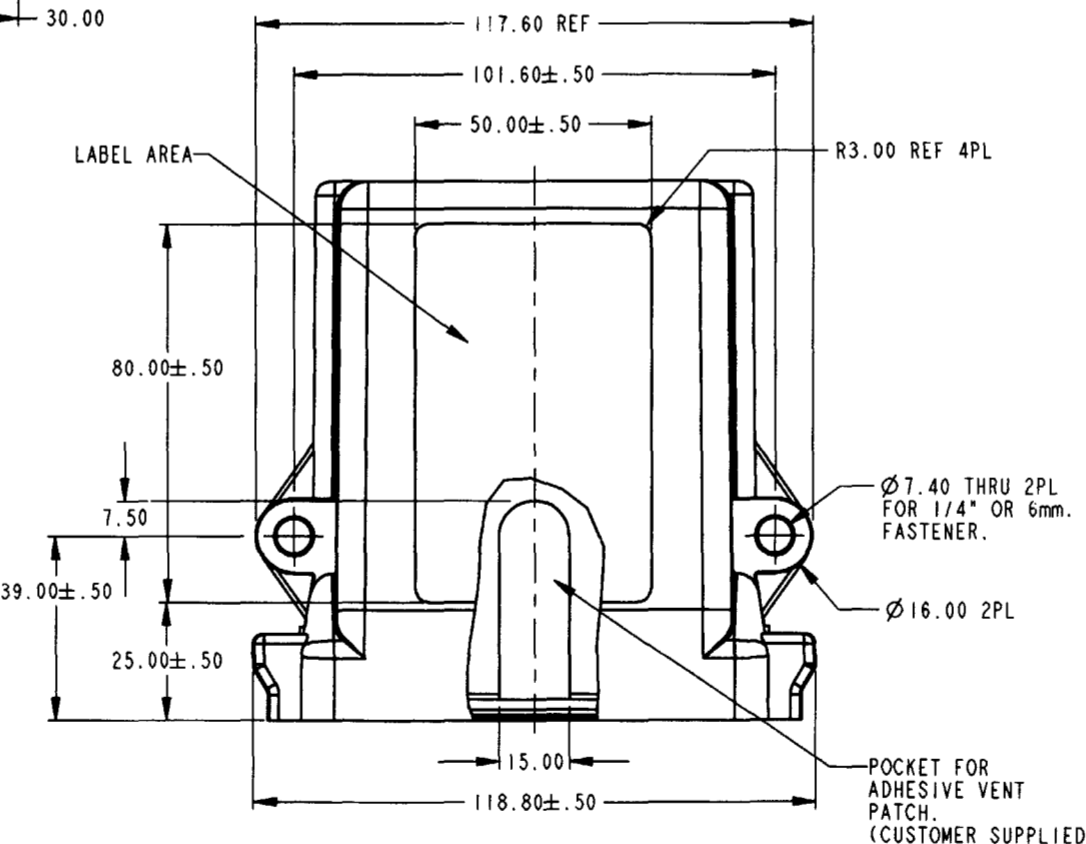
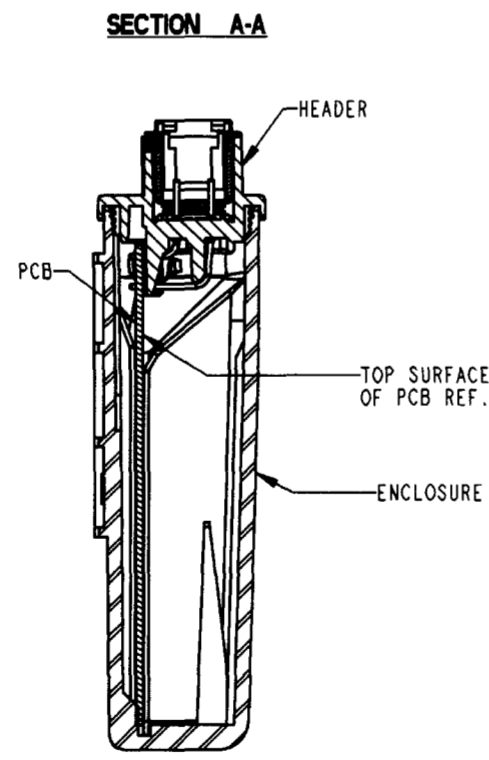
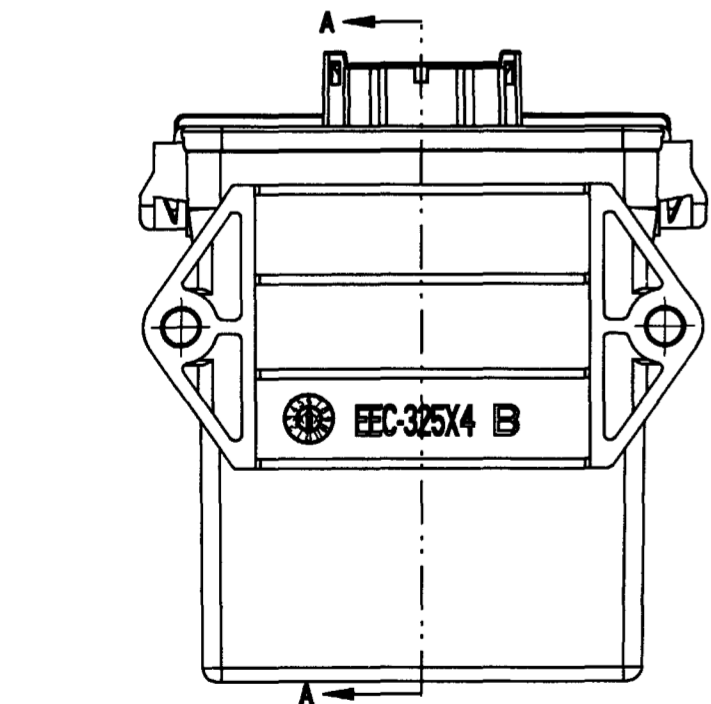
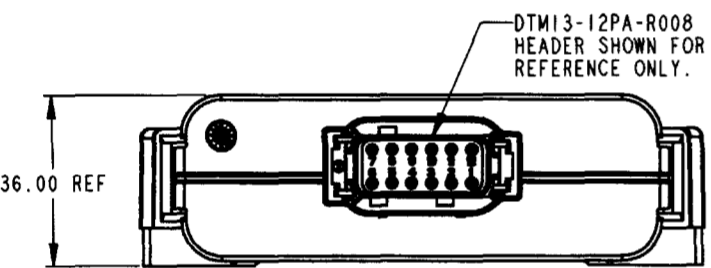
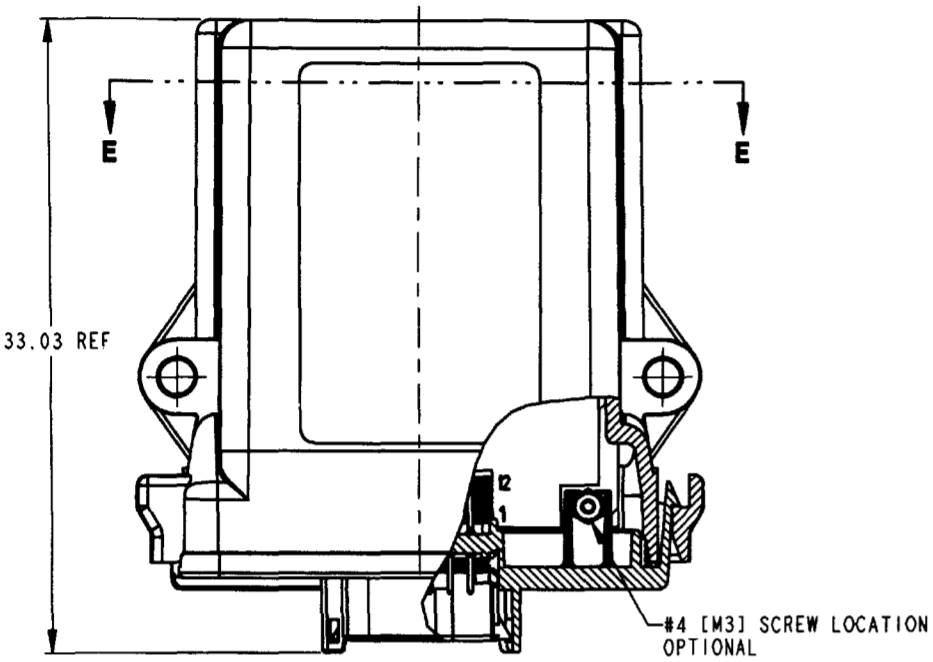
CIRCUIT BOARD HOLE LOCATIONS AND KEEP CLEAR AREAS FOR
DTM13-12P*-12P*-R008
DTM13-12P*-12P*-GR01
ALL DIMENSIONS REFERENCE TOP VIEW



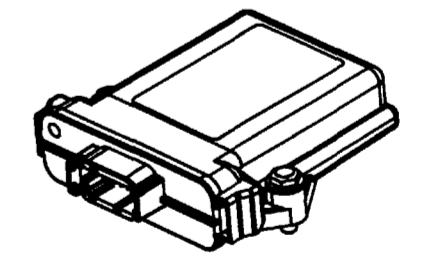
CIRCUIT BOARD HOLE LOCATIONS AND KEEP CLEAR AREAS FOR
DTM13-12P*-R008
DTM13-12P*-GR01
ALL DIMENSIONS REFERENCE TOP VIEW



THREE DIMENSIONAL SPACE LIMIT
APPROXIMATE INTERNAL SPACE FOR COMPONENT SPACE LAYOUT
MAX. COMPONENT HEIGHT UNDER BOARD 3.00 mm.



3D VIEW
DTM13-12P*-12P*-R008 AND DTM13-12P*-12P*-GR01 HEADER AND MOUNTING HARDWARE SHOWN FOR REFERENCE



3D VIEW
DTM13-12P*-R008 AND DTM13-12P*-GR01 HEADER AND MOUNTING HARDWARE SHOWN FOR REFERENCE

5. MAXIMUM COMPONENT HEIGHT DEPENDS ON LOCATION DUE TO PART DRAFT AND RIBS.
4. THIS ENCLOSURE MATES WITH DTM13-12P*-R008 (Ni PINS); DTM13-12P*-GR01 (Au PINS); DTM13-12P*-12P*-R008 (Ni PINS); DTM13-12P*-12P*-GR01 (Au PINS) HEADERS. (*=A,B,C,D KEYS).
3. ENCLOSURE MATERIAL: ULTEM NATURAL
2. ALL DIMENSIONS ARE +/- .25 UNLESS OTHERWISE SPECIFIED.
1. ALL DIMENSIONS ARE METRIC.

SIGNATURE & DATE	
DR	M. GONZALEZ 7/15/03
CHK	<i>[Signature]</i>
PE	<i>[Signature]</i> 7/15/03
APPD	<i>[Signature]</i> 7/15/03
SCALE	1X WT

PCB ENCLOSURE SHOWN WITH 12 AND 24 PIN HEADER DTM SERIES

EP	MATL. CODE
The Deutch Company	
DEUTSCH I.P.D.	
3850 INDUSTRIAL AVE.	
HEWET, CALIF. 92545	
EEC-325X4B-E016	
DWG SIZE	CODE SHEET 1 OF 1

ENVELOPE

单击下面可查看定价，库存，交付和生命周期等信息

[>>TE Connectivity\(泰科\)](#)