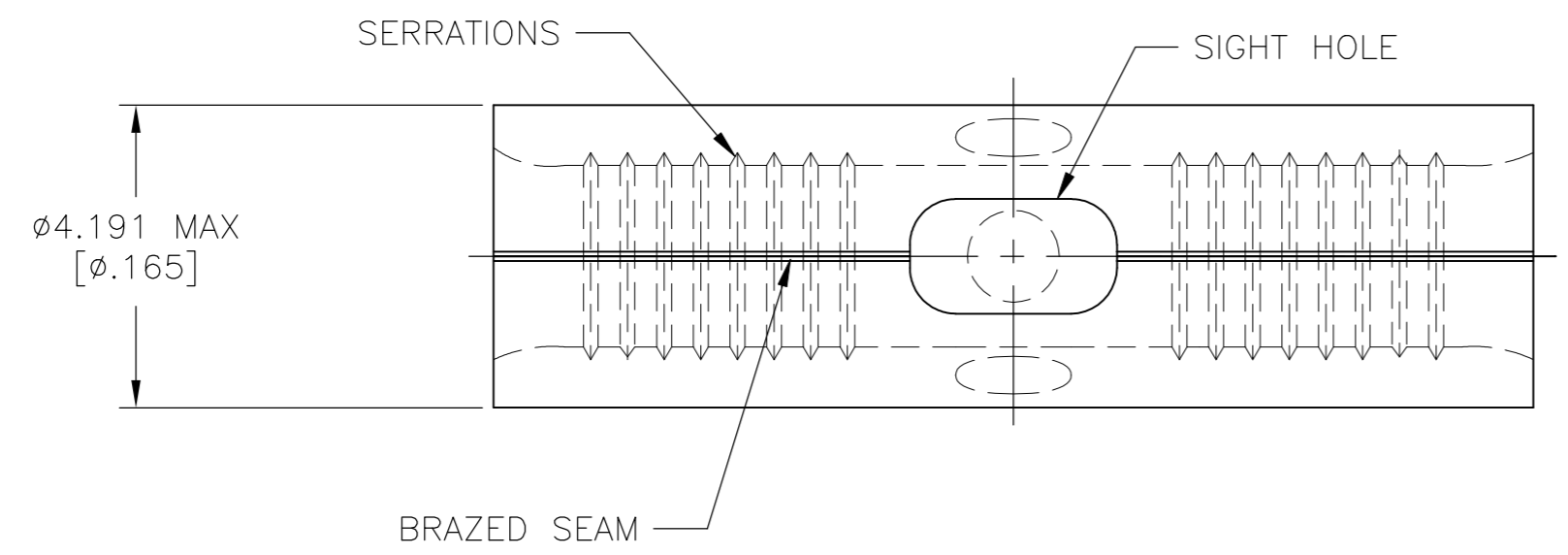


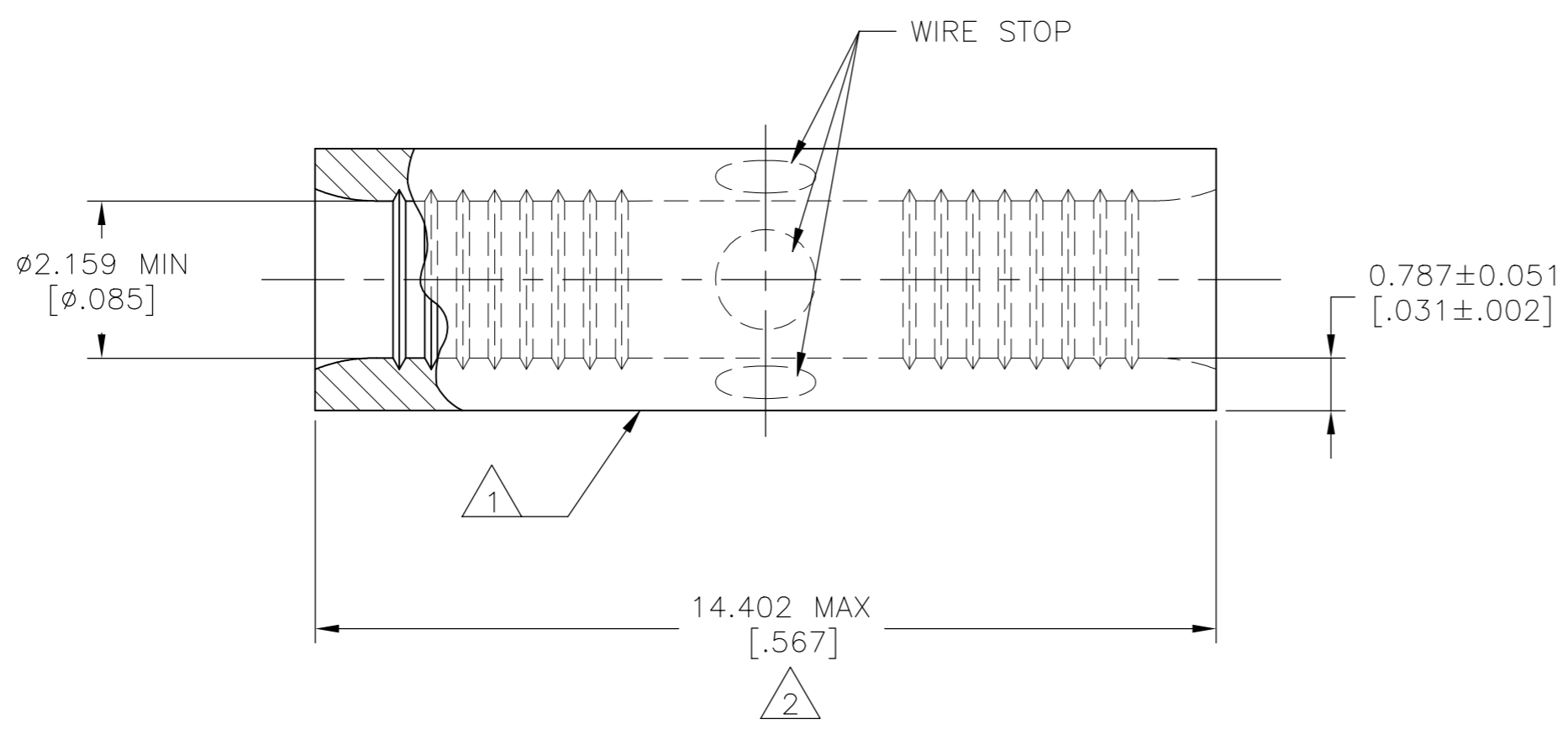
THIS DRAWING IS UNPUBLISHED. RELEASED FOR PUBLICATION  
 © COPYRIGHT - TE Connectivity Ltd. ALL RIGHTS RESERVED.

REVISIONS					
P	LTR	DESCRIPTION	DATE	DWN	APVD
G		REV PER 0G3A-0035-05	28FEB05	JR	MJS
G1		REVISED PER ECO-17-008806	15FEB2018	RS	DR

16-14 AWG SOLID OR STRANDED	16-14 AWG SOLID OR STRANDED	16-14 AWG SOLID OR STRANDED



- 1 STAMP AMP 16-14\* APPROX AS SHOWN
- 2 MAXIMUM LENGTH DOES NOT INCLUDE MANUFACTURING TABS
- 3 TIN PLATE 0.00254 [.000100] MIN THK PER ASTM B-545
- 4 NOTE DELETED
- 5 COPPER PER ASTM B-152, ANNEALED
- 6 NOTE DELETED



3	100	LOOSE PIECE, BOX	8-330368-1
3	1000	LOOSE PIECE	330368
FINISH	QTY	PACKAGING TYPE	PART NO.

**AMP INCORPORATED  
CUSTOMER SERVICE SYSTEMS**

FOR ADDITIONAL PRODUCT INFORMATION OR COPIES OF DRAWINGS AND TECHNICAL DOCUMENTS  
 PRODUCT INFORMATION CENTER  
 1-800-522-6752

FOR APPLICATION  
 TOOLING ASSISTANCE CENTER  
 1-800-722-1111

TOOLING INFORMATION  
 1-800-722-1111

FOR ORDER ENTRY  
 1-800-526-5142

MAX RECOMMENDED OPERATING TEMPERATURE:  
170°C[338°F] MAX

VOLTAGE RATING:  
N/A

CIRCULAR MIL AREA:  
1.04-2.62mm²[2,050-5,180]  
SOLID OR STRANDED

THIS DRAWING IS A CONTROLLED DOCUMENT.

DIMENSIONS:  
mm [INCHES]

TOLERANCES UNLESS OTHERWISE SPECIFIED:

0 PLC	± -
1 PLC	± -
2 PLC	± -
3 PLC	± 0.127[.005]
4 PLC	± -
ANGLES	± -

MATERIAL: - 5

FINISH: SEE TABLE

DWN: TA BRINKMAN 4-13-93  
 CHK: DA PATTERSON 4-13-93  
 APVD: JL MECKLEY 4-13-93

**STE** TE Connectivity Ltd.

NAME: SPLICE, BUTT, SIGHT HOLE, SOLISTRAND 16-14 AWG

APPLICATION SPEC: UL 486 A-B

SIZE: A2 CAGE CODE: 00779 DRAWING NO: C-330368 RESTRICTED TO: -

CUSTOMER DRAWING SCALE: 10:1 SHEET: 1 of 1 REV: G1

单击下面可查看定价，库存，交付和生命周期等信息

[>>TE Connectivity\(泰科\)](#)