

THIS DRAWING IS UNPUBLISHED.

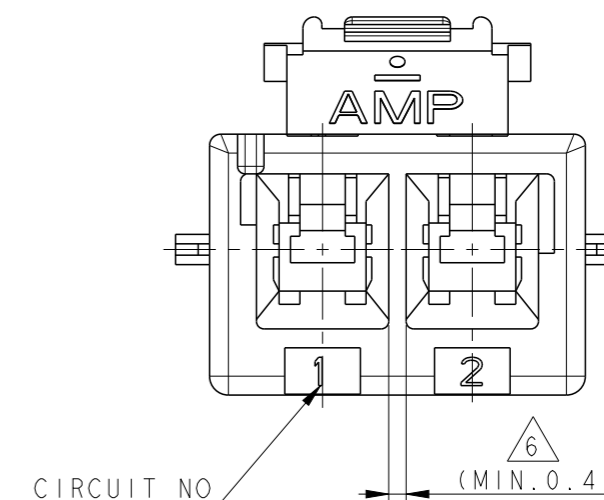
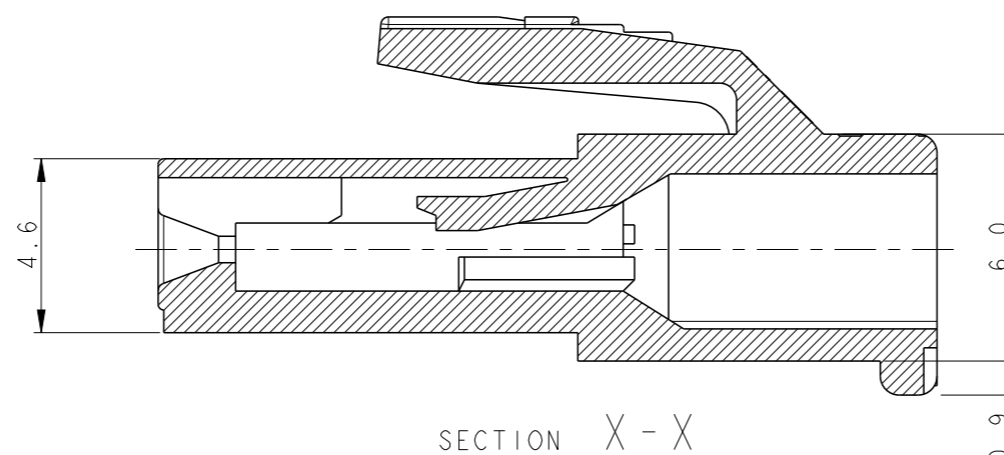
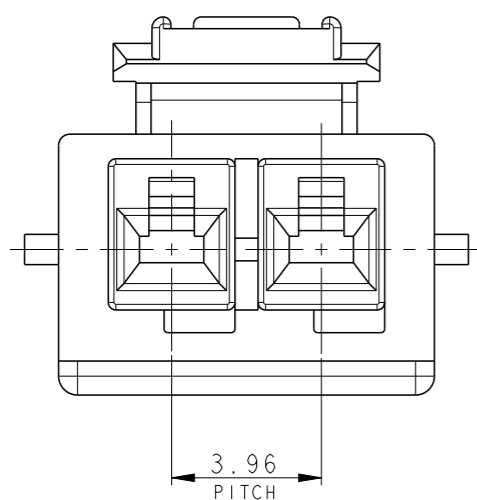
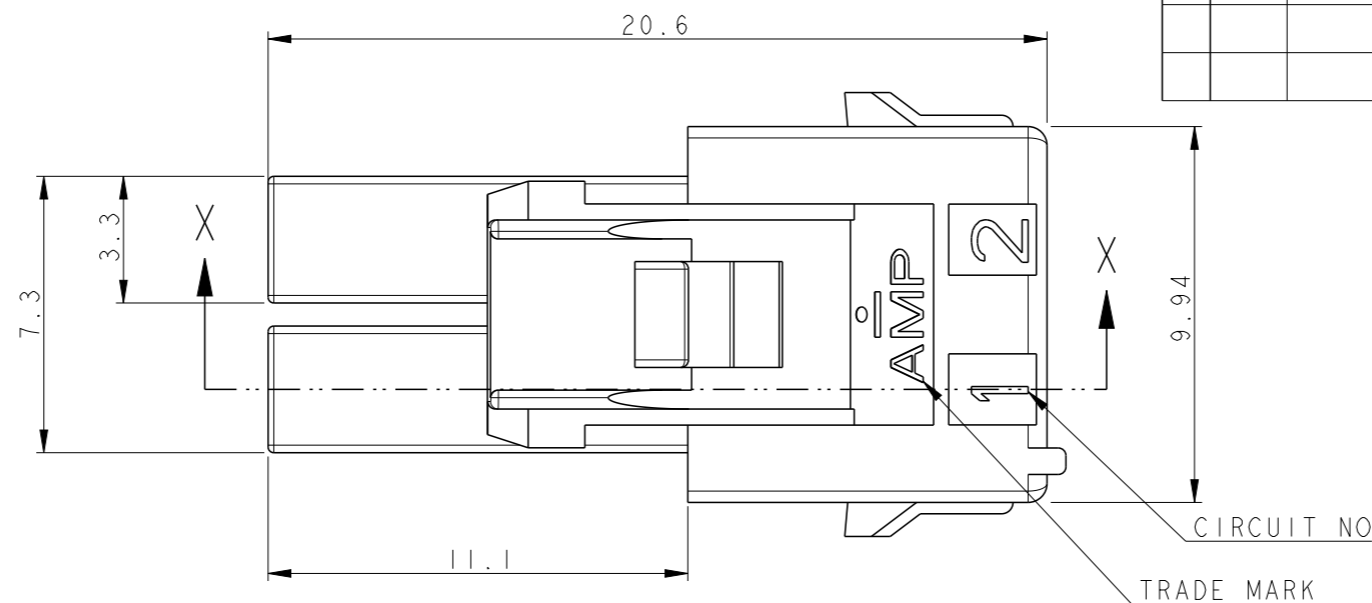
RELEASED FOR PUBLICATION

20

REVISIONS

© COPYRIGHT 20 BY - ALL RIGHTS RESERVED.

P	LTR	DESCRIPTION	DATE	DWN	APVD
	B	REVISED PER ECR-18-016962	29OCT2018	SC	BH



- NOTE;
- APPLICABLE CONTACT P/N
 - REC CONTACT: 177915-□ (AWG#16-#20)
 : 177914-□ (AWG#22-#26)
 - MATING CONN. P/N
 - CAP HSG: 2005248-□ (FREE HANGING)
 2005249-□ (PANEL MOUNT)
 - TAB CONTACT: 177917-□ (AWG#16-#20)
 177916-□ (AWG#22-#26)
 - APPLICABLE DOUBLE LOCK PLATE:
 177918-1(V-0) OR □ -368590-1(V-2,GWT)
 *IT SHOULD BE USED CERTAINLY WHEN CABLE ASS'Y
 - GENERAL TOLERANCES: ±0.3
 - MATERIAL: PA66, UL94V-0, GWIT 775°C, GWEPT 750°C, CTI 250V AND BALL PRESSURE 125°C
- △ MIN. THICKNESS OF INSULATING WALL

2005247-9	BLACK
2005247-6	BLUE
2005247-4	YELLOW
2005247-2	RED
2005247-1	NATURAL
P/N	COLOR

THIS DRAWING IS A CONTROLLED DOCUMENT.		DWN SC KIM		TE Connectivity	
DIMENSIONS: mm		CHK BW KANG			
TOLERANCES UNLESS OTHERWISE SPECIFIED:		APVD JK SONG		NAME	
0 PLC ± 1 PLC ± 2 PLC ± 3 PLC ± 4 PLC ± ANGLES ± FINISH -		PRODUCT SPEC 108-61106		PDL 2P PLUG HSG 3.96mm (GWT)	
MATERIAL		APPLICATION SPEC -		RESTRICTED TO	
△ 5		WEIGHT -		SIZE A3	
		RESTRICTED CUSTOMER		CAGE CODE 00779	
				DRAWING NO. C-2005247	
				SCALE 5:1	
				SHEET 1 OF 1	
				REV B	

单击下面可查看定价，库存，交付和生命周期等信息

[>>TE Connectivity\(泰科\)](#)