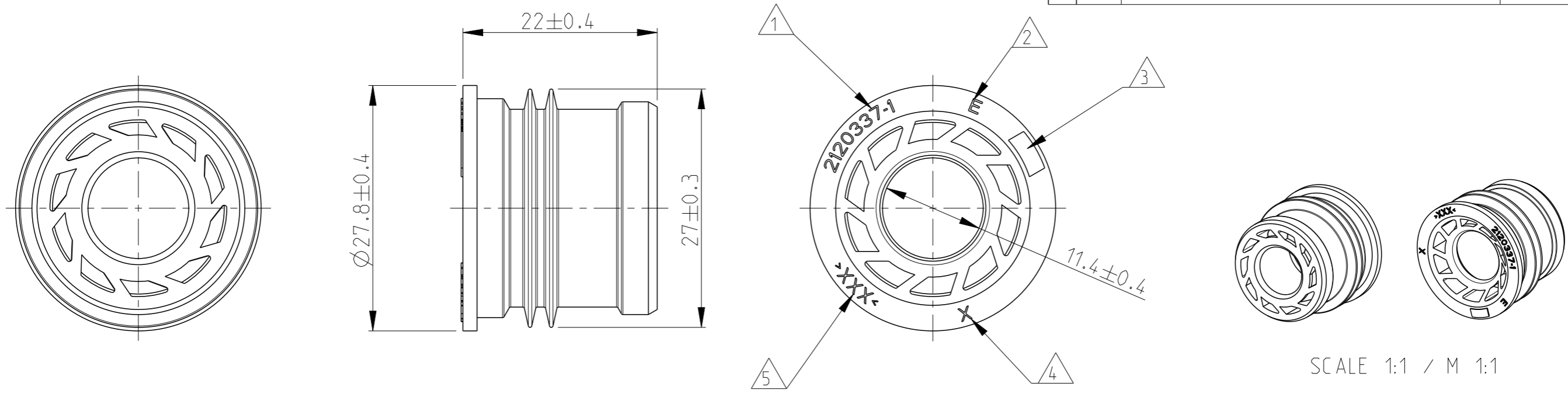


|              |     |                                  |           |     |      |
|--------------|-----|----------------------------------|-----------|-----|------|
| PROJEKT NR.: | C 2 | NOTES ADDED                      | 01JUL2011 | KHH | HEIN |
|              | D 1 | DETAILS SEE PCN E-13-000131      | 05JAN2013 | SJ  | HR   |
|              | D 2 | DETAILS SEE PCN E-13-000142      | 15JAN2013 | ER  | RH   |
|              | E 1 | WEB REWORKED PER PCN E-13-012625 | 08AUG2013 | ER  | DO   |



- 1 PARTNUMBER
- 2 REVISION STATUS
- 3 DATE WW/YY
- 4 CAVITY IDENTIFIER
- 5 MATERIAL IDENTIFIER
- 6 PACKAGING: PARTS IN PE-BAG BULK PACKED INTO FOLDING BOX

-1 AS SHOWN  
WIE GEZEICHNET

- 1 SACHNUMMER
- 2 REVISIONSSTAND
- 3 DATUM WW/JJ
- 4 NESTKENNZEICHNUNG
- 5 MATERIALKENNZEICHNUNG
- 6 VERPACKUNG: TEILE ALS SCHUETTUT IN PE-BAG IN EINEM KARTON VERPACKT

|  |                                     |   |   |                             |  |       |       |      |       |      |       |   |       |   |
|--|-------------------------------------|---|---|-----------------------------|--|-------|-------|------|-------|------|-------|---|-------|---|
| Ø13-Ø16.7  | BLACK                               | TPV (EPDM+PP)                                       | 5.21  | CABLE SEAL<br>KABELDICHTUNG | 2120337-1                                  |       |       |      |       |      |       |   |       |   |
| WIRE DIAMETER [MM]<br>KABELDURCHMESSER [mm]  | SURFACE/COLOUR<br>Oberflaeche/Farbe | MATERIAL  | WEIGHT<br>(g)   | DESCRIPTION<br>BENENNUNG    | PART-NO.<br>TEILE-Nr.                      |       |       |      |       |      |       |   |       |   |
| THIS DRAWING IS A CONTROLLED DOCUMENT.<br>DIESES ZEICHNUNGSDOKUMENT WIRD DURCH AMP INCORPORATED KONTROLLIERT.<br>ÄNDERUNGEN, DIE DEM TECHNISCHEN FORTSCHRITT DIENEN, SIND VORBEHALTEN.<br>DEN JEWEILS LETZTGÜLTIGEN ÄNDERUNGSSTAND ERFAHREN SIE AUF ANFRAGE. |                                     | DWN<br>S. HASS 30SEP2010                            | <p>CABLE SEAL<br/>KABELDICHTUNG<br/>MOTORMAN HYBRID CONNECTOR</p> |                             |  |       |       |      |       |      |       |   |       |   |
| DIMENSIONS:<br>MASSEINHEITEN:<br>[mm]  |                                     | CHK<br>K.-H. HESS 30SEP2010                         |   |                             |  |       |       |      |       |      |       |   |       |   |
| TOLERANCES UNLESS<br>OTHERWISE SPECIFIED:<br>ALLGEMEINTOLERANZEN   |                                     | APVD<br>S. HEIN 30SEP2010                           |   |                             |  |       |       |      |       |      |       |   |       |   |
| <table border="1"> <tr><td>0 PLC</td><td>±0.25</td></tr> <tr><td>1 PLC</td><td>±0.2</td></tr> <tr><td>2 PLC</td><td>±0.1</td></tr> <tr><td>3 PLC</td><td>±</td></tr> <tr><td>4 PLC</td><td>±</td></tr> <tr><td>ANGLES/WINKEL</td><td>±2°</td></tr> </table>  |                                     | 0 PLC   |   |                             |  | ±0.25 | 1 PLC | ±0.2 | 2 PLC | ±0.1 | 3 PLC | ± | 4 PLC | ± |
| 0 PLC  | ±0.25                               |   |   |                             |  |       |       |      |       |      |       |   |       |   |
| 1 PLC  | ±0.2                                |   |   |                             |  |       |       |      |       |      |       |   |       |   |
| 2 PLC  | ±0.1                                |   |   |                             |  |       |       |      |       |      |       |   |       |   |
| 3 PLC  | ±                                   |   |   |                             |  |       |       |      |       |      |       |   |       |   |
| 4 PLC  | ±                                   |   |   |                             |  |       |       |      |       |      |       |   |       |   |
| ANGLES/WINKEL  | ±2°                                 |   |   |                             |  |       |       |      |       |      |       |   |       |   |
| MATERIAL   | FINISH/OBERFLAECHEN/FARBE           | APPLICATION SPEC<br>VERARBEITUNGSSPEZ.<br>114-91067 | SIZE<br>A 3   | CAGE CODE<br>00779          | DRAWING NO.<br>ZEICHNUNGS-NR.<br>G=2120337 |       |       |      |       |      |       |   |       |   |
|  |                                     | WEIGHT<br>GEWICHT                                   | RESTRICTED TO<br>NUR FUER   |                             |  |       |       |      |       |      |       |   |       |   |
|  |                                     | Customer Drawing                                    | /KUNDENZEICHNUNG  |                             | SCALE<br>MASSSTAB 2:1                      |       |       |      |       |      |       |   |       |   |
|  |                                     |   | SHEET<br>BLATT 1  | OF<br>VON 1                 | REV<br>E1                                  |       |       |      |       |      |       |   |       |   |

单击下面可查看定价，库存，交付和生命周期等信息

[>>TE Connectivity\(泰科\)](#)