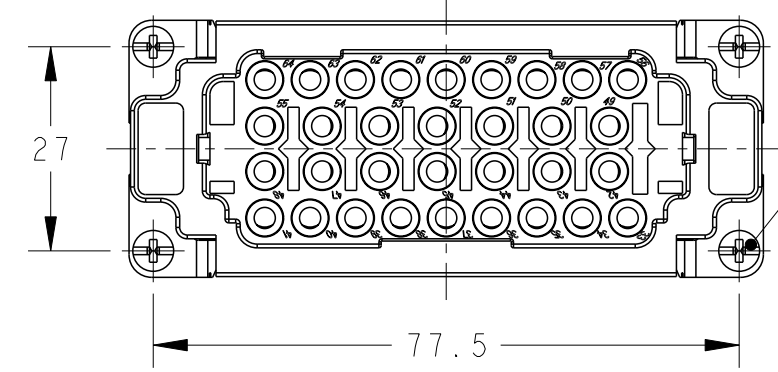
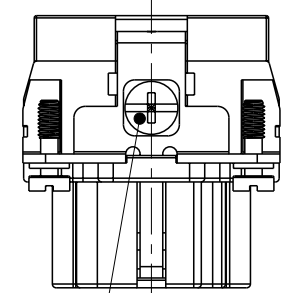
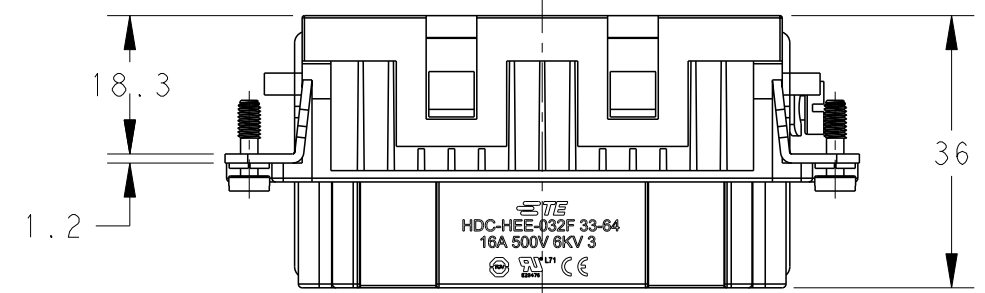
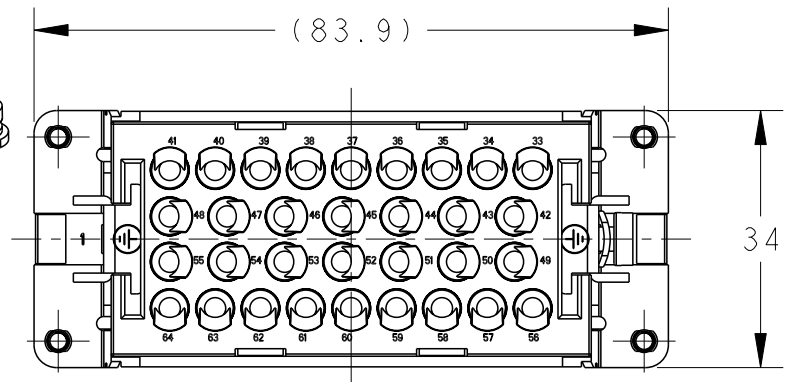
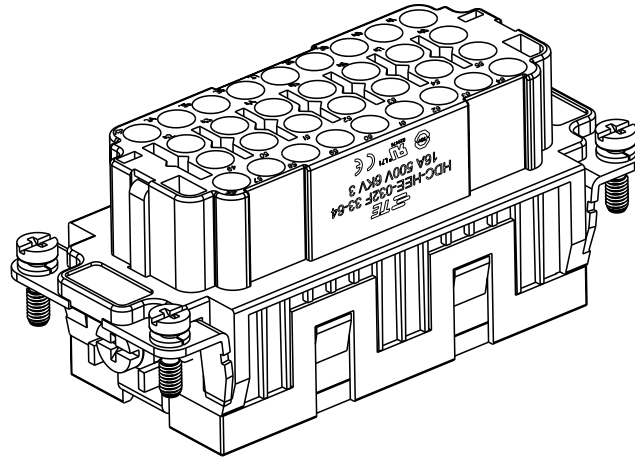


THIS DRAWING IS UNPUBLISHED. RELEASED FOR PUBLICATION 20
 © COPYRIGHT 20 BY - ALL RIGHTS RESERVED.

REVISIONS					
P	LTR	DESCRIPTION	DATE	DWN	APVD
	A	INITIAL	03APR2015	DW	CW
	B	ECR-15-014907	14OCT2015	DL	CW
	C	ECR-21-108559	06AUG2021	BS	CW



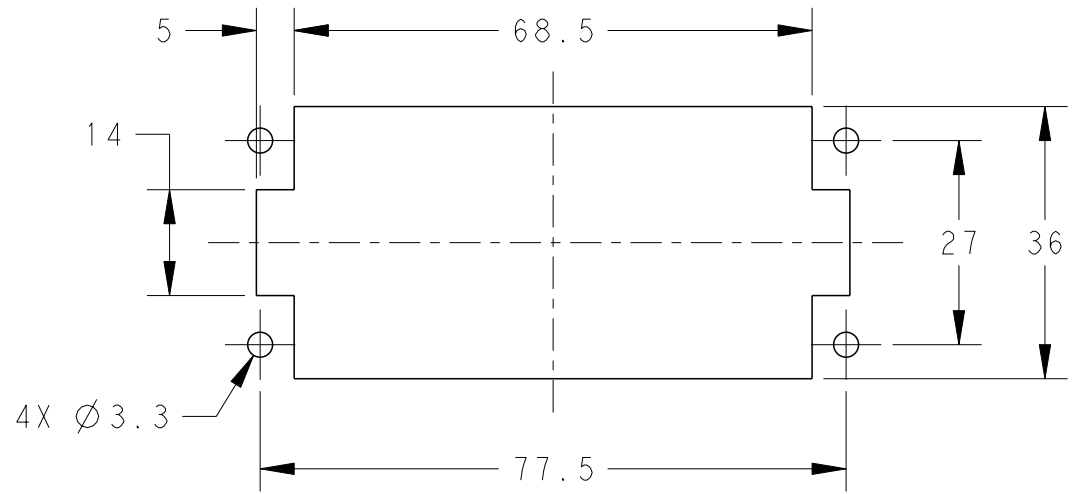
M4 THREAD
 RECOMMENDED
 TIGHTENING TORQUE
 1.2Nm

4X M3 THREAD, RECOMMENDED
 TIGHTENING TORQUE 0.5Nm

NOTES:
 1. TECHNICAL CHARACTERISTICS:
 INSULATION MATERIAL: PC
 RATED VOLTAGE: 500V
 RATED CURRENT: 16A
 INSULATION RESISTANCE: >=400MΩ
 RATED IMPULSE VOLTAGE: 6KV
 POLLUTION DEGREE: 3
 FLAMMABILITY: UL94V-0
 MATING CYCLES: 500 CYCLES
 WIRE RANGE: 0.14-4 mm² (26-12 AWG)
 CONTACT TYPE: CRIMP CONTACT
 2. CONTACT NEED TO BE ORDERED SEPARATELY.
 (ORDER No. REFER TO DRAWING:T20300X20XX000)

注释:
 1. 技术参数:
 绝缘材料: PC
 额定电压: 500V
 额定电流: 16A
 绝缘电阻: >=400MΩ
 额定脉冲电压: 6KV
 污染等级: 3
 阻燃等级: UL94V-0
 插拔次数: 500次
 接线范围: 0.14-4 mm² (26-12 AWG)
 接线类型: 冷压接
 2. 端子需要单独订购.
 (订货号参考图面: T20300X20XX000)

PANEL CUT FOR INSERTS FOR USE
 WITHOUT HOODS/ HOUSINGS



THIS DRAWING IS A CONTROLLED DOCUMENT.	
DIMENSIONS: mm	TOLERANCES UNLESS OTHERWISE SPECIFIED:
	0 PLC ±-
	1 PLC ±-
	2 PLC ±-
	3 PLC ±-
	4 PLC ±-
	ANGLES ±-
MATERIAL	FINISH
-	-

DWN	01APR2015
David Wang	
CHK	01APR2015
Chris Wang	
APVD	01APR2015
Xiang Xu	
PRODUCT SPEC	108-106137
APPLICATION SPEC	114-106137
WEIGHT	-
Customer Drawing	

HEE-032-F 33-64	T2050642201-000
DESCRIPTION	PART NUMBER



NAME HEE-032-F 33-64			
SIZE	CAGE CODE	DRAWING NO	RESTRICTED TO
A3	00779	T2050642201000	-
SCALE		SHEET	REV
1:1		1 OF 1	C

Printed on 10 Aug 2021 11:34 (China Standard Time) from TE236667

单击下面可查看定价，库存，交付和生命周期等信息

[>>TE Connectivity\(泰科\)](#)