

THIS DRAWING IS UNPUBLISHED.

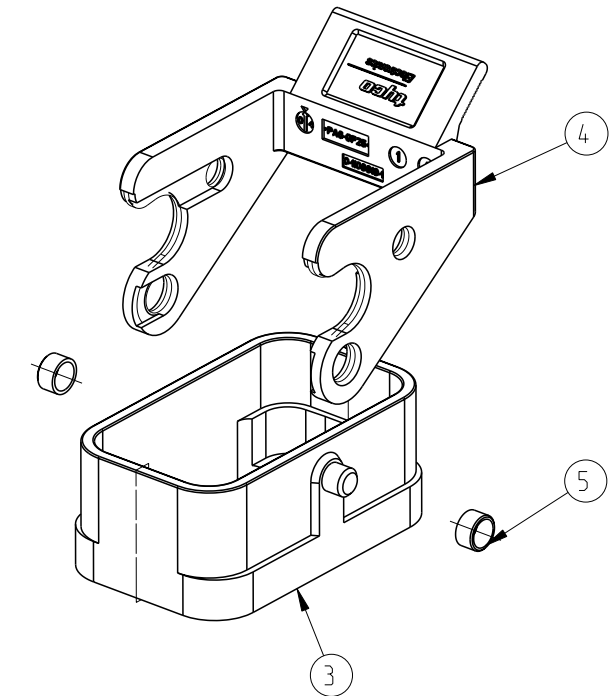
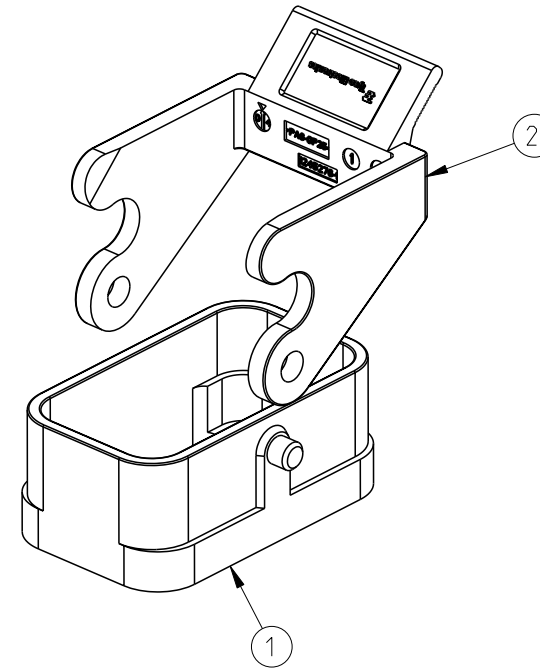
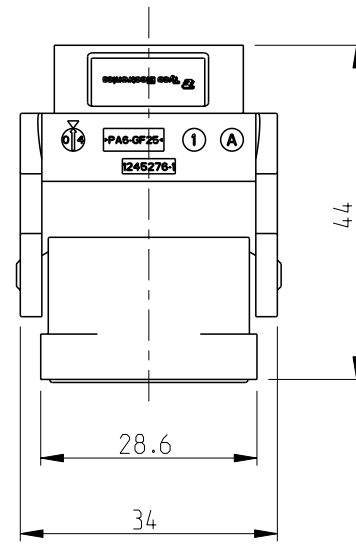
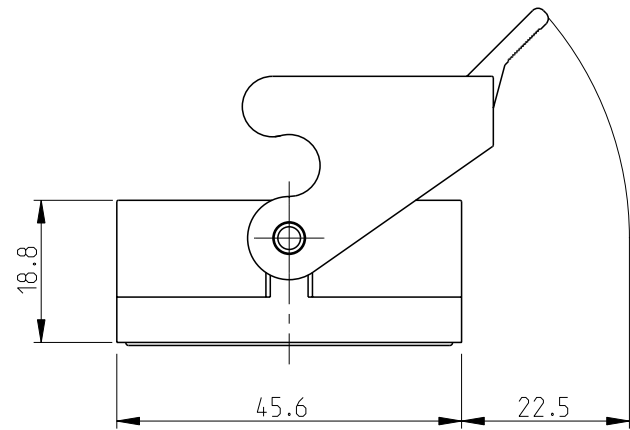
RELEASED FOR PUBLICATION

© COPYRIGHT 2000 BY -

ALL RIGHTS RESERVED.

REVISIONS

P	LTR	DESCRIPTION	DATE	DWN	APVD
	B3	RELEASED AS PER ECR-16-016780	16SEP17	NG	MKO

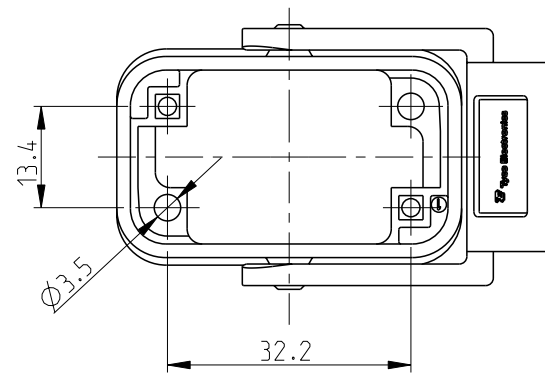


PN 0-1
AS SHOWN

~~PN 0-2~~
AS SHOWN

NOTES

1 PACKAGING
PACKAGING QUANTITY: 5 PIECES



QTY. 0-2	QTY. 0-1	DESCRIPTION	MATERIAL	COLOR	NOTE	ITEM
		2 - BUSH	BRASS	-	-	5
		1 - SIDE CLIP REINFORCED	-	-	-	4
		1 - SURFACE MOUNTED HOUSING BOTTOM ENTRY	PA6.6-GF25	SILVER	EMV-SHIELDING	3
		1 - SIDE CLIP	PA6.6-GF25	BLACK		2
		1 - SURFACE MOUNTED HOUSING BOTTOM ENTRY	PA6.6-GF25	BLACK		1

HG-Q AG-LB

HG-EMV-Q.AG-LB

THIS DRAWING IS A CONTROLLED DOCUMENT.		DWN Schneider 18.11.04	TE Connectivity															
DIMENSIONS: mm		CHK Schneider 18.11.04																
TOLERANCES UNLESS OTHERWISE SPECIFIED: n.ISO 8015: n.ISO 2768-MH-E: n.DIN 16901-120		APVD T.Schnurpfeil 18.11.04	NAME ASSY SURFACE MOUNTED HOUSING SERIES HG-Q															
<table border="0"> <tr><td>0 PLC</td><td>±</td></tr> <tr><td>1 PLC</td><td>±</td></tr> <tr><td>2 PLC</td><td>±</td></tr> <tr><td>3 PLC</td><td>±</td></tr> <tr><td>4 PLC</td><td>±</td></tr> <tr><td>ANGLES</td><td>±</td></tr> </table>		0 PLC	±	1 PLC	±	2 PLC	±	3 PLC	±	4 PLC	±	ANGLES	±	PRODUCT SPEC 108-74XXX	SIZE A3	CAGE CODE 00779	DRAWING NO C-1103072	RESTRICTED TO -
0 PLC	±																	
1 PLC	±																	
2 PLC	±																	
3 PLC	±																	
4 PLC	±																	
ANGLES	±																	
MATERIAL 1		FINISH -3	APPLICATION SPEC 114-74XXX	WEIGHT 0.XXX KG	SCALE 1:1	SHEET 1 OF 1												
CUSTOMER DRAWING			REV B3															

单击下面可查看定价，库存，交付和生命周期等信息

[>>TE Connectivity\(泰科\)](#)