

THIS DRAWING IS UNPUBLISHED.

RELEASED FOR PUBLICATION

---

© COPYRIGHT - By -

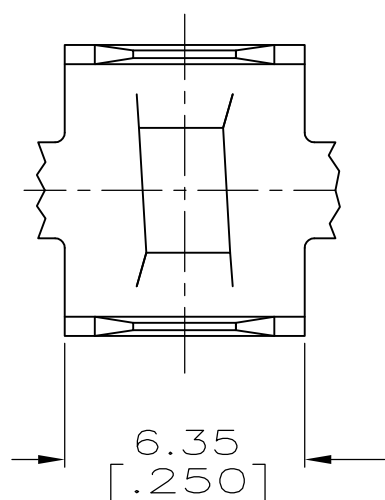
ALL RIGHTS RESERVED.

LOC  
AF

DIST  
50

REVISIONS

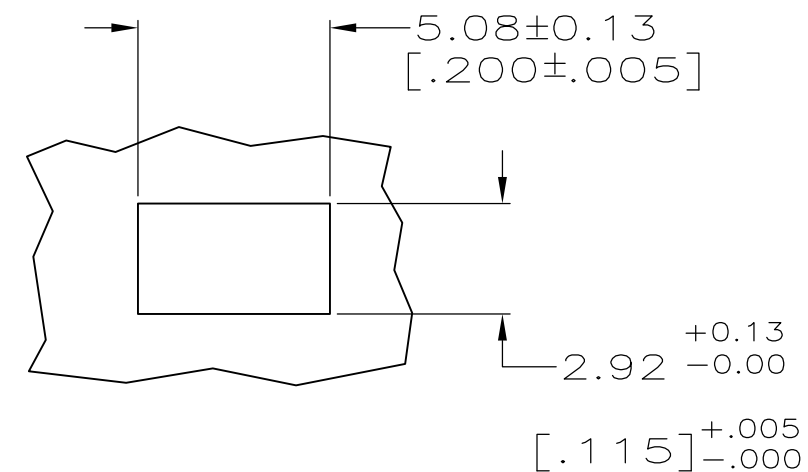
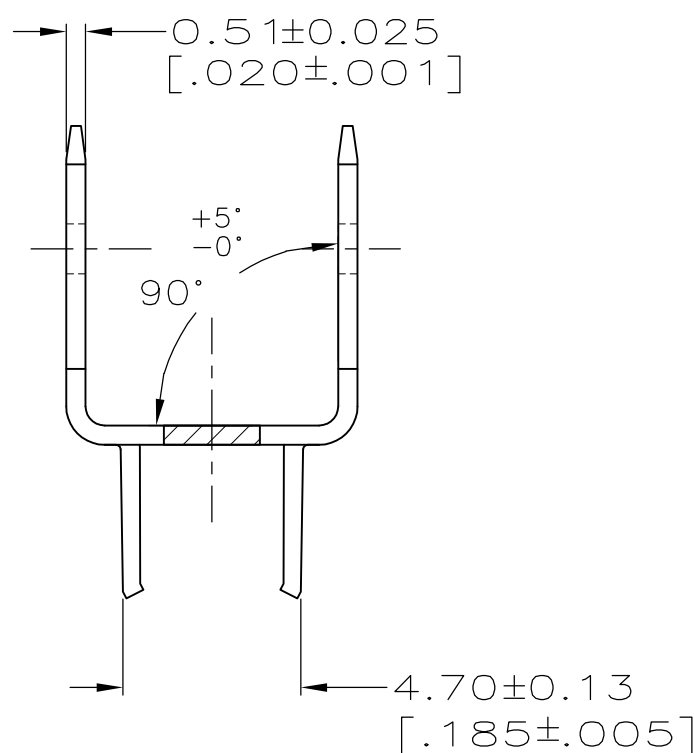
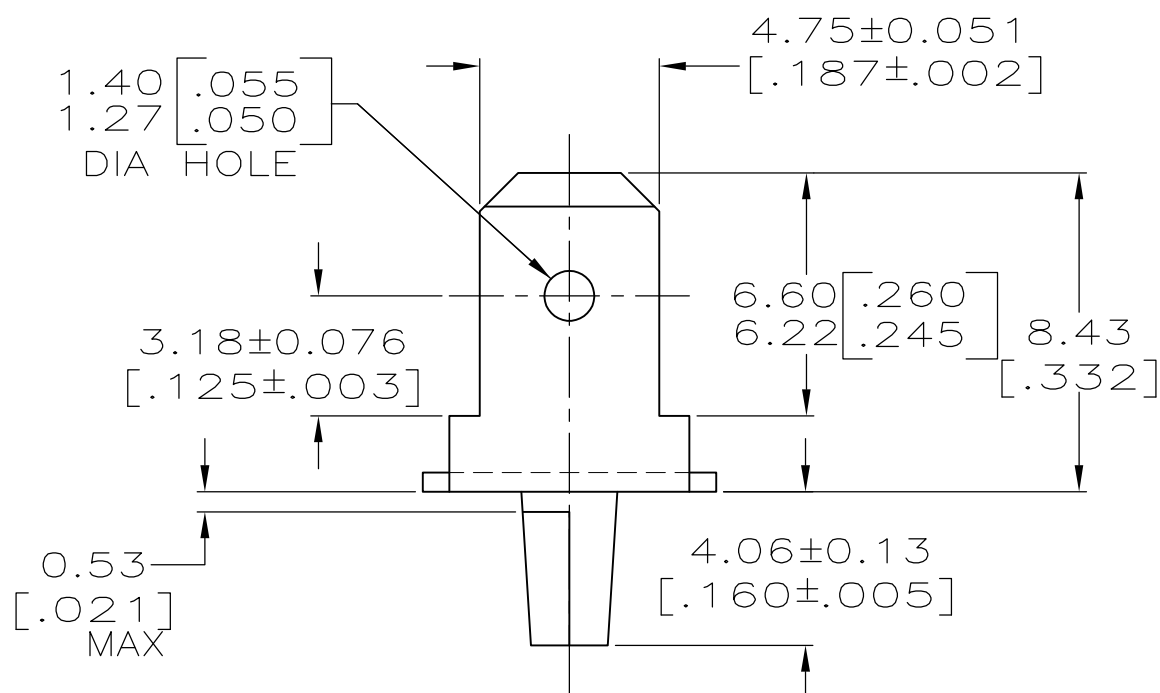
P	LTR	DESCRIPTION	DATE	DWN	APVD
	F	REVISED PER ECR-13-011489	02DEC2013	KH	PD



1 CONTINUOUS STRIP ON REELS.



0.00381 [.000150] MIN PRE-TIN OVER  
0.00254 [.000100] MIN COPPER.



HOLE SIZE  
FOR 1.57 [.062]  
THICK BOARD

63224-1  
PART NO.

THIS DRAWING IS A CONTROLLED DOCUMENT.		DWN JR RUTH 2/18/98	TE Connectivity			
DIMENSIONS: mm [INCHES]		CHK MS FEHER 2/18/98				
TOLERANCES UNLESS OTHERWISE SPECIFIED:		APVD J WORMAN 2/18/98	NAME TAB, DUAL, FASTON, 4.75 [.187] SERIES			
0 PLC ± - 1 PLC ± - 2 PLC ± 0.25 [.010] 3 PLC ± - 4 PLC ± - ANGLES ± -		PRODUCT SPEC -	RESTRICTED TO -			
MATERIAL BRASS		FINISH 2	APPLICATION SPEC -	SIZE A3	CAGE CODE 00779	DRAWING NO C-63224
CUSTOMER DRAWING			WEIGHT -	SCALE 5:1	SHEET 1 OF 1	REV F

单击下面可查看定价，库存，交付和生命周期等信息

[>>TE Connectivity\(泰科\)](#)