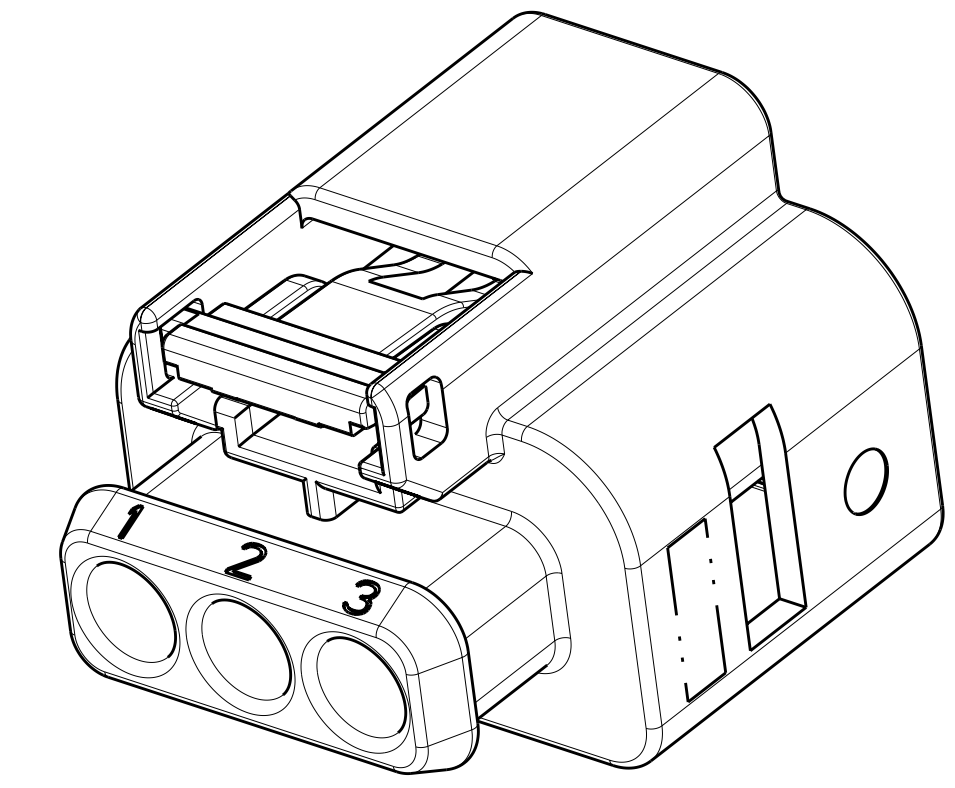
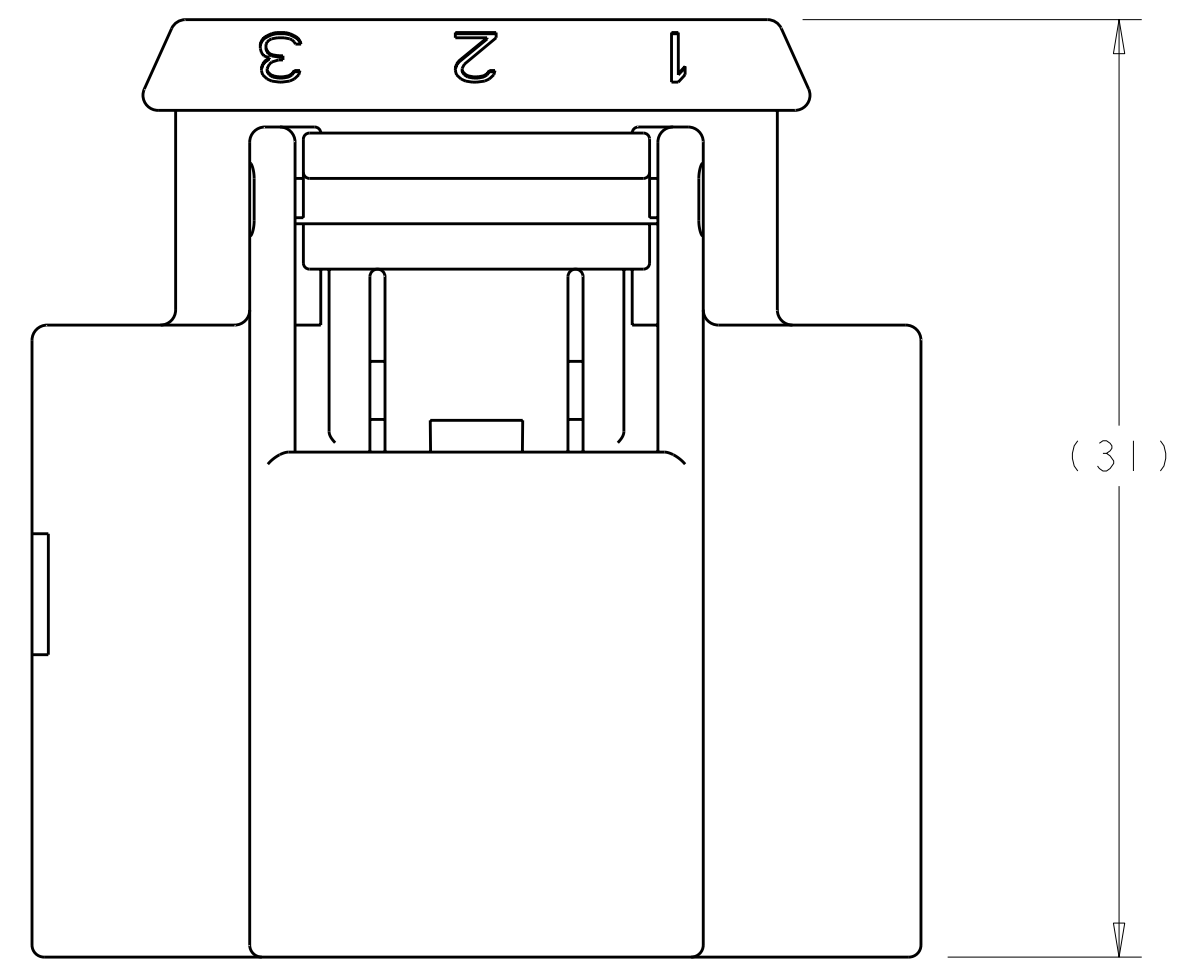
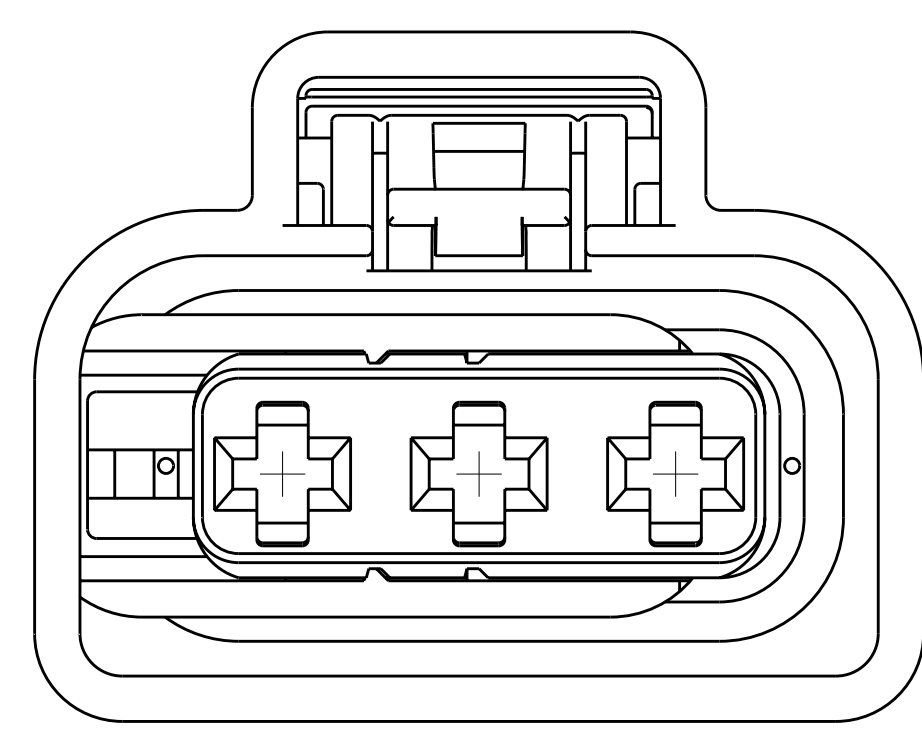
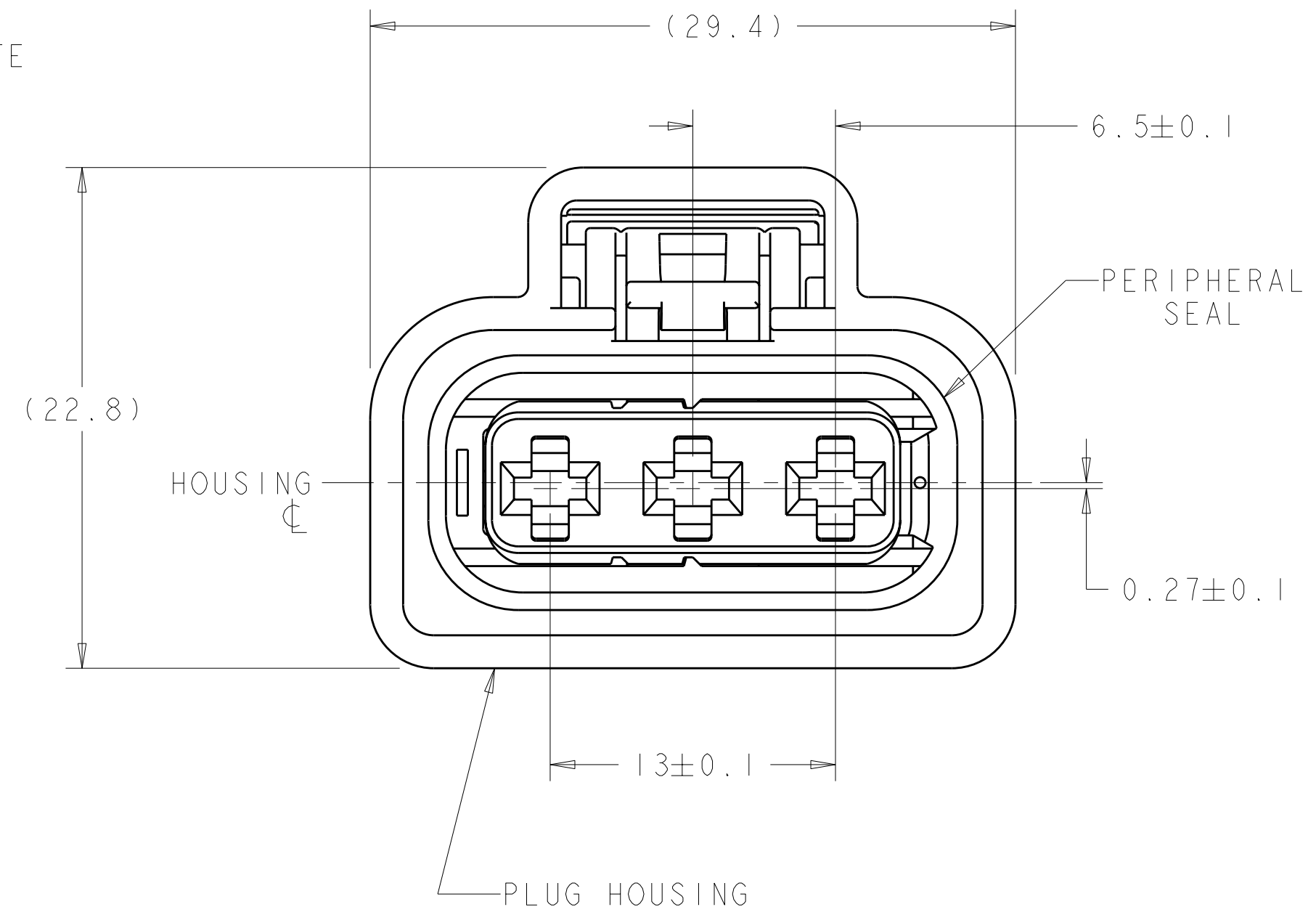
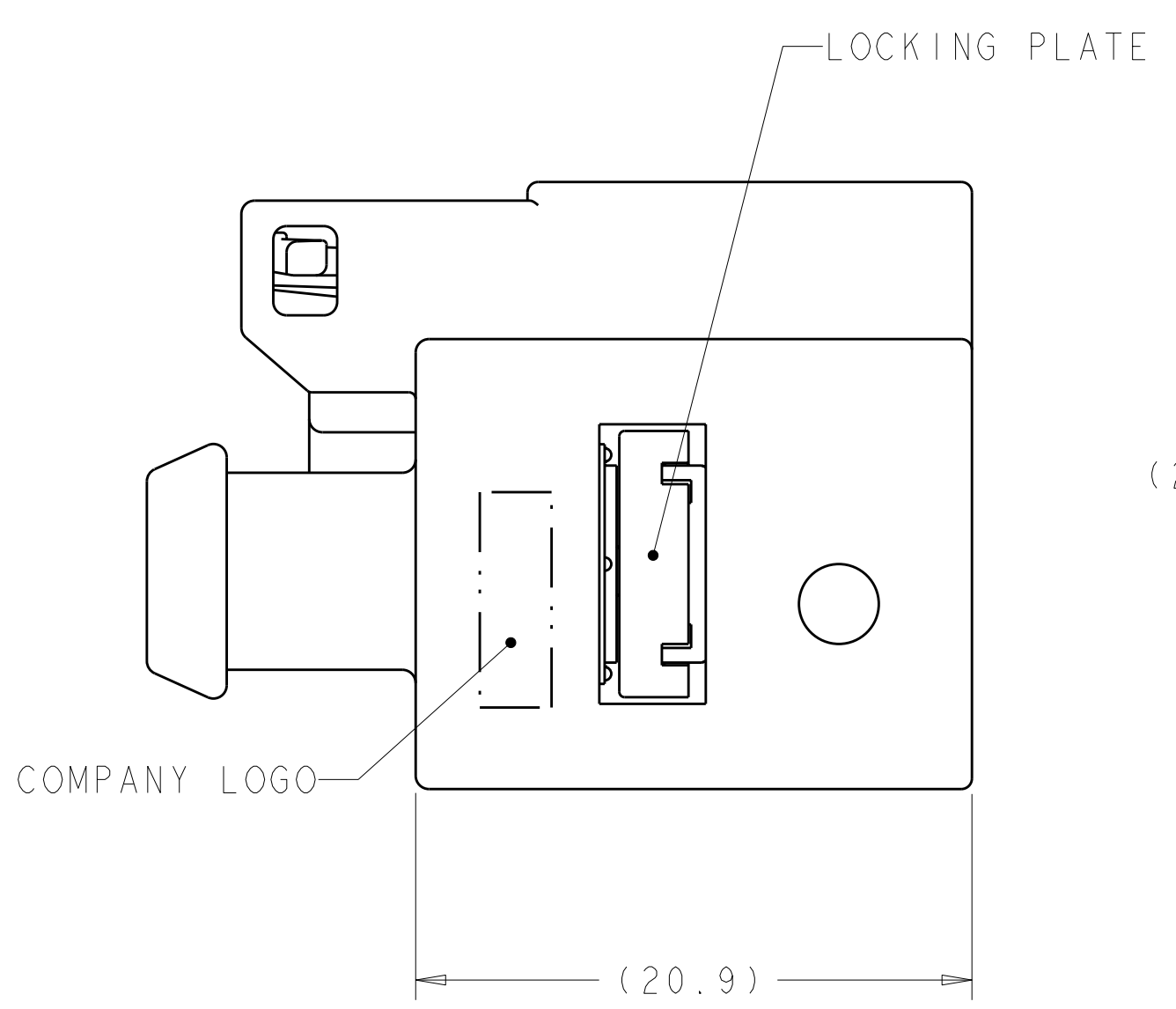


LOC	DIST	REVISIONS			
AA	00	REV	DATE	BY	APPD
		6	10FEB2010	DD	TW
		A	24MAR2010	DD	TW

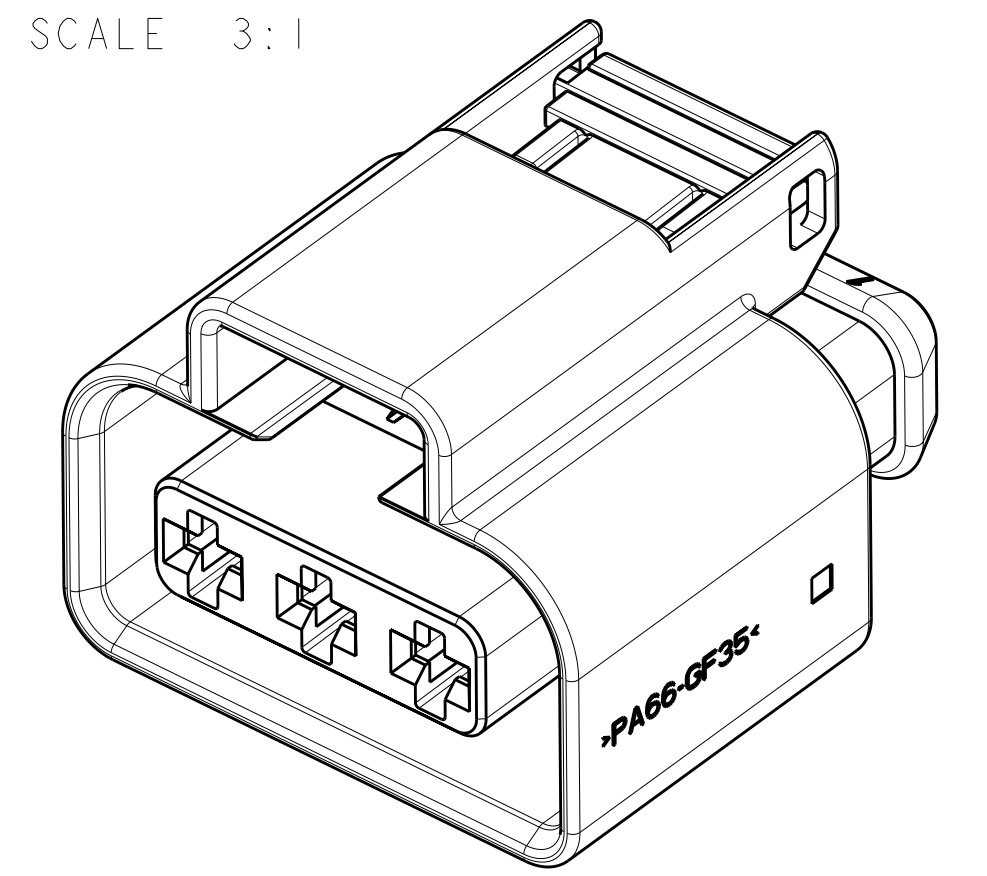
- △ MATERIAL: HOUSING - POLYAMIDE MOLDING COMPOUND, 35% GLASS FILLED
 COLOR: BLACK.
 LOCKING PLATE - POLYESTER MOLDING COMPOUND, 15% GLASS
 FILLED, COLOR: YELLOW.
 PERIPHERAL SEAL - VMO SILICONE RUBBER, 40 SHORE,
 COLOR: BURNT ORANGE.
- CONTACT CIRCUITS DESIGNED TO RECEIVE TYCO ELECTRONICS (TE) 2.8 MCP RECEPTACLES AND WIRE SEALS. REFER TO TE C1355036. WIRE SIZES ACCOMODATED BY THIS DESIGN RANGE FROM 18AWG (0.8mm²) TO 14AWG (2.0mm²).
 - NOTE DELETED.
 - MATES WITH 3 POSITION CAP ASSEMBLY, TE PN 1326744-1, AND WIRE DRESS, TE PN 1326464-1.
 - MATES WITH A CONNECTOR THAT CONFORMS TO THE REQUIREMENTS DEFINED IN SAE J2577 SEP 05. (TESTING UTILIZED AG PLATED PLUG RECEPTACLES AND SN PLATED CAP BLADES.)



SCALE 3:1



(LOCKING PLATE SHOWN IN PRE-LOCK POSITION)



SCALE 3:1

(LOCKING PLATE SHOWN IN LOCKED POSITION)

1326460-1
 PART NUMBER

DIMENSIONS: mm 		TOLERANCES UNLESS OTHERWISE SPECIFIED: 0 PLC ± 1 PLC ±0.3 2 PLC ±0.2 3 PLC ± 4 PLC ± ANGLES ± FINISH ±		DWN B. HOLTZCLAW 17APR2006 CHK T. WOJTACKI 17APR2006 APVD T. WOJTACKI 17APR2006		Tyco Electronics Harrisburg, PA 17105-3608	
MATERIAL: △ FINISH:		WEIGHT:		PRODUCT SPEC: 108-2430 APPLICATION SPEC:		NAME: ASSEMBLY, PLUG, SEALED, 3 POSITION MCP 2.8 SIZE: A CAGE CODE: 100779 DRAWING NO: C=1326460	
CUSTOMER DRAWING				SCALE: 4:1		SHEET 1 OF 1 REV A	

单击下面可查看定价，库存，交付和生命周期等信息

[>>TE Connectivity\(泰科\)](#)