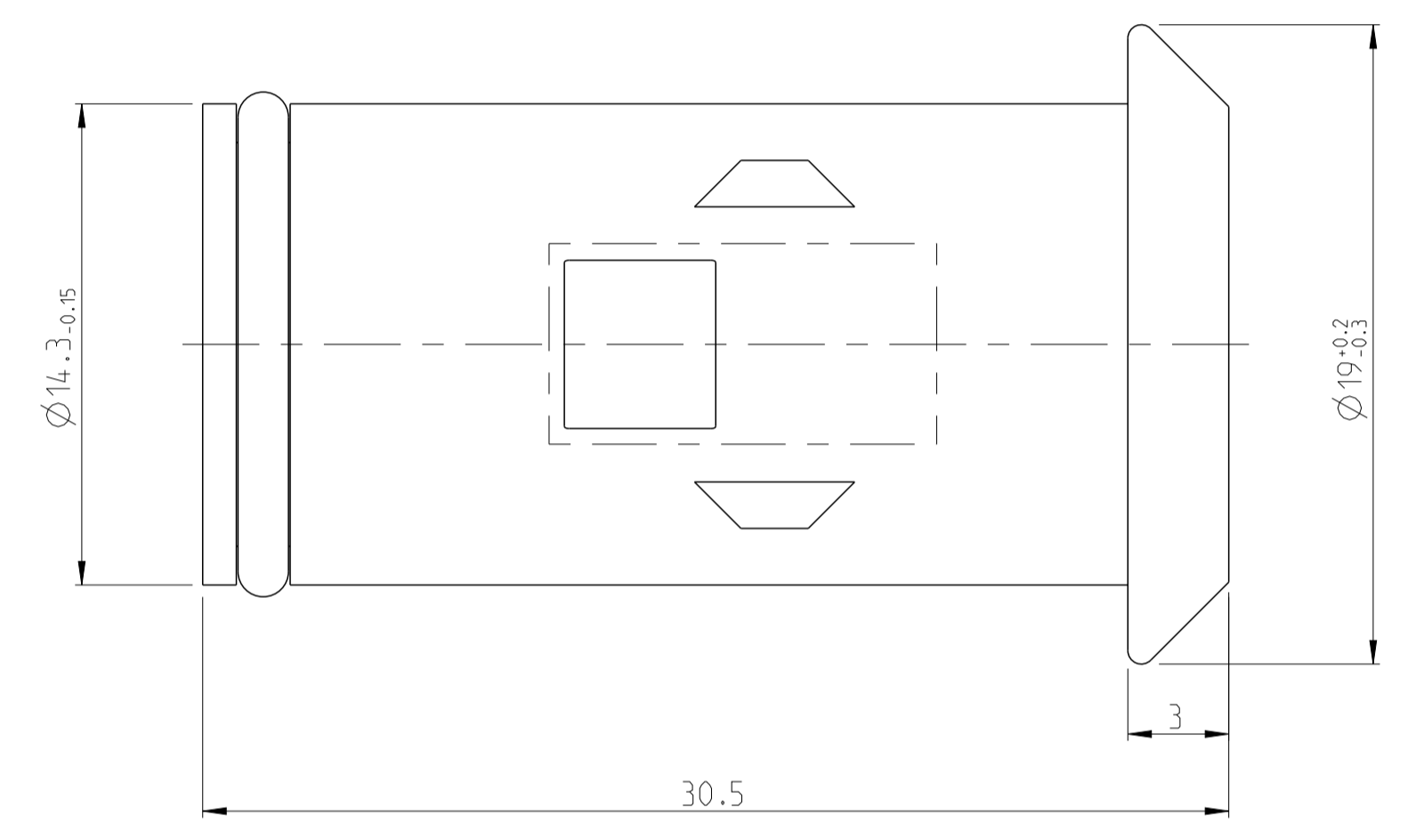
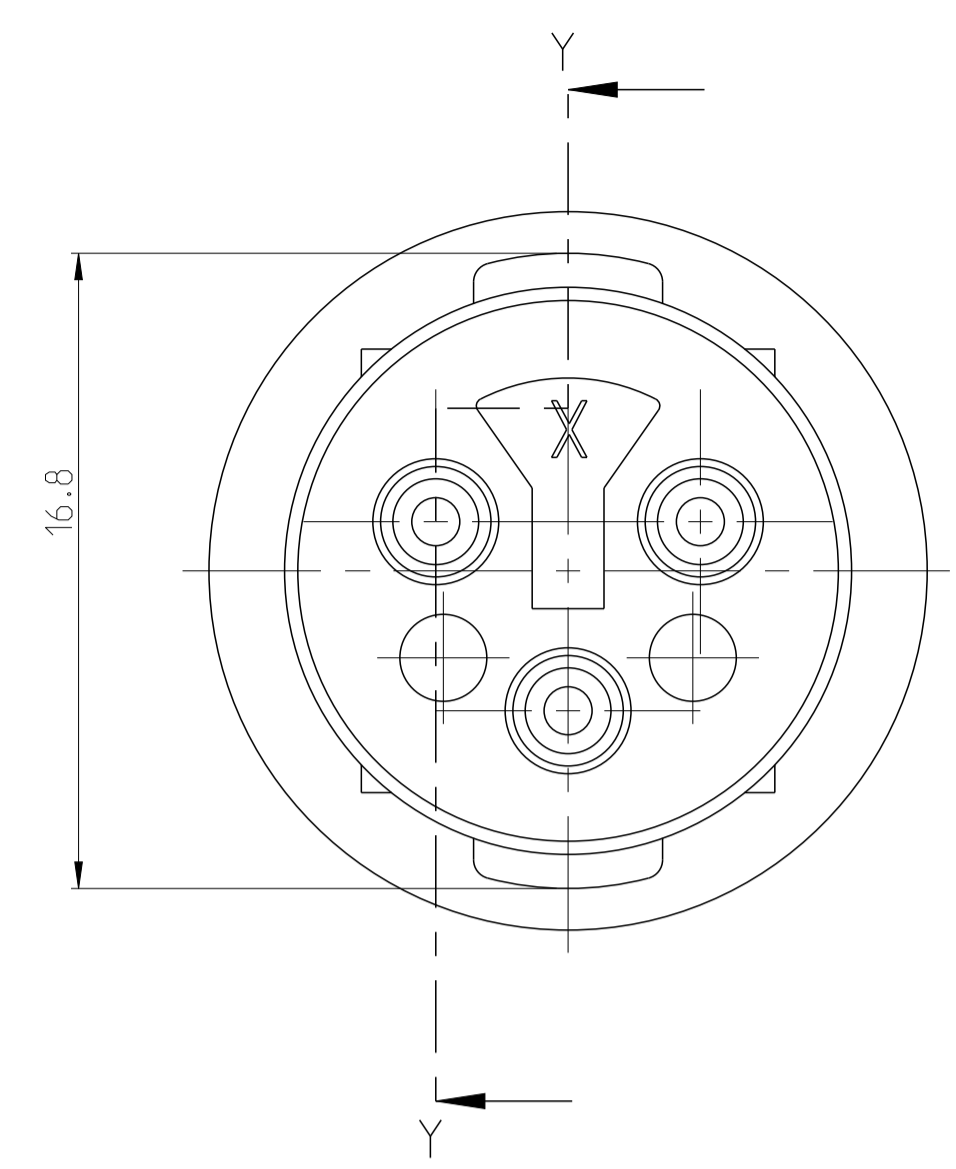
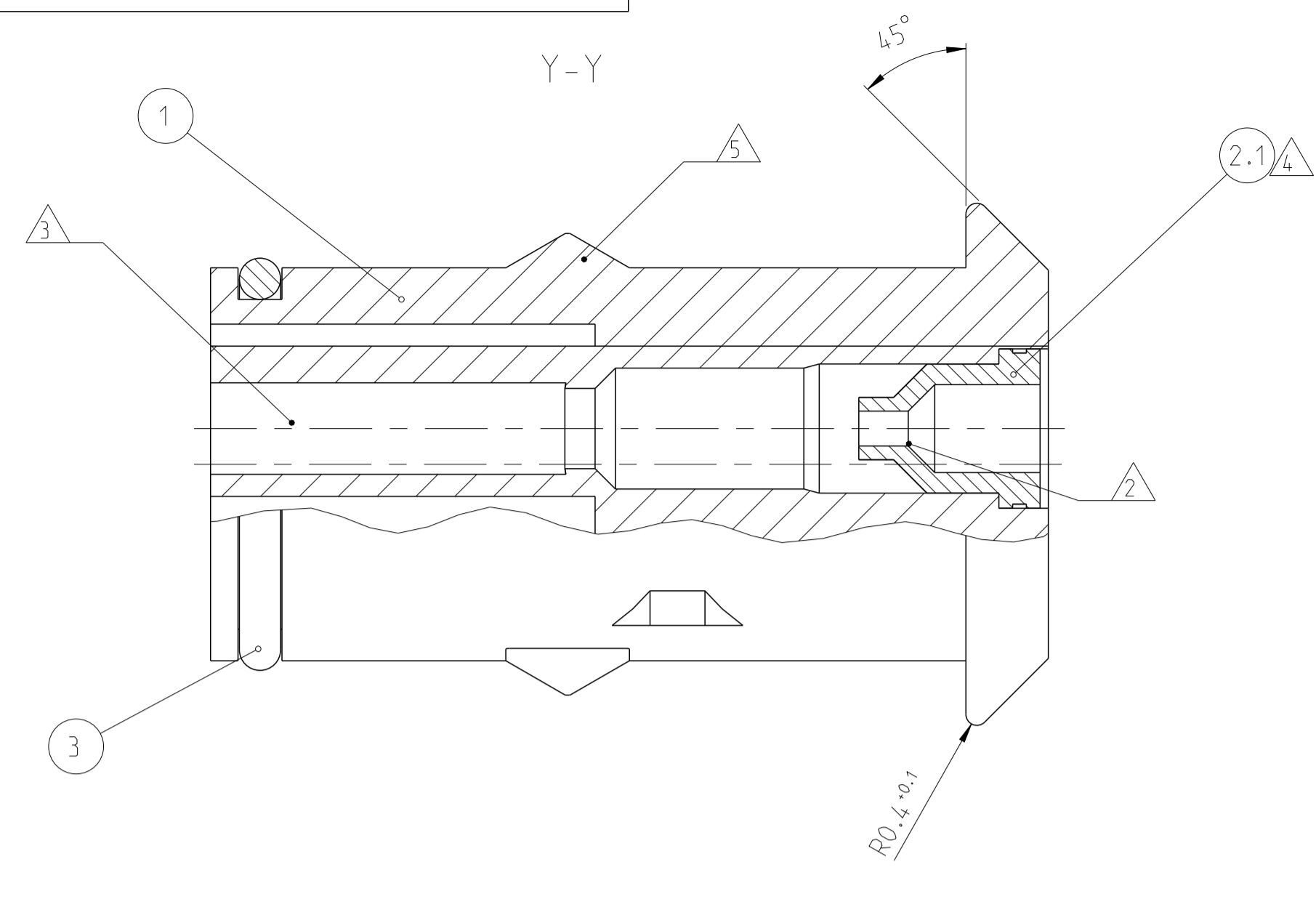


LOC	DIST	REVISIONS			
FM	-	REV	DATE	BY	APPV
		H1	SEE PCN EG00-0656-97	28MAY197	CD AM
		H2	ECR-12-013691	02AUG2012	GB SZG
		H3	ECR-15-002210	05MAR2015	GB SZG
		H4	ECR-16-009474	21JUL2016	LSZ GB

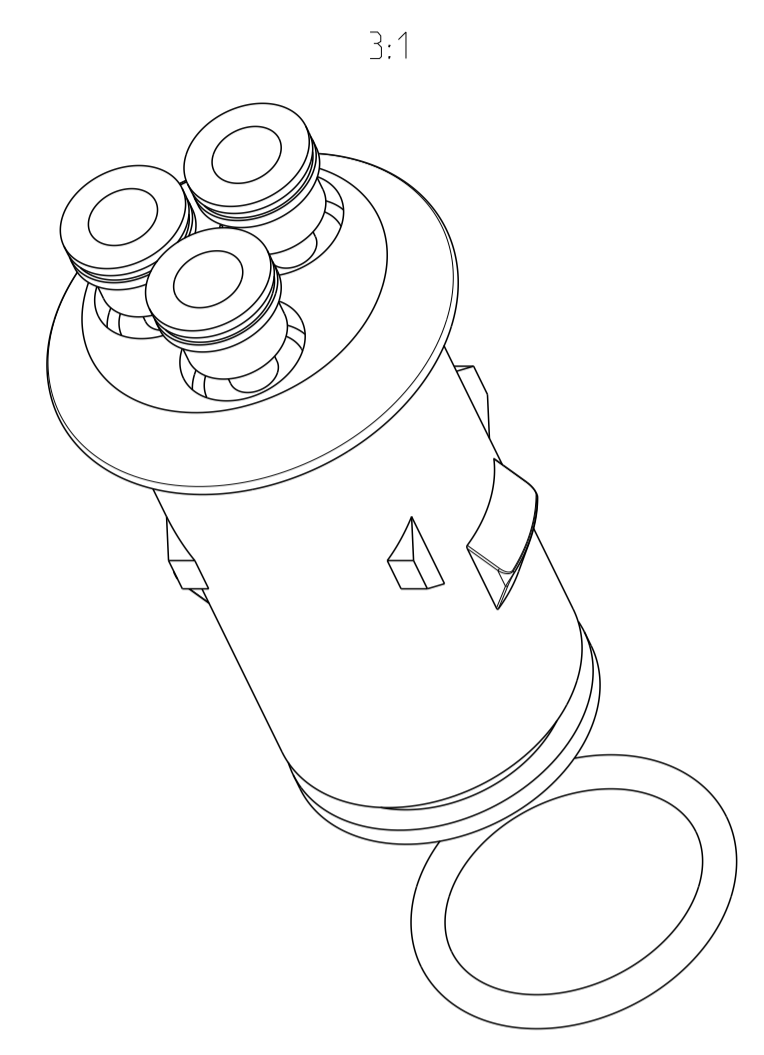
-4 wie gezeichnet AS SHOWN



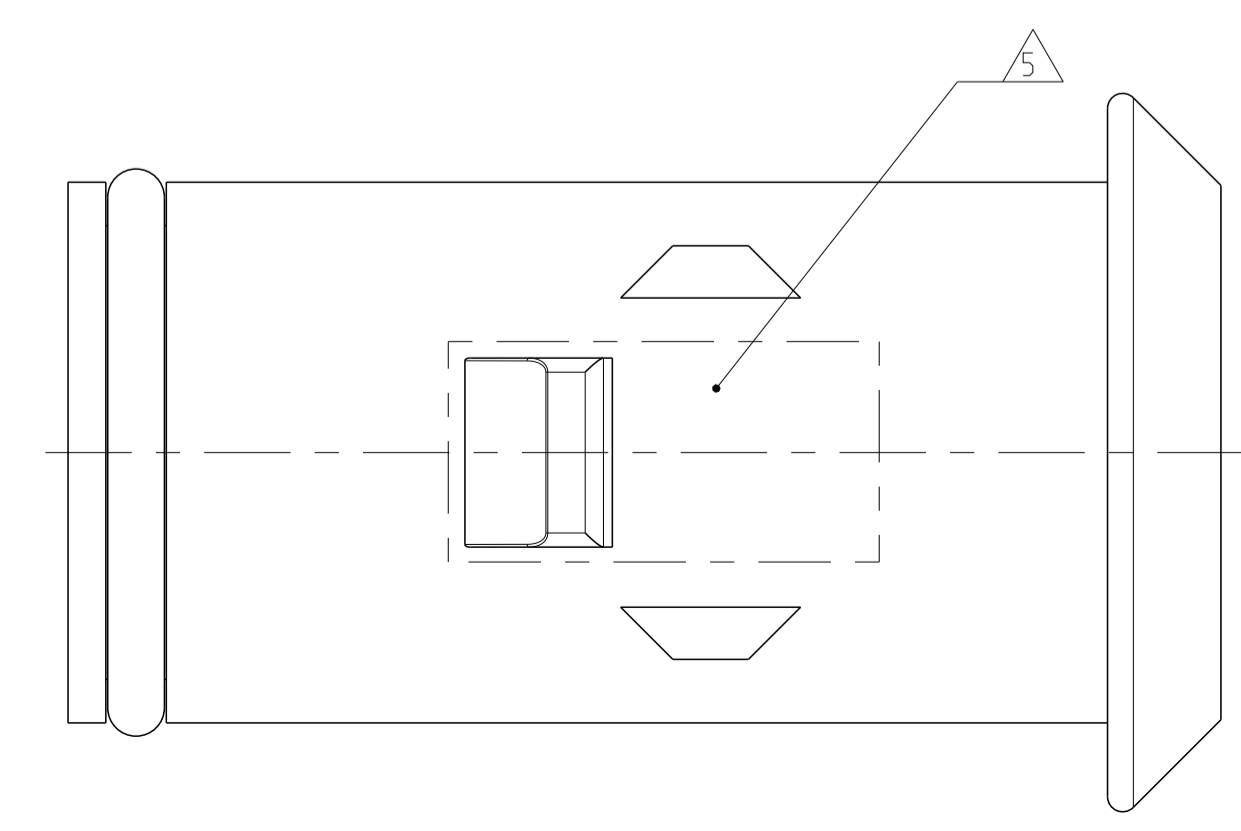
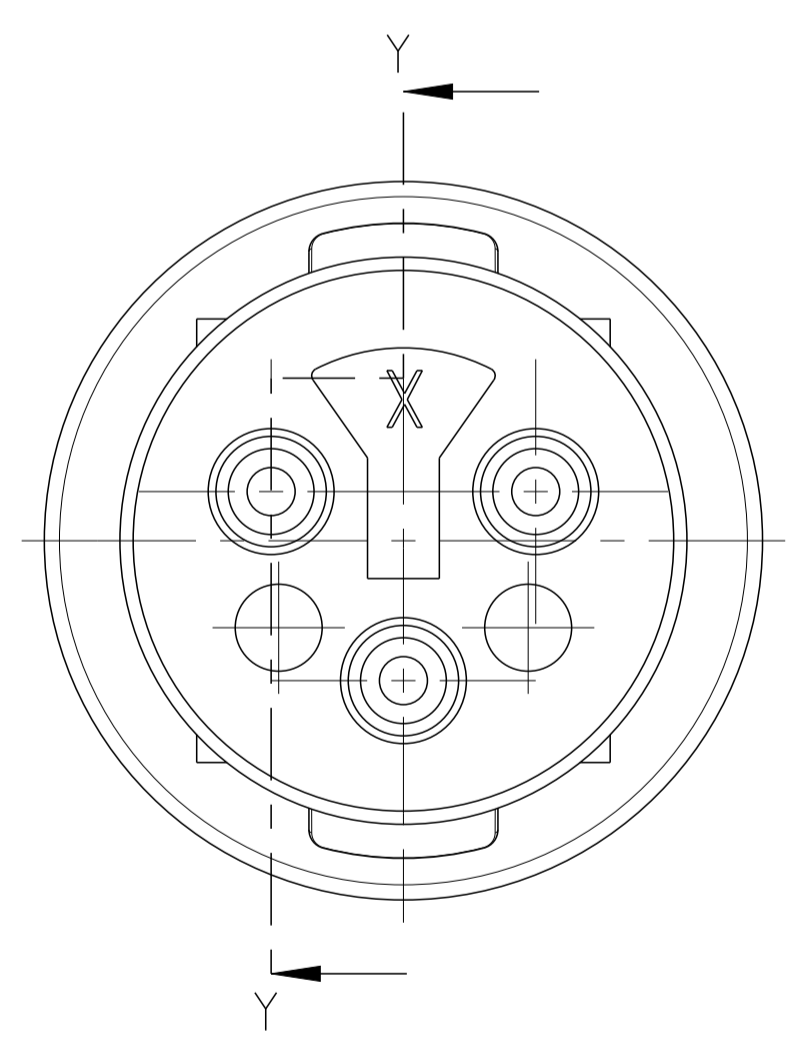
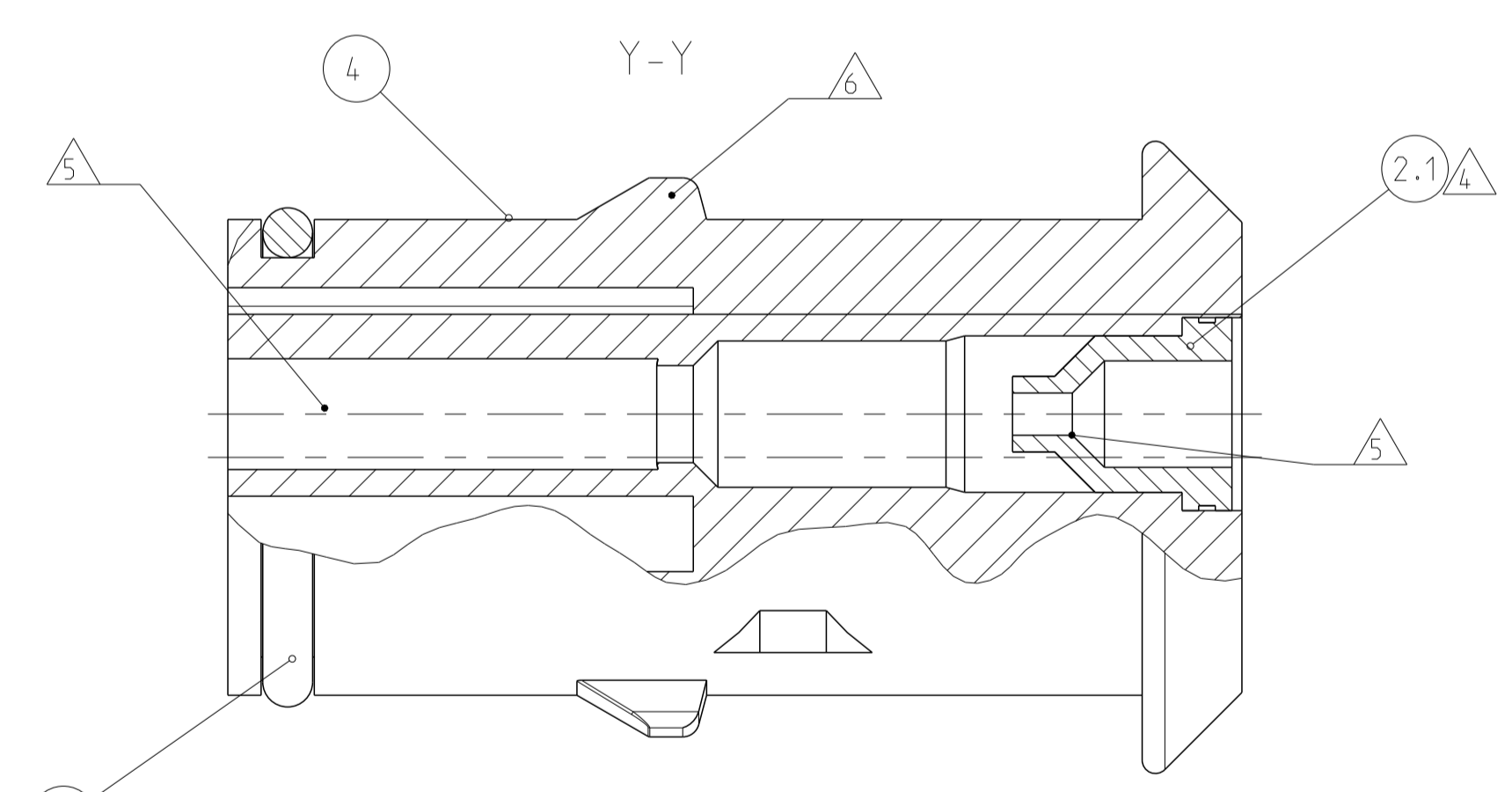
H2 H3

Bemerkungen / Notes:

- Teile in Lupolenbeutel luftdicht verpackt (500/1000 Sctk.)
Parts must be airtight packaged in bags of lupolen (500/1000 pieces)
- Geschmiert mit Gleitmittel Hellerine (Fa. Hellermannnyton) direkt vor dem Einsetzen des Kontaktes
Lubricated with Hellerine 625 (Hellermannnyton) right before contact insertion
- Kammer für Buschsenkontakt CIC, C1-2 od. Type III
Cavity for socket contact CIC, C1-2 or Type III
- Dichtungstülle für Litzenleitung mit Isolationsdurchmesser von 2.3-3.0mm
Seal for wire with isolationdiameter 2.3 - 3.0 mm
- Dichtungstülle für Litzenleitung mit Isolationsdurchmesser von 1.3-2.3 mm
Seal for wire with isolationdiameter 1.3 - 2.3 mm
- Keying Form with the Mating Connector: Click Stop
- Keying Form with the Mating Connector: Locking



1-...-2 wie gezeichnet AS SHOWN



ACHTUNG !
Eine einwandfreie Funktion dieser Stecker kann nur bei Verwendung von Original-TEC-Teilen und genauer Einhaltung der Verarbeitungsanforderungen - schriftlich garantiert werden.
CAUTION !

A faultless operation of this connectors can be guaranteed only if original TEC parts are used and exact observance of processing specifications.

REV	DESCRIPTION	MATERIAL	COLOUR	QTY.	ITEM NO
2.1	SEAL	NEOPRENE	GREY	3	2.1
3	O-RING	NEOPRENE	BLACK	1	3
3	POS. SOCKET HOUSING	PA 6.6 GFV13	GREEN	1	4
2.2	SEAL	NEOPRENE	BLACK	3	2.2
1	O-RING	NEOPRENE	BLACK	1	3
3	POS. SOCKET HOUSING	PA 6.6 GFV13	NATURAL	1	4
2.1	SEAL	NEOPRENE	GREY	3	2.1
1	O-RING	NEOPRENE	BLACK	1	3
3	POS. SOCKET HOUSING	PA 6.6 GFV13	NATURAL	1	4
2.2	SEAL	NEOPRENE	BLACK	3	2.2
1	O-RING	NEOPRENE	BLACK	1	3
3	POS. SOCKET HOUSING	PA 6.6 GFV13	YELLOW	1	4
2.2	SEAL	NEOPRENE	BLACK	3	2.2
1	O-RING	NEOPRENE	BLACK	1	3
3	POS. SOCKET HOUSING	PA 6.6 GFV13	YELLOW	1	4
2.1	SEAL	NEOPRENE	GREY	3	2.1
1	O-RING	NEOPRENE	BLACK	1	3
3	POS. SOCKET HOUSING	PA 6.6 GFV13	YELLOW	1	4
2.1	SEAL	NEOPRENE	GREY	3	2.1
1	O-RING	NEOPRENE	BLACK	1	3
3	POS. SOCKET HOUSING	PA 6.6 GFV13	BLACK	1	4
1	O-RING	NEOPRENE	BLACK	1	3
3	POS. SOCKET HOUSING	PA 6.6 GFV13	BLACK	1	4
2.2	SEAL	NEOPRENE	BLACK	3	2.2
1	O-RING	NEOPRENE	BLACK	1	3
3	POS. SOCKET HOUSING	PA 6.6 GFV13	BLACK	1	4
2.1	SEAL	NEOPRENE	GREY	3	2.1
1	O-RING	NEOPRENE	BLACK	1	3
3	POS. SOCKET HOUSING	PA 6.6 GFV13	YELLOW	1	4
2.1	SEAL	NEOPRENE	GREY	3	2.1
1	O-RING	NEOPRENE	BLACK	1	3
3	POS. SOCKET HOUSING	PA 6.6 GFV13	RED	1	4
2.1	SEAL	NEOPRENE	GREY	3	2.1
1	O-RING	NEOPRENE	BLACK	1	3
3	POS. SOCKET HOUSING	PA 6.6 GFV13	BLACK	1	4
1	O-RING	NEOPRENE	BLACK	1	3
3	POS. SOCKET HOUSING	PA 6.6 GFV13	BLACK	1	4
1	O-RING	NEOPRENE	BLACK	1	3
3	POS. SOCKET HOUSING	PA 6.6 GFV13	BLACK	1	4
1	O-RING	NEOPRENE	BLACK	1	3
3	POS. SOCKET HOUSING	PA 6.6 GFV13	BLACK	1	4
1	O-RING	NEOPRENE	BLACK	1	3
3	POS. SOCKET HOUSING	PA 6.6 GFV13	BLACK	1	4
1	O-RING	NEOPRENE	BLACK	1	3
3	POS. SOCKET HOUSING	PA 6.6 GFV13	BLACK	1	4

THIS DRAWING IS A CONTROLLED DOCUMENT. DWG: 210CT1982
 CHK: ADAMSKI 250CT1982
 WENDLING

TE Connectivity

NAME: 3POS. ECONOSEAL SOCKET-HOUSING ASS'Y

SIZE: A1 CAGE CODE: 00779 DRAWING NO: 826886

SCALE: 5:1 SHEET: 1 OF 1 REV: H4

单击下面可查看定价，库存，交付和生命周期等信息

[>>TE Connectivity\(泰科\)](#)