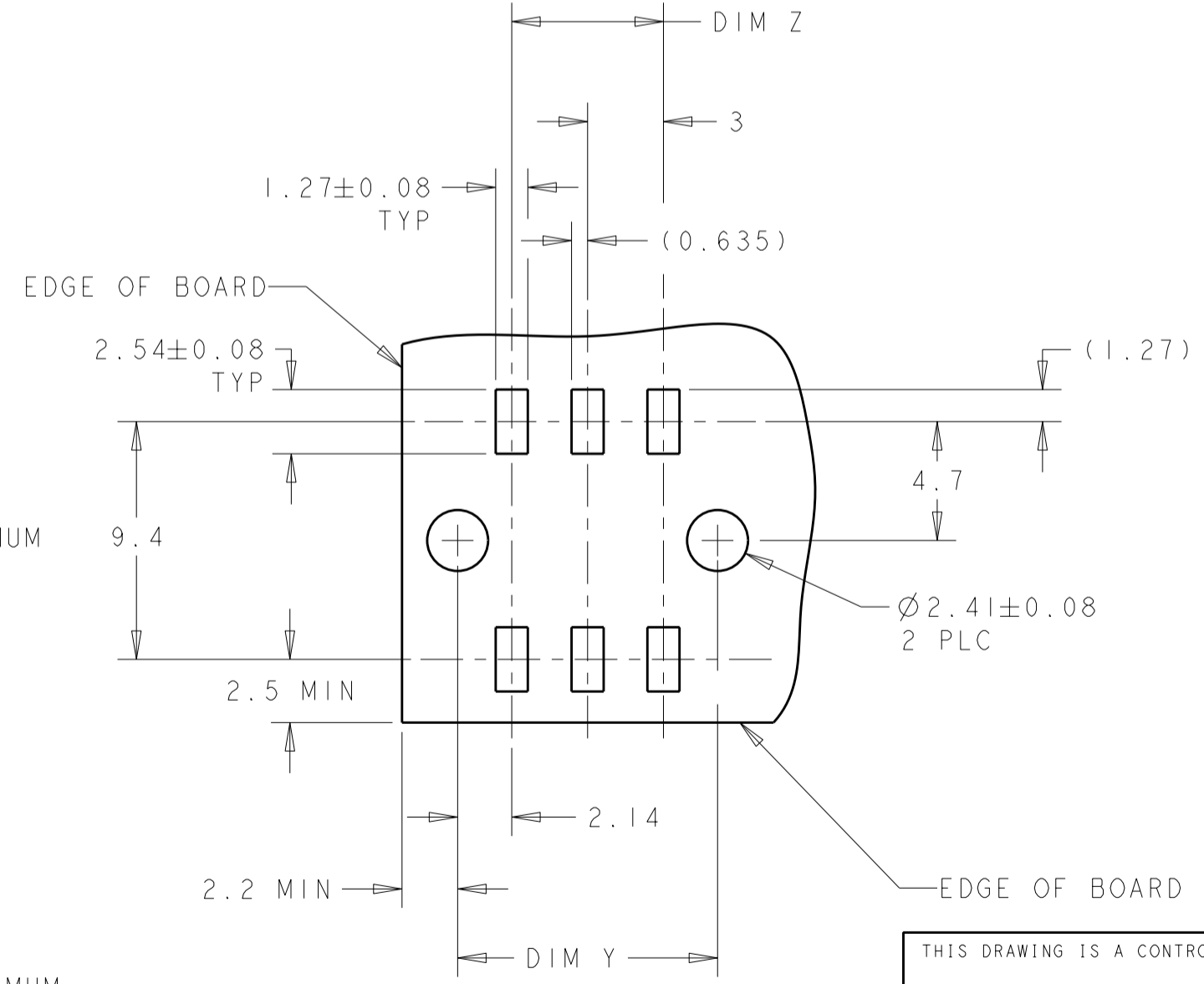
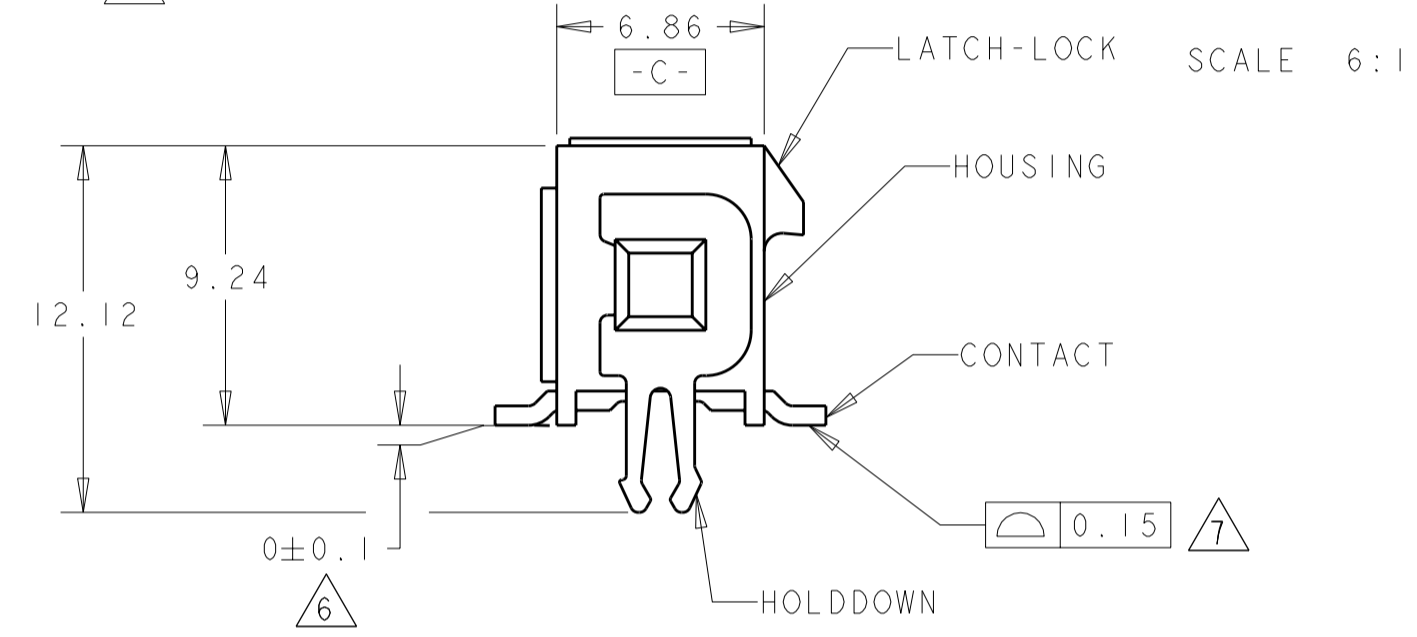
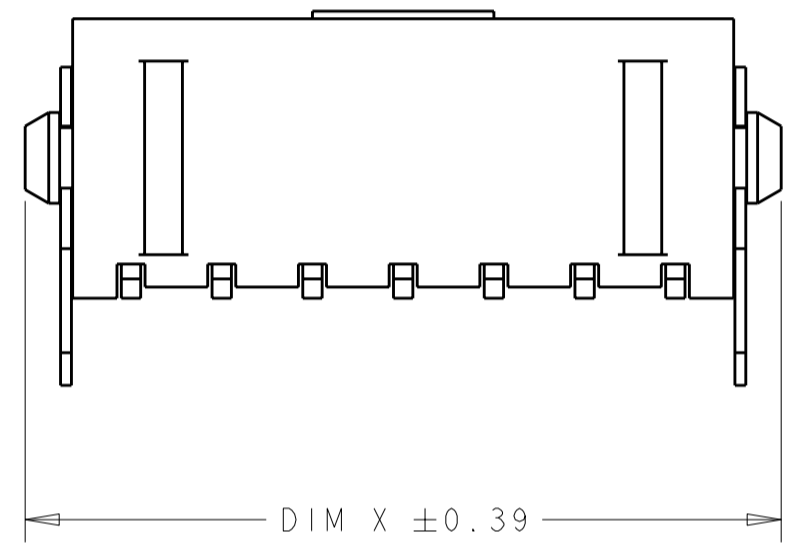
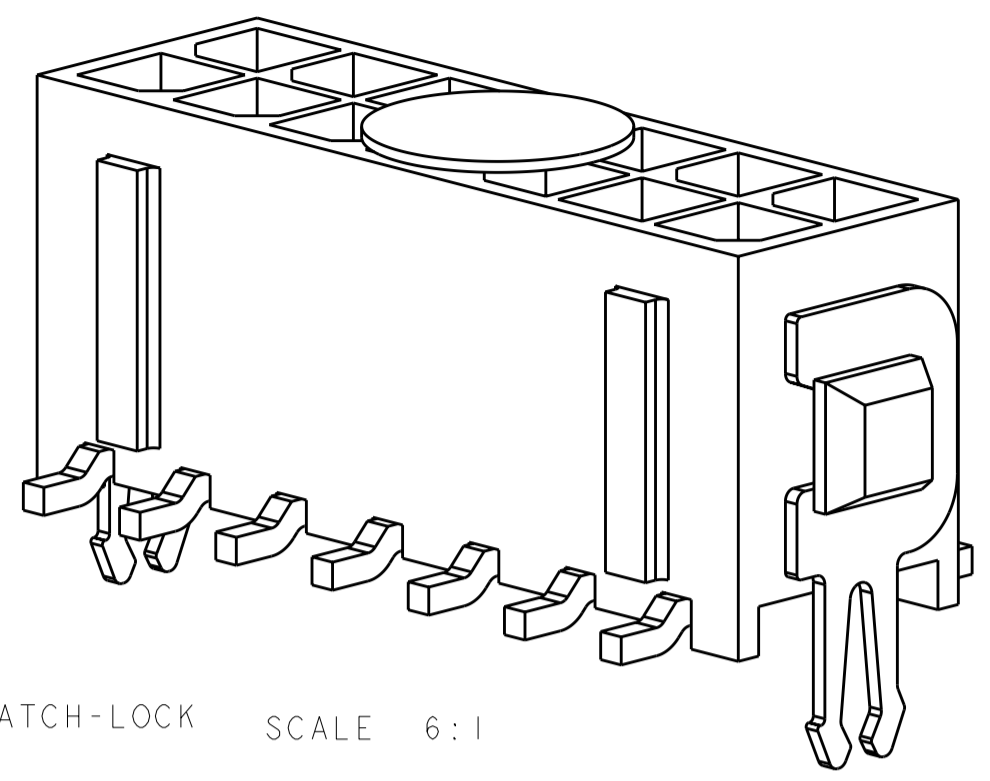
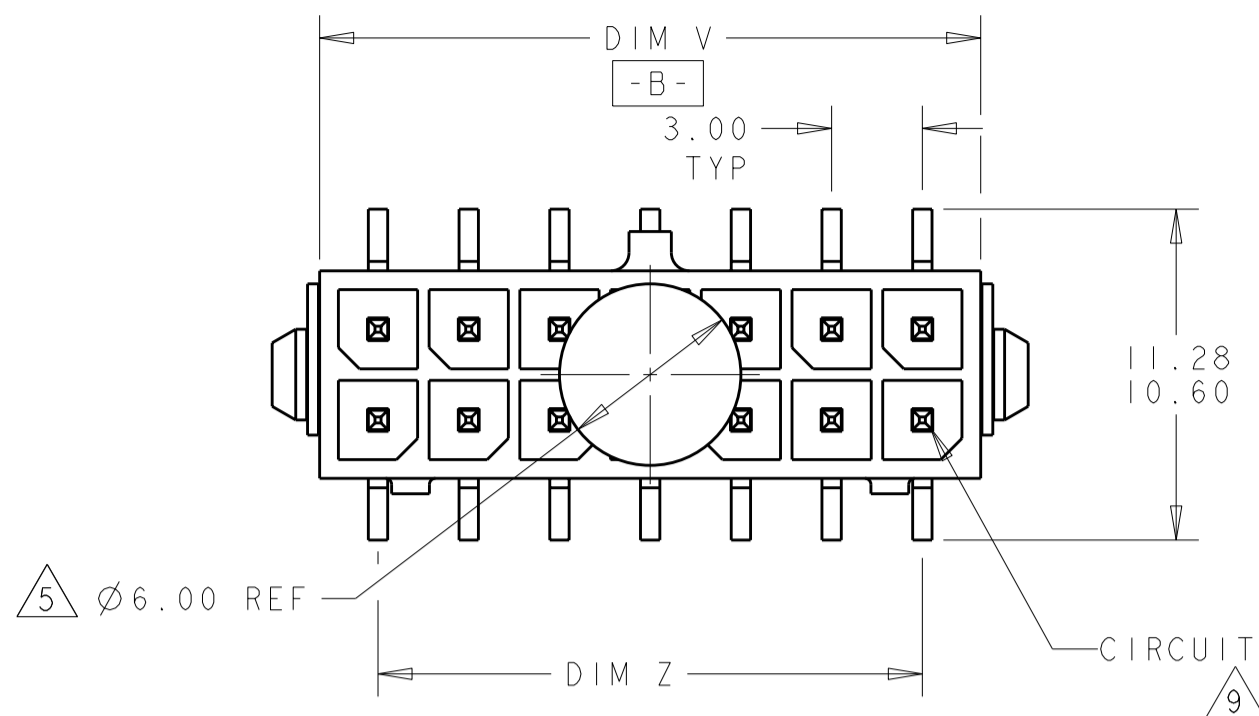


THIS DRAWING IS UNPUBLISHED. RELEASED FOR PUBLICATION 20
 © COPYRIGHT 20 BY - ALL RIGHTS RESERVED.

REVISIONS						
LOC	DIST	P	LTR	DESCRIPTION	DATE	APVD
CM	00		HI	REVISED PER ECO-12-008993	24MAY2012	KH TM



- ① MATERIAL;
CONTACTS - BRASS.
HOUSING - UL 94V-0 RATED HIGH TEMP NYLON, COLOR; BLACK.
HOLDDOWNS - PHOSPHOR BRONZE.
- ② PLATING;
CONTACTS - 0.38µm MINIMUM GOLD OVER 2.54µm MINIMUM NICKEL ON MATING AREA. 2.54µm TIN-LEAD MINIMUM OVER 2.54µm MINIMUM ON SOLDER TAILS.
HOLDDOWNS - 2.54µm TIN-LEAD.
- ④ RECOMMENDED PCB BOARD THICKNESS OF 1.57.
- ⑤ KAPTON VACUUM PICK UP BUTTON.
- ⑥ DIMENSION APPLIES TO SOLDER TAIL SURFACES AND STANDOFF SURFACES.
- ⑦ ALL SOLDER TAILS.
- ⑧ PLATING;
CONTACTS - 0.38µm MINIMUM GOLD OVER 2.54µm MINIMUM NICKEL ON MATING AREA. 2.54µm MATTE TIN MINIMUM OVER 2.54µm MINIMUM ON SOLDER TAILS.
HOLDDOWNS - 2.54µm MATTE TIN.
- ⑨ CIRCUIT NUMBER 1 IS LOCATED AT THE BOTTOM RIGHT WITH THE LATCH-LOCK ON TOP LOOKING INTO THE CAVITIES

FINISH	DIM V	DIM Y	DIM Z	DIM X	NO. OF POSN.	PART NUMBER
⑧	36.86	37.30	33.00	40.00	24	5-794634-4
⑧	33.86	34.30	30.00	37.00	22	5-794634-2
⑧	30.86	31.30	27.00	34.00	20	5-794634-0
⑧	27.86	28.30	24.00	31.00	18	4-794634-8
⑧	24.86	25.30	21.00	28.00	16	4-794634-6
⑧	21.86	22.30	18.00	25.00	14	4-794634-4
⑧	18.86	19.30	15.00	22.00	12	4-794634-2
⑧	15.86	16.30	12.00	19.00	10	4-794634-0
⑧	12.86	13.30	9.00	16.00	8	3-794634-8
⑧	9.86	10.30	6.00	13.00	6	3-794634-6
⑧	6.86	7.30	3.00	10.00	4	3-794634-4
⑧	3.86	4.30	-	7.00	2	3-794634-2
②	36.86	37.30	33.00	40.00	24	2-794634-4
②	33.86	34.30	30.00	37.00	22	2-794634-2
②	30.86	31.30	27.00	34.00	20	2-794634-0
②	27.86	28.30	24.00	31.00	18	1-794634-8
②	24.86	25.30	21.00	28.00	16	1-794634-6
②	21.86	22.30	18.00	25.00	14	1-794634-4
②	18.86	19.30	15.00	22.00	12	1-794634-2
②	15.86	16.30	12.00	19.00	10	1-794634-0
②	12.86	13.30	9.00	16.00	8	794634-8
②	9.86	10.30	6.00	13.00	6	794634-6
②	6.86	7.30	3.00	10.00	4	794634-4
②	3.86	4.30	-	7.00	2	794634-2

THIS DRAWING IS A CONTROLLED DOCUMENT.

DWN: K. WHITAKER 19MAR2003
 CHK: C. JONES 19MAR2003
 APVD: C. JONES 19MAR2003

TE Connectivity

NAME: SURFACE MOUNT, VERTICAL, MECHANICAL HOLDDOWN, ASSEMBLY, 15 GOLD HEADER, DUAL ROW, MICRO MATE-N-LOK TM

SIZE: A2 CAGE CODE: 260779 DRAWING NO: 794634 RESTRICTED TO: -

MATERIAL: SEE TABLE

WEIGHT: -

CUSTOMER DRAWING

SCALE: 4:1 SHEET 1 OF 1 REV: HI

单击下面可查看定价，库存，交付和生命周期等信息

[>>TE Connectivity\(泰科\)](#)