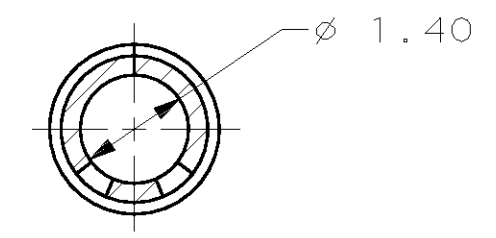
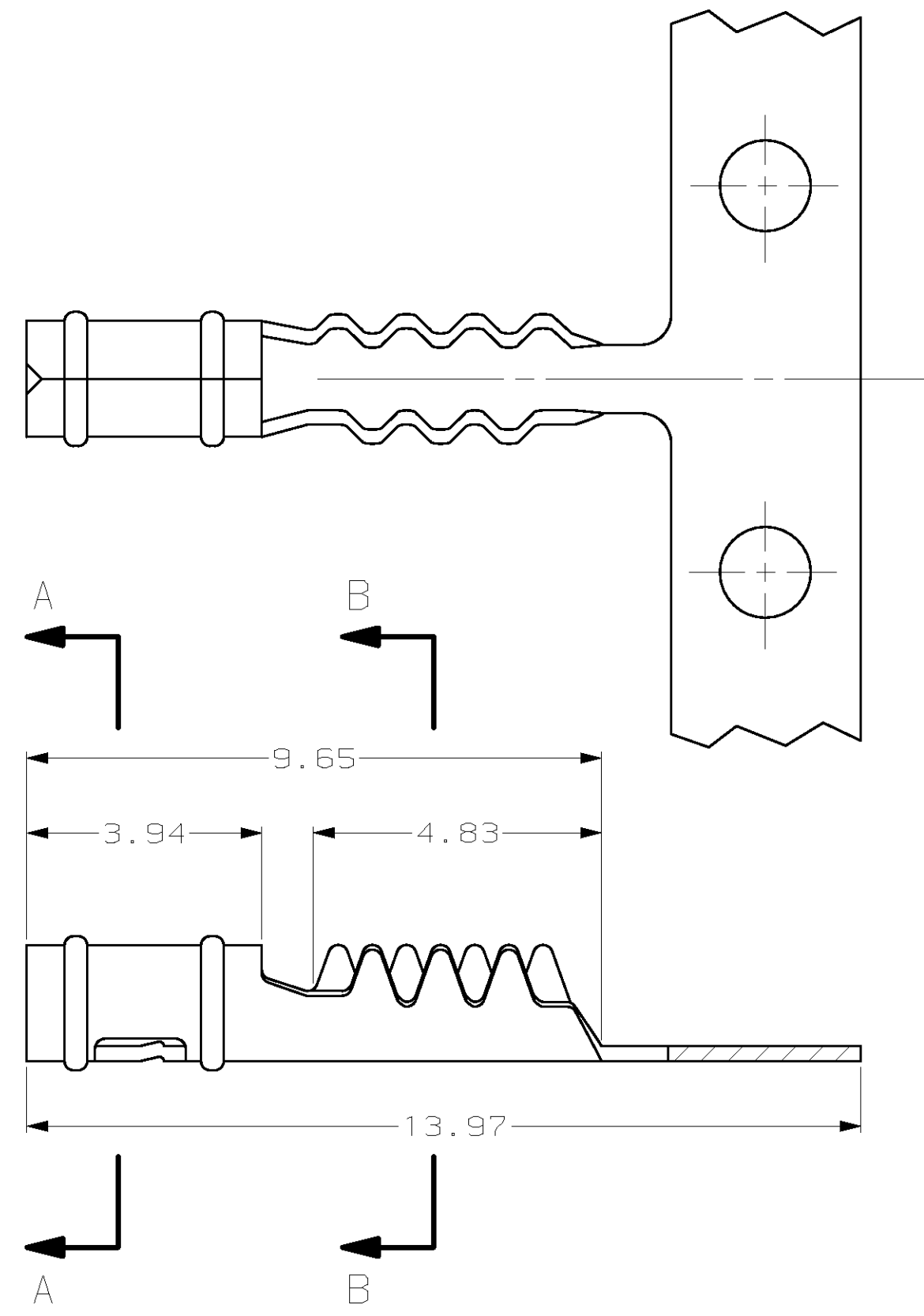


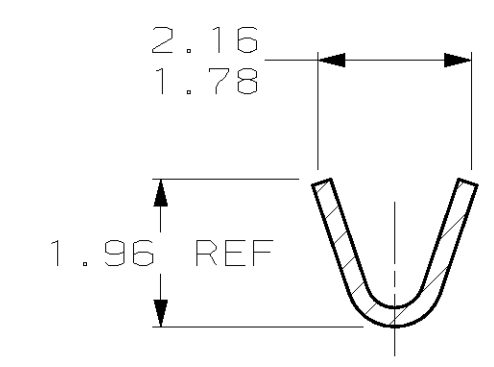
THIS DRAWING IS UNPUBLISHED. RELEASED FOR PUBLICATION
 (C) COPYRIGHT 19 BY AMP INCORPORATED. ALL RIGHTS RESERVED.

LOC	DIST	REVISIONS			
P	LTR	DESCRIPTION	DATE	DWN	APVD
CM	52	B	REV & REDWN PER EC 0L30-0125-97	6-9-97	TB RS

1. WIRE RANGE: TINSEL WIRE
2. INSULATION RANGE: 0.76 - 1.02



SECTION A-A



SECTION B-B

350393-1
PART NUMBER

MM	IN	MM	IN	MM	IN	MM	IN
1.02	.040	1.96	.077	9.65	.380	-	-
0.76	.030	1.78	.070	4.83	.190	-	-
0.25	.010	1.47	.058	3.94	.155	-	-
0.13	.005	1.40	.055	2.16	.085	13.97	.550

CONVERSION TABLE

METRIC

THIS DRAWING IS A CONTROLLED DOCUMENT.		DWN	T. BECK	6-09-97
DIMENSIONS:		CHK	R. SWING	6-09-97
mm		APVD	A. BEDDICK	6-17-97
TOLERANCES UNLESS OTHERWISE SPECIFIED:		PRODUCT SPEC	108-1025	
0 PLC ±-		APPLICATION SPEC	114-1008	
1 PLC ±-		WEIGHT	-	
2 PLC ±0.13		SCALE	10:1	
3 PLC ±-		SHEET	1 OF 1	
4 PLC ±-		REV	B	
ANGLES ±-		MATERIAL: 0.25 PH BRZ FINISH: PRE TIN		
CUSTOMER DRAWING		SIZE	A2	CAGE CODE
0.25 PH BRZ		DRAWING NO	C-350393	
PRE TIN		RESTRICTED TO	-	

350393

单击下面可查看定价，库存，交付和生命周期等信息

[>>TE Connectivity\(泰科\)](#)