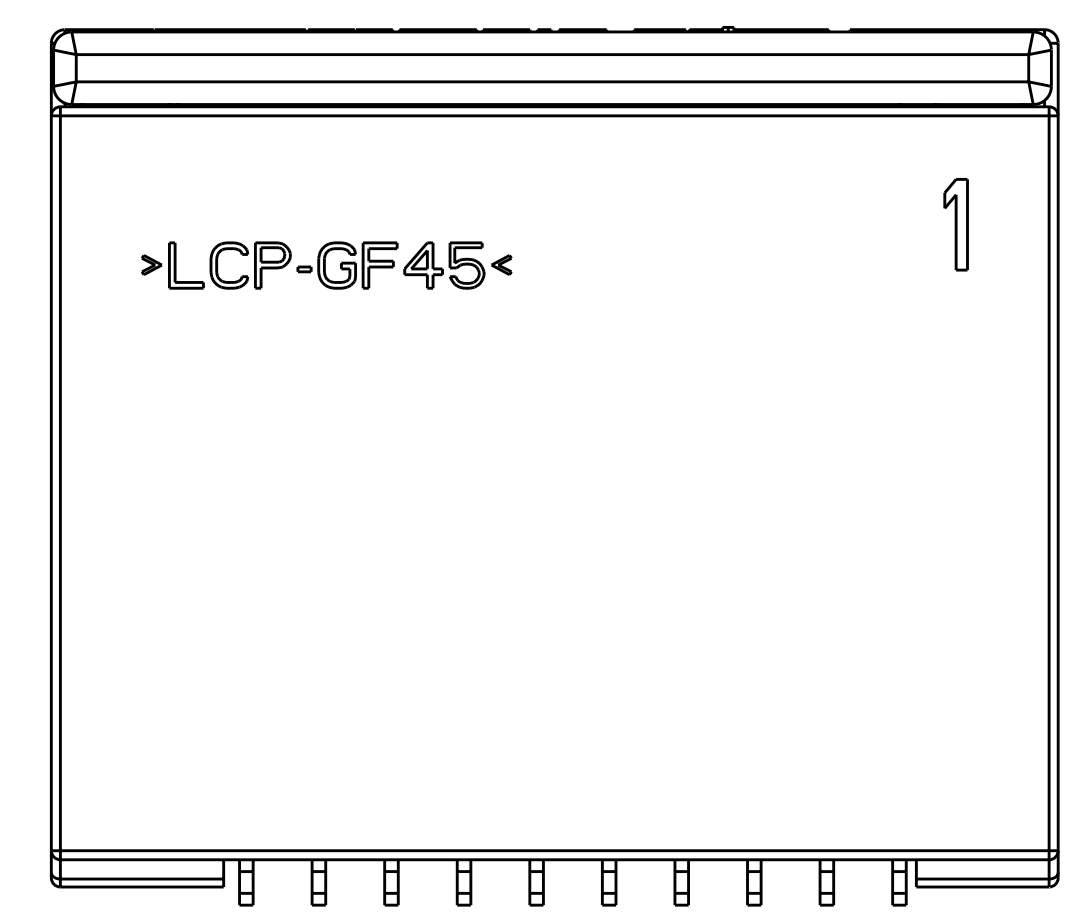
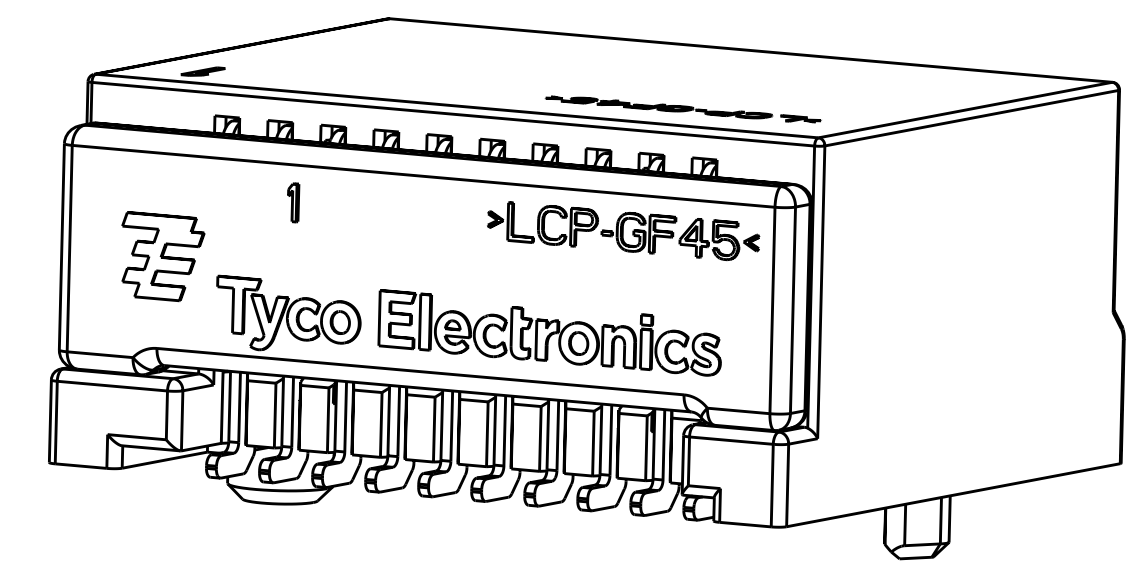
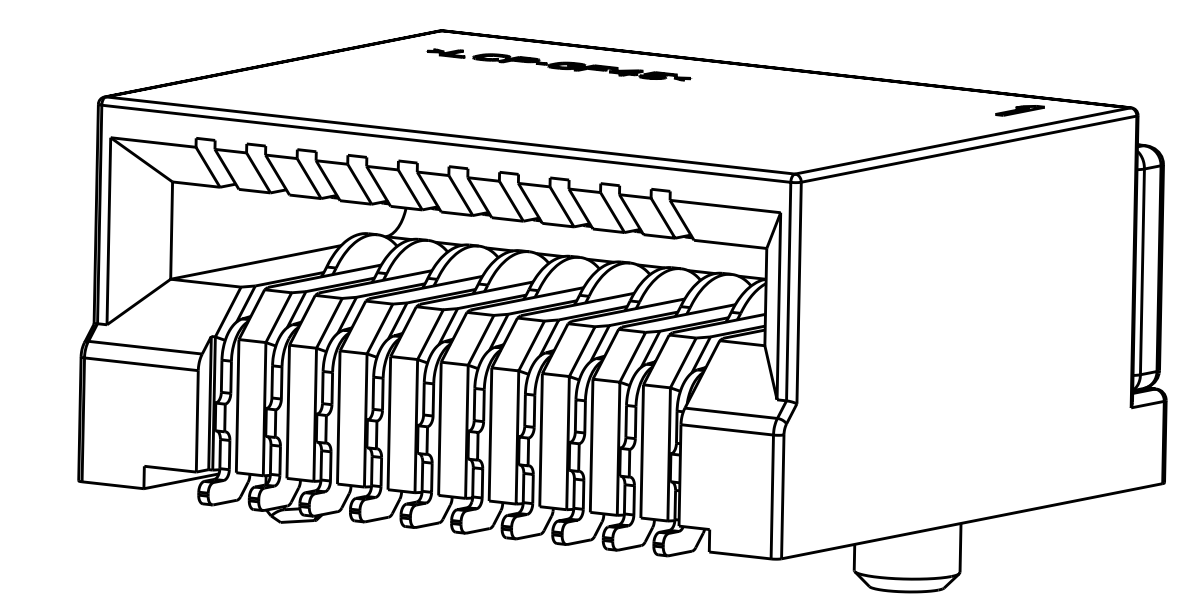
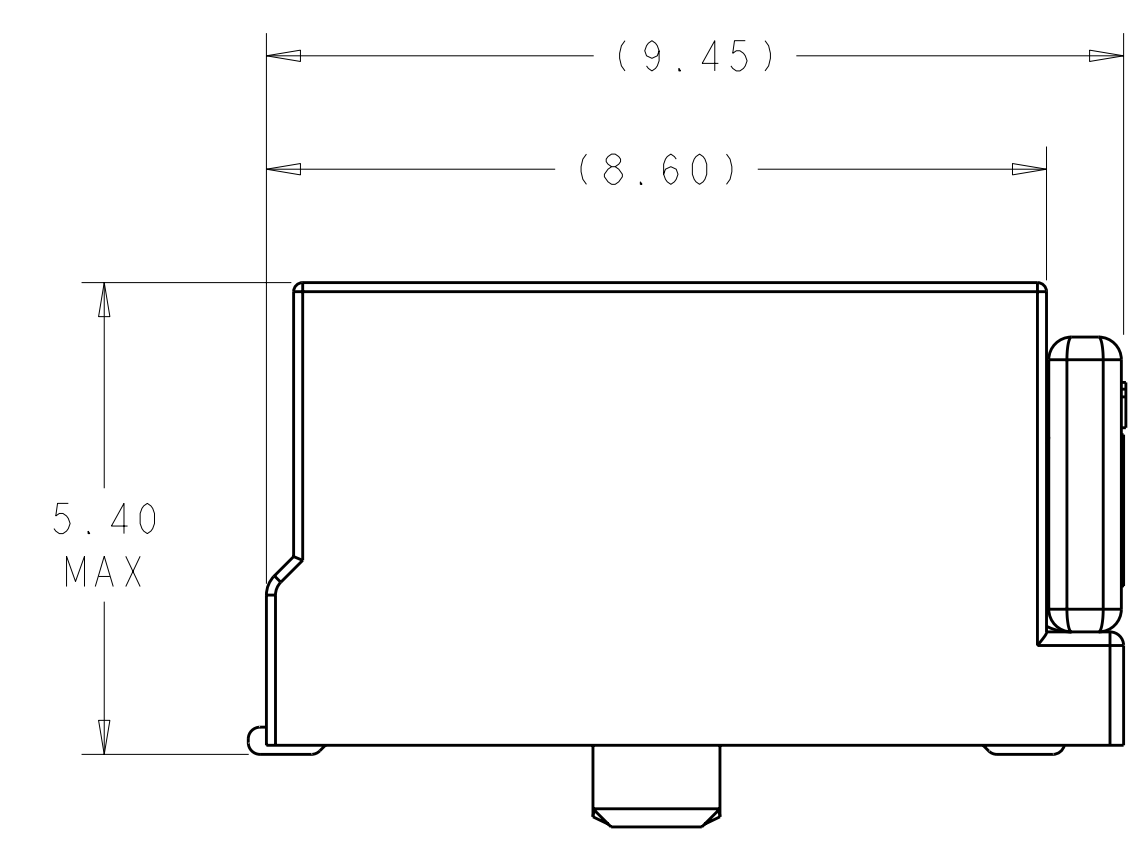
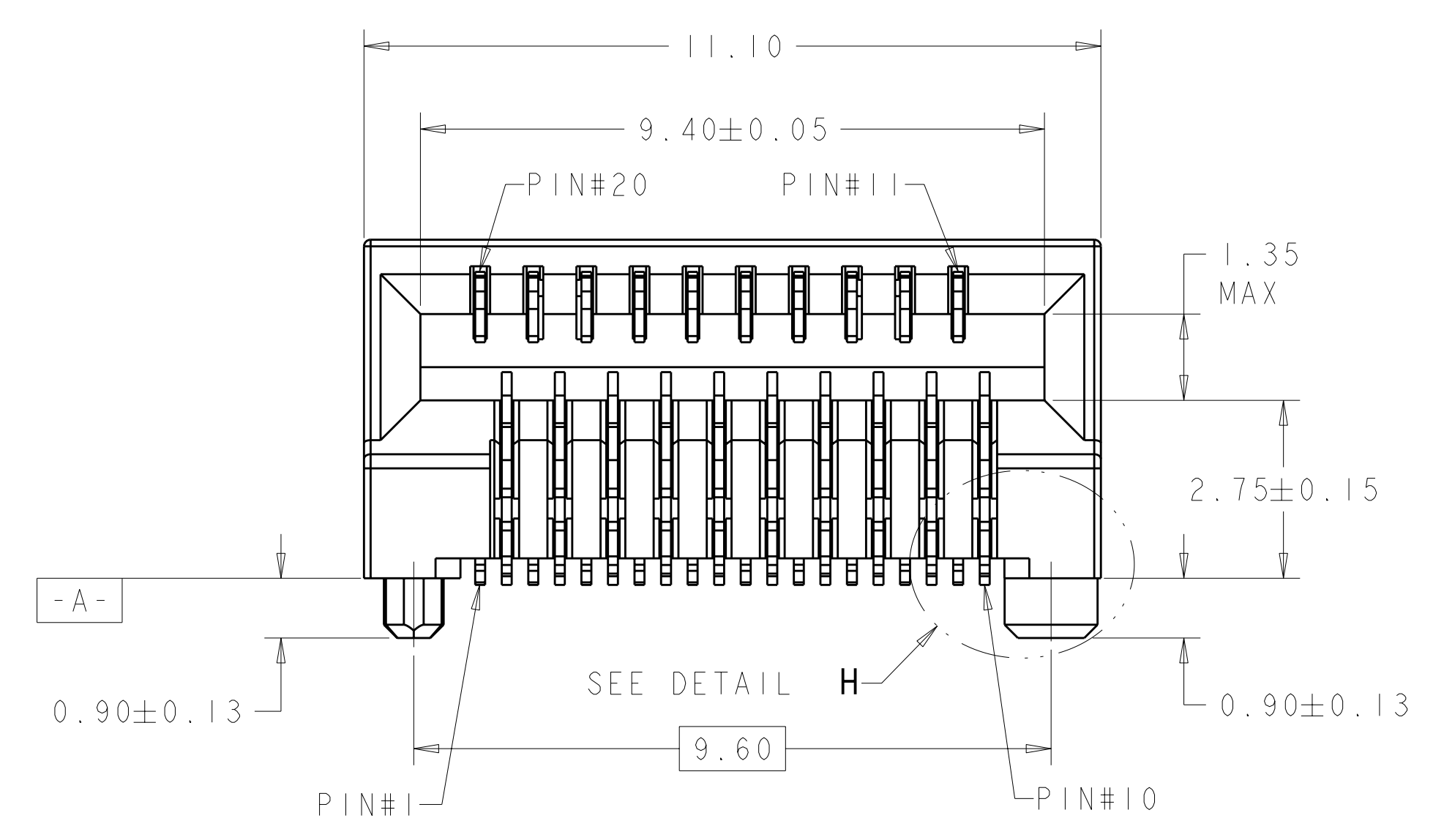


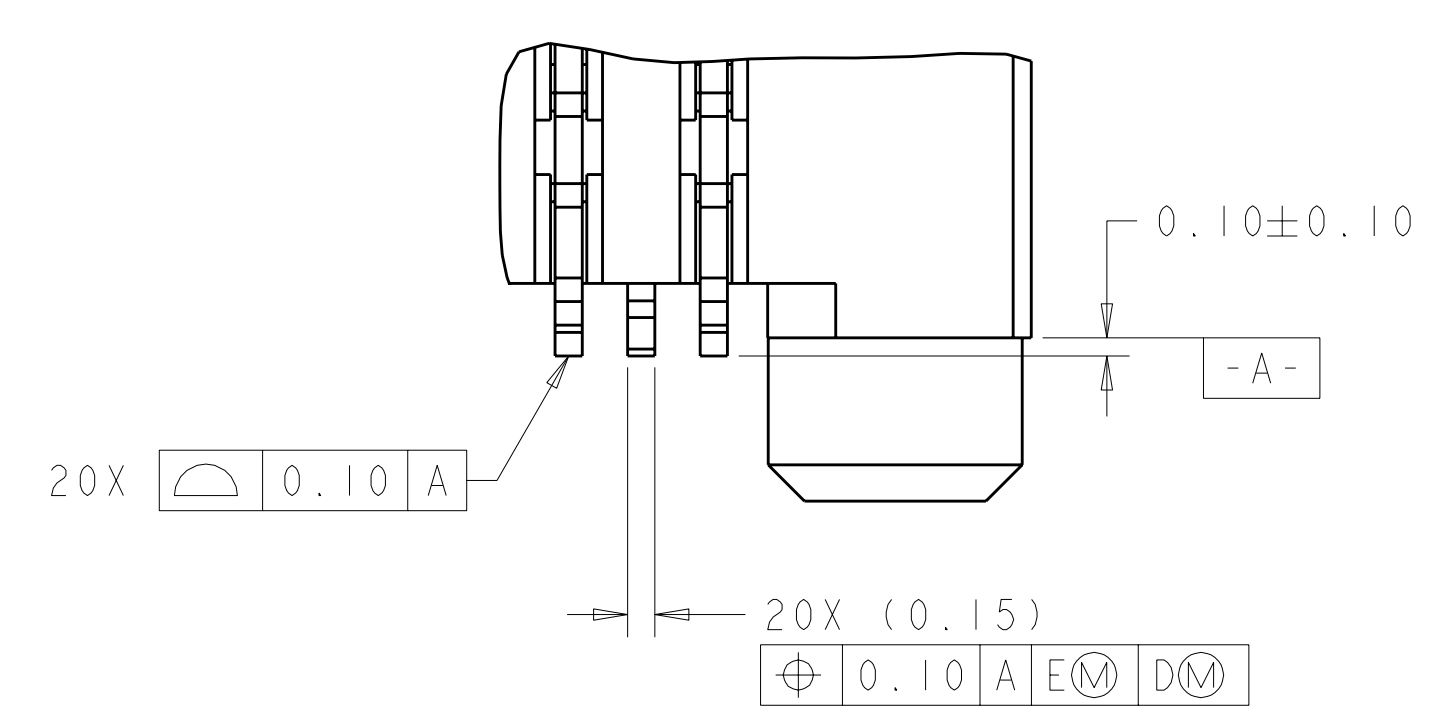
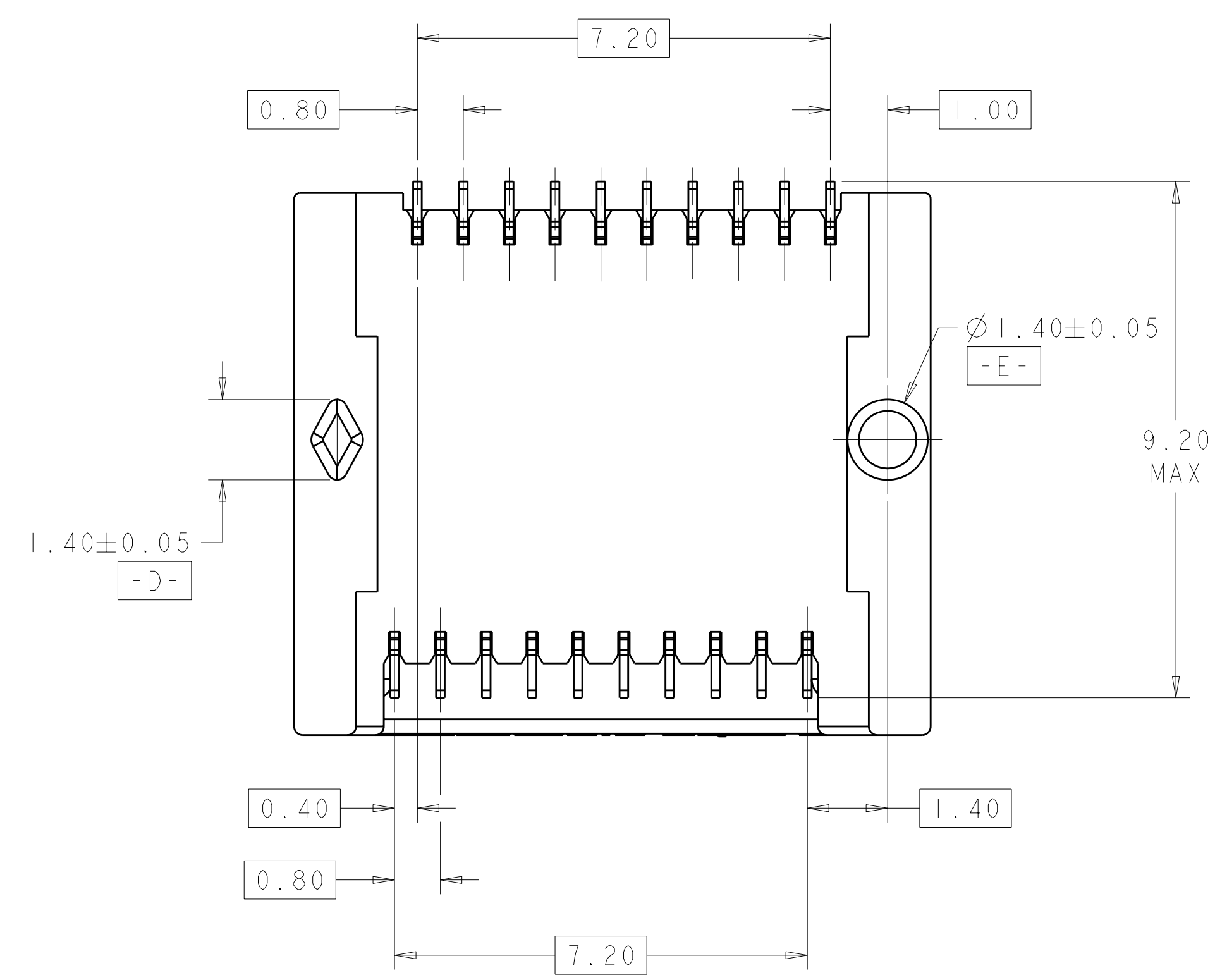
LOC	DIST	REVISIONS			
GP	00	REV	DATE	BY	APPD
		A	RELEASED PER ECO-12-001478	17FEB2012	BM MS



- 1 MATERIAL:  
HOUSING AND RETENTION PLUG: POLYESTER LCP, UL 94V-0, BLACK  
CONTACTS: COPPER ALLOY.
- 2 FINISH:  
CONTACT: CONFORMS TO TE PRODUCT SPEC 108-2424, BASED ON  
EIA/ECA-364-1000 O1A. (CONTROLLED ENVIRONMENT APPLICATIONS)  
ON MATING END, GOLD FLASH OVER NICKEL ON SOLDER TAILS.
- 3 DATUMS AND BASIC DIMENSIONS ARE TO BE ESTABLISHED BY  
CUSTOMER.



2110759-1  
SCALE 10:1

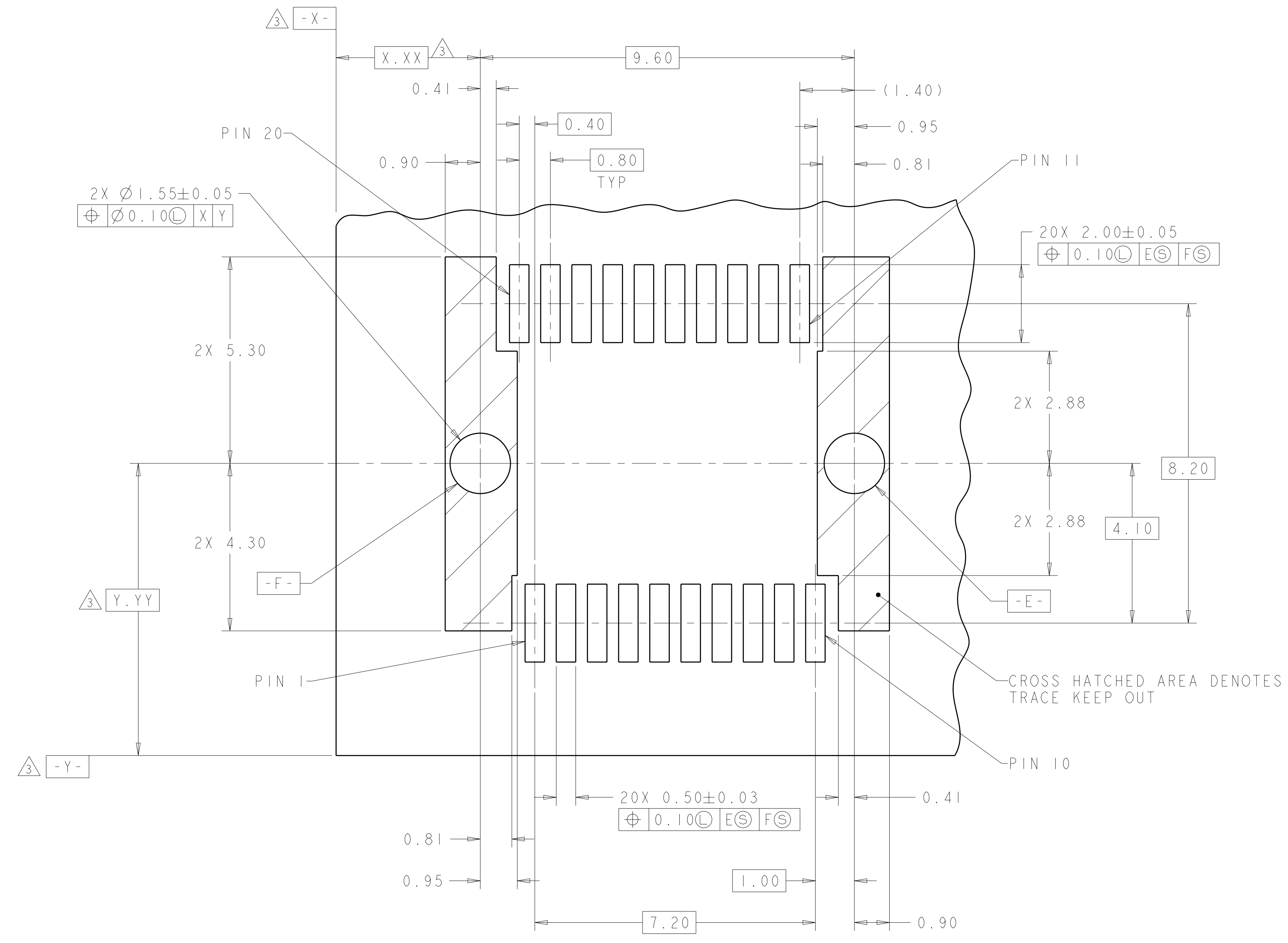


DETAIL H  
SCALE 24:1

2110759-1  
PART NUMBER

<small>THIS DRAWING IS UNPUBLISHED. RELEASED FOR PUBLICATION. ALL RIGHTS RESERVED. THIS IS SUBJECT TO CHANGE WITHOUT NOTICE. THE CUSTOMER SHALL BE RESPONSIBLE FOR VERIFYING THE DIMENSIONS AND TOLERANCES OF THE PARTS AND ASSEMBLIES. CONTACT THE SUPPLIER FOR THE LATEST REVISION.</small>		DWN B. MCMASTER 16 JUN 09 CHK J. WESTMAN 16 JUN 09 APVD J. WESTMAN 16 JUN 09	Tyco Electronics Harrisburg, PA 17105-3608
DIMENSIONS: mm TOLERANCES UNLESS OTHERWISE SPECIFIED: 9 PLC ± 8 PLC ±0.10 5 PLC ± 4 PLC ± ANGLES ±	PRODUCT SPEC 108-2424 APPLICATION SPEC 114-13120 WEIGHT CUSTOMER DRAWING	NAME PT CONNECTOR ASSEMBLY, 20 POS. RIGHT ANGLE, 0.8mm PITCH, 16G SFP SIZE CAGE CODE DRAWING NO. RESTRICTED TO A1100779C=2110759	Tyco Electronics Harrisburg, PA 17105-3608
SCALE 12:1 SHEET 1 OF 3 REV A			

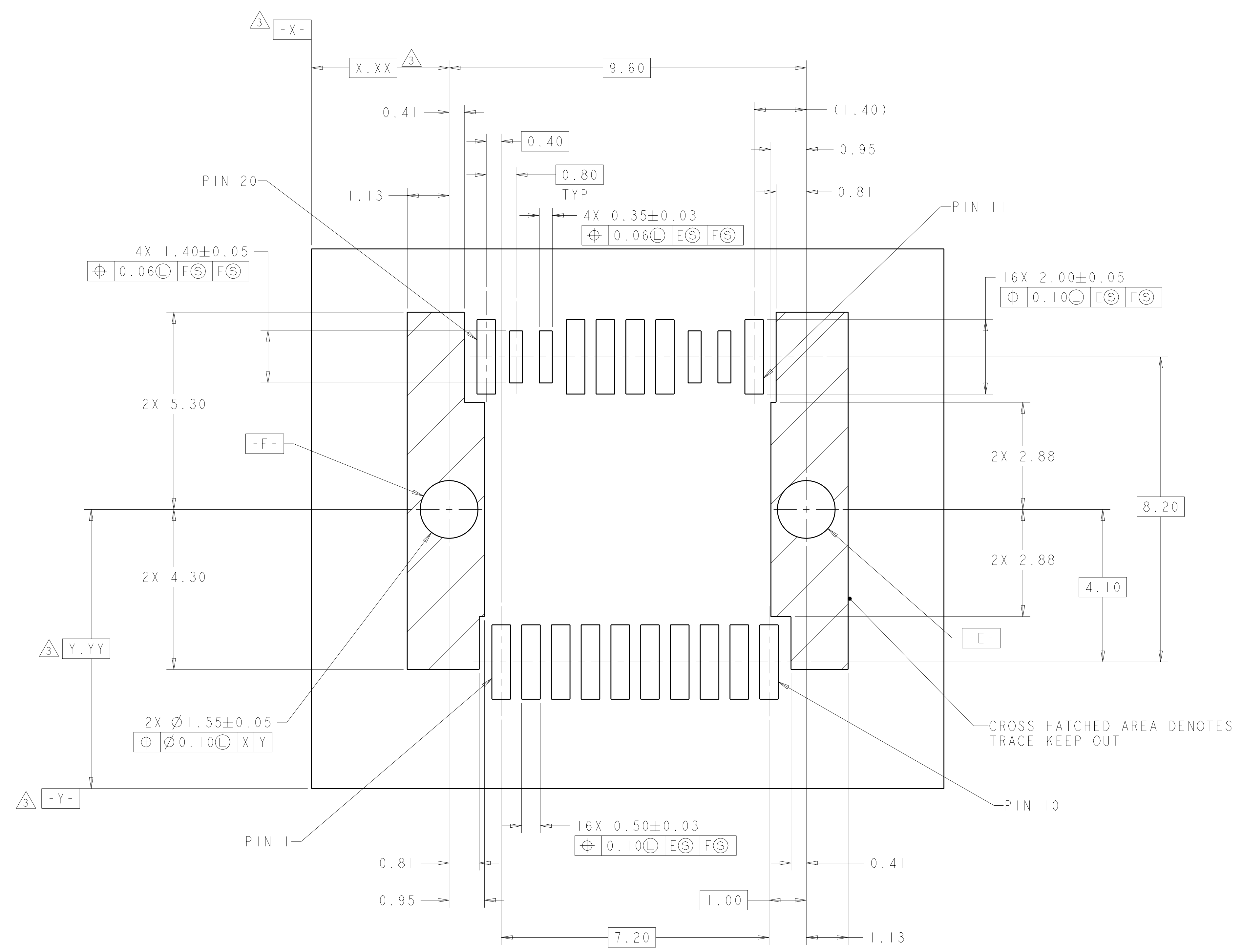
LOC	DIST	REVISIONS			
GP	00	REV	DATE	BY	APPD
		-	SEE SHEET 1	-	-



RECOMMENDED PCB LAYOUT DETAIL  
 CONNECTOR MOUNTING SIDE  
 SCALE 14:1

<small>THIS DRAWING IS UNPUBLISHED. RELEASED FOR PUBLICATION 20. © COPYRIGHT 20 BY TYCO ELECTRONICS CORPORATION. ALL RIGHTS RESERVED.</small>		DWN: B. MCMASTER CHK: J. WESTMAN APVD: J. WESTMAN	16 JUN 09 16 JUN 09 16 JUN 09	Tyco Electronics Harrisburg, PA 17105-3608
DIMENSIONS: mm 		TOLERANCES UNLESS OTHERWISE SPECIFIED: 0 PLC ± 1 PLC ± 2 PLC ±0.10 3 PLC ± 4 PLC ± ANGLES ±		NAME: PT CONNECTOR ASSEMBLY, 20 POS. RIGHT ANGLE, 0.8mm PITCH, 16G SFP PRODUCT SPEC: 108-2424 APPLICATION SPEC: 114-13120
MATERIAL: FINISH:		WEIGHT:	SIZE: CAGE CODE: DRAWING NO: A100779C=2110759	RESTRICTED TO:
CUSTOMER DRAWING		SCALE: 12:1	SHEET: 2 OF 3	REV: A

LOC	DIST	REVISIONS					
GP	00	P	LTN	DESCRIPTION	DATE	DWN	APVD
		-		SEE SHEET 1			



OPTIONAL LAYOUT FOR IMPROVED SIGNAL INTEGRITY, MOUNTING SIDE  
 SCALE 15:1

<small>THIS DRAWING IS UNPUBLISHED. RELEASED FOR PUBLICATION BY TYCO ELECTRONICS CORPORATION. IT IS SUBJECT TO CHANGE WITHOUT NOTICE AND WITHOUT OBLIGATION. SHOULD BE CONTACTED FOR THE LATEST REVISION.</small>		DWN: B. MCMASTER CHK: J. WESTMAN APVD: J. WESTMAN	16 JUN 09 16 JUN 09 16 JUN 09	Tyco Electronics Harrisburg, PA 17105-3608
DIMENSIONS: mm 		TOLERANCES UNLESS OTHERWISE SPECIFIED: 9 PLG ± 1 PLG ±0.10 2 PLG ± 3 PLG ± 4 PLG ± ANGLES ±		NAME: PT CONNECTOR ASSEMBLY, 20 POS. RIGHT ANGLE, 0.8mm PITCH, 16G SFP PRODUCT SPEC: 108-2424 APPLICATION SPEC: 114-13120 WEIGHT: - CUSTOMER DRAWING
MATERIAL: - FINISH: -		SIZE: A CAGE CODE: 100779 DRAWING NO: C-2110759	RESTRICTED TO: - SCALE: 12:1 SHEET: 3 OF 3 REV: A	

单击下面可查看定价，库存，交付和生命周期等信息

[>>TE Connectivity\(泰科\)](#)