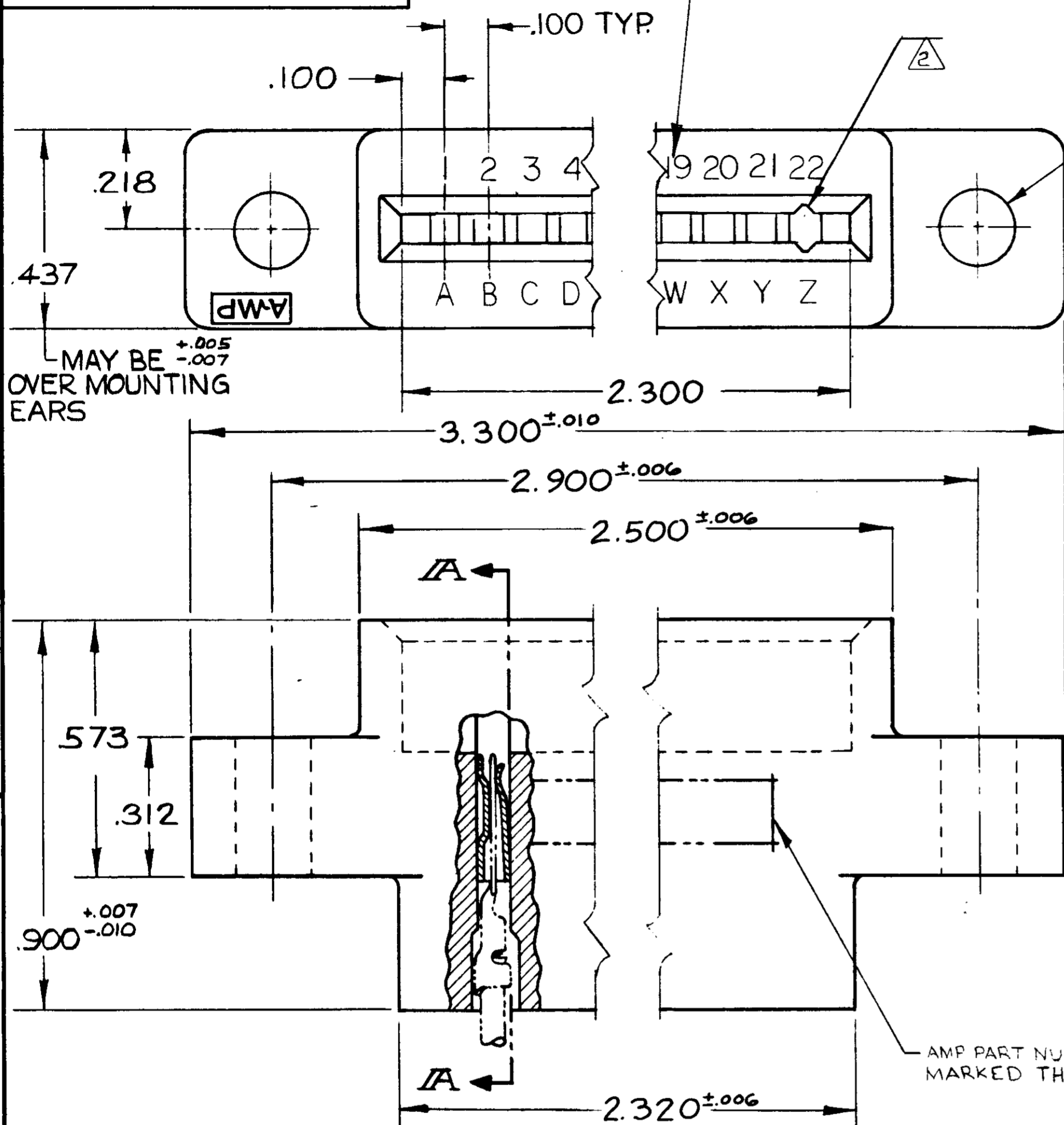


© 1963 BY AMP INCORPORATED. ALL RIGHTS RESERVED. AMP PRODUCTS COVERED BY PATENTS AND/OR PATENTS PENDING. APPROVED PER GOVT CONTRACT NO.

REVISIONS				
ZONE	LTR	DESCRIPTION	DATE	APPROVED
	R	REVISED PER 0600-3683-95 TA	10-75	J. WARNER
	S	ECO-08-020973	PY 11-08	JW

CAVITY IDENTIFICATION ON P/N'S (1)-582557-1 AND (1)-582557-2 ONLY.



582557-1 1. AS SHOWN. "J" DIA. HOLES = .156  
 OBS. ~~582557-2~~ 1. SAME AS -1 EXCEPT.  
 2. "J" DIA. HOLES = .128

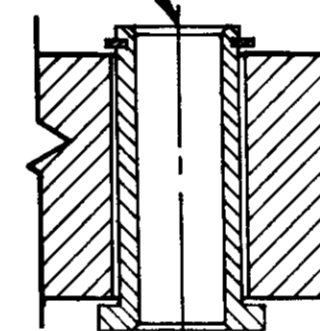
OBS ~~582557-4~~ 1. SAME AS -1 EXCEPT:  
 2. FLOATING BUSHINGS.

OBS. ~~582557-5~~ 1. SAME AS -4 EXCEPT:  
 - BUSHINGS REVERSED.

(1)-582557-1 1. SAME AS -1 EXCEPT TO HAVE CAVITY IDENT. ON TOP SURFACE OF HOUSING.

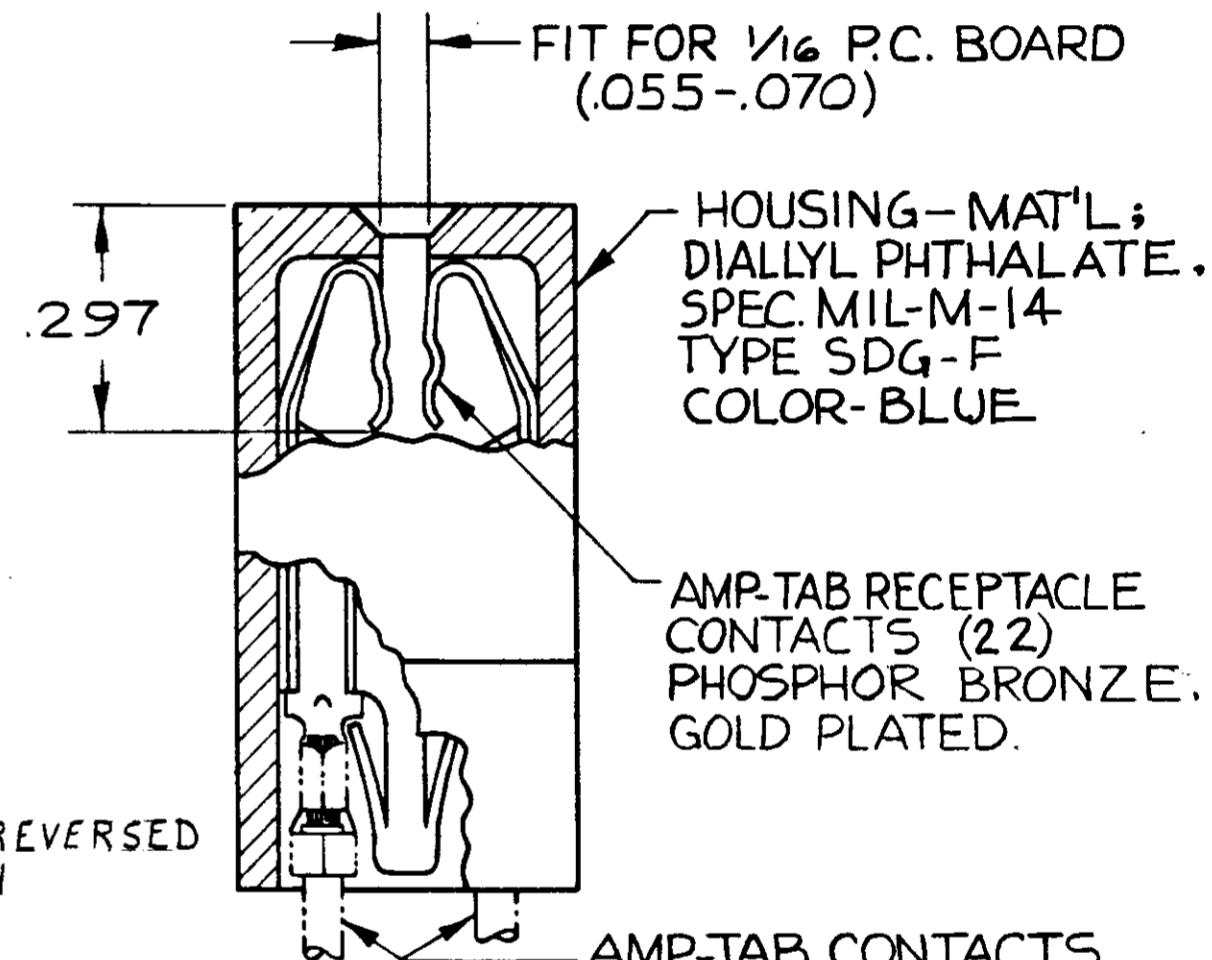
(1)-582557-2 1. SAME AS -2 EXCEPT TO HAVE CAVITY IDENT. ON TOP SURFACE OF HOUSING.

CLEARANCE FOR #4 SCREW



-4  
 -5 BUSHING REVERSED AS SHOWN

FIT FOR 1/16 P.C. BOARD (.055-.070)



SECTION A-A

NOTE:

① UPPER CASE LETTERS. OMIT LETTERS G, I, O, & Q  
 CIRCUIT CAVITY IDENTIFICATION MARKING PER MIL-C-21097.

② GROOVES FOR "ON CONTACT KEYING" AMP'S OPTION DEPENDING ON METHOD OF MANUFACTURE. FOR "ON CONTACT" KEYING USE KEYING PLUG D/N 583487-1 (MUST BE ORDERED SEPARATELY.)

3. LASER MARKING ACCEPTABLE FOR ALL MARKING

AMP INFO	LOC	PRINT	BY
	1	F	FO

UNLESS OTHERWISE SPECIFIED DIMENSIONS ARE IN INCHES TOLERANCES ON		CONTRACT NO.		AMP INCORPORATED HARRISBURG, PENNSYLVANIA	
FRACTIONS ± #	DECIMALS ± .005	ANGLES ± #	DR <i>J. Asch</i>	DATE 6-7-67	 NAME <b>22 POSITION AMP-TAB CONNECTOR .100 CENTERS DUAL</b>
SEE CALLOUT			CHK <i>S.S. Heide</i>	DATE 3/9/67	
HEAT TREAT #			APPD <i>Shawman</i>	DATE 1/21/67	
FINISH SEE CALLOUT			OSGN APPD	OTHER APPD	
SIZE C	CODE IDENT NO 00779	NUMBER 582557	REV S	SCALE 4-1	

NUMBER 582557

单击下面可查看定价，库存，交付和生命周期等信息

[>>TE Connectivity\(泰科\)](#)