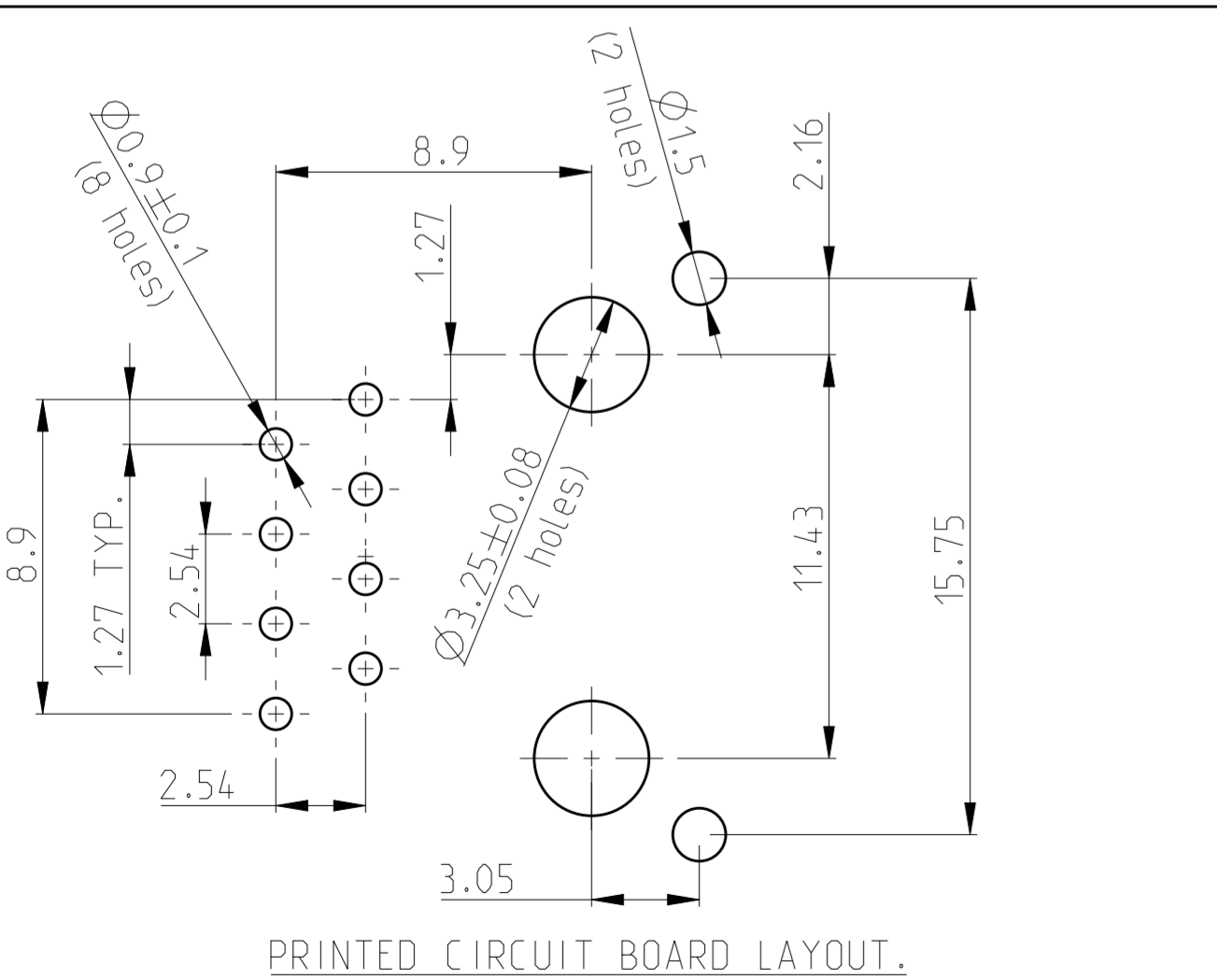
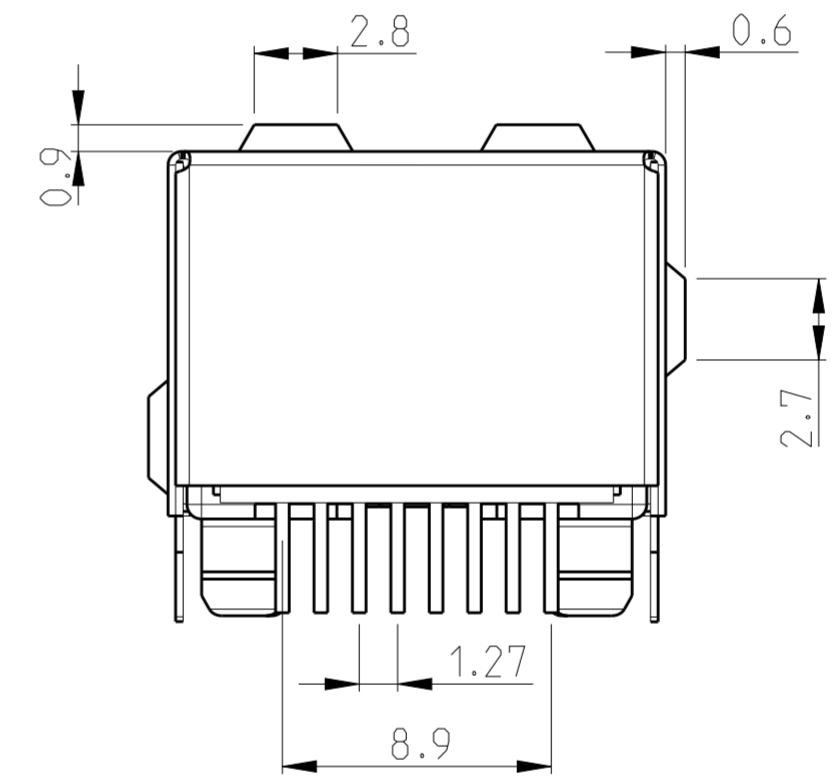
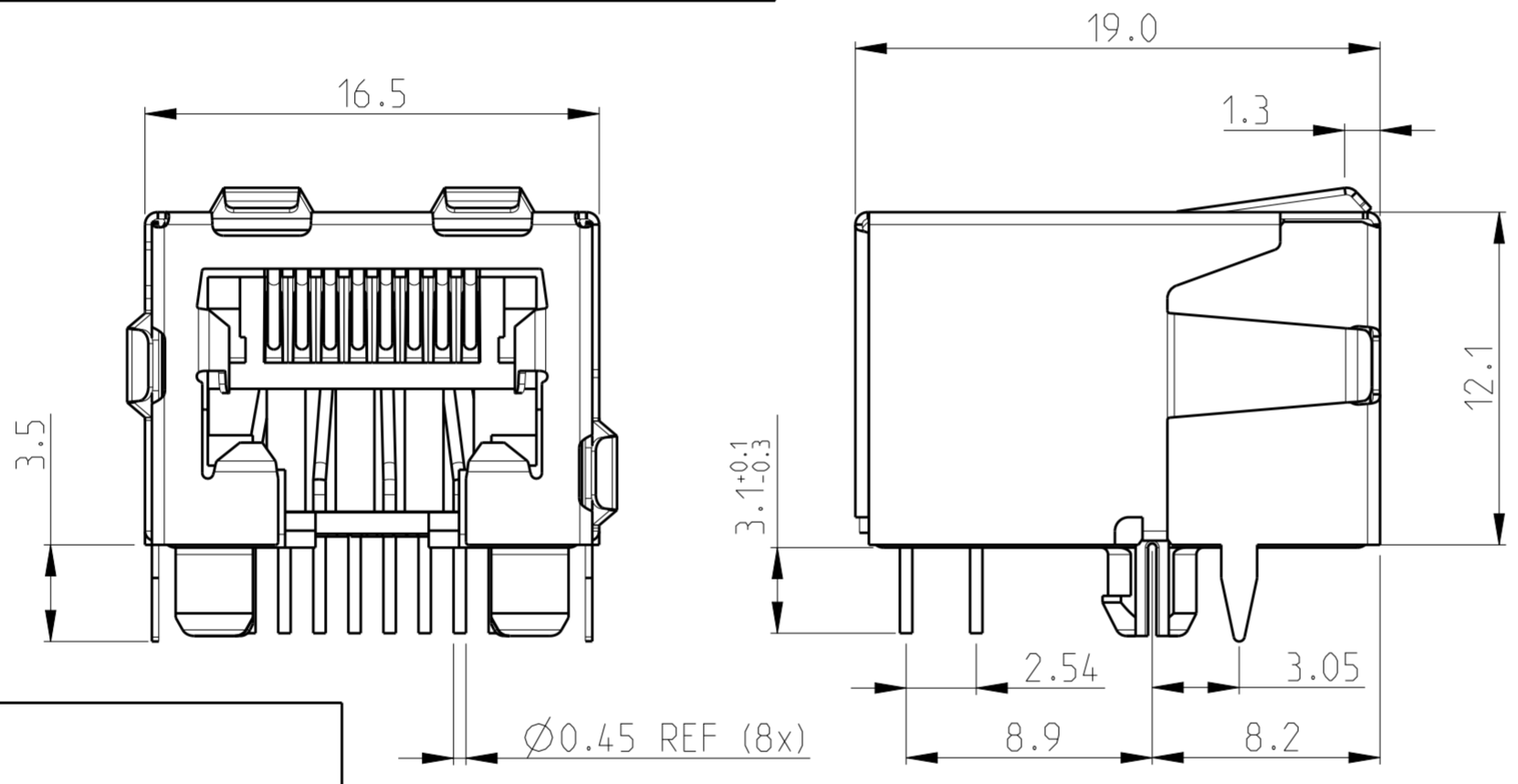
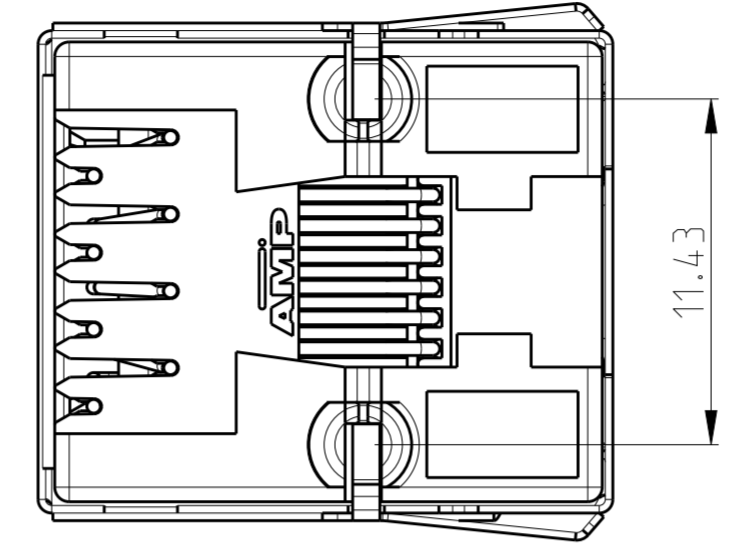
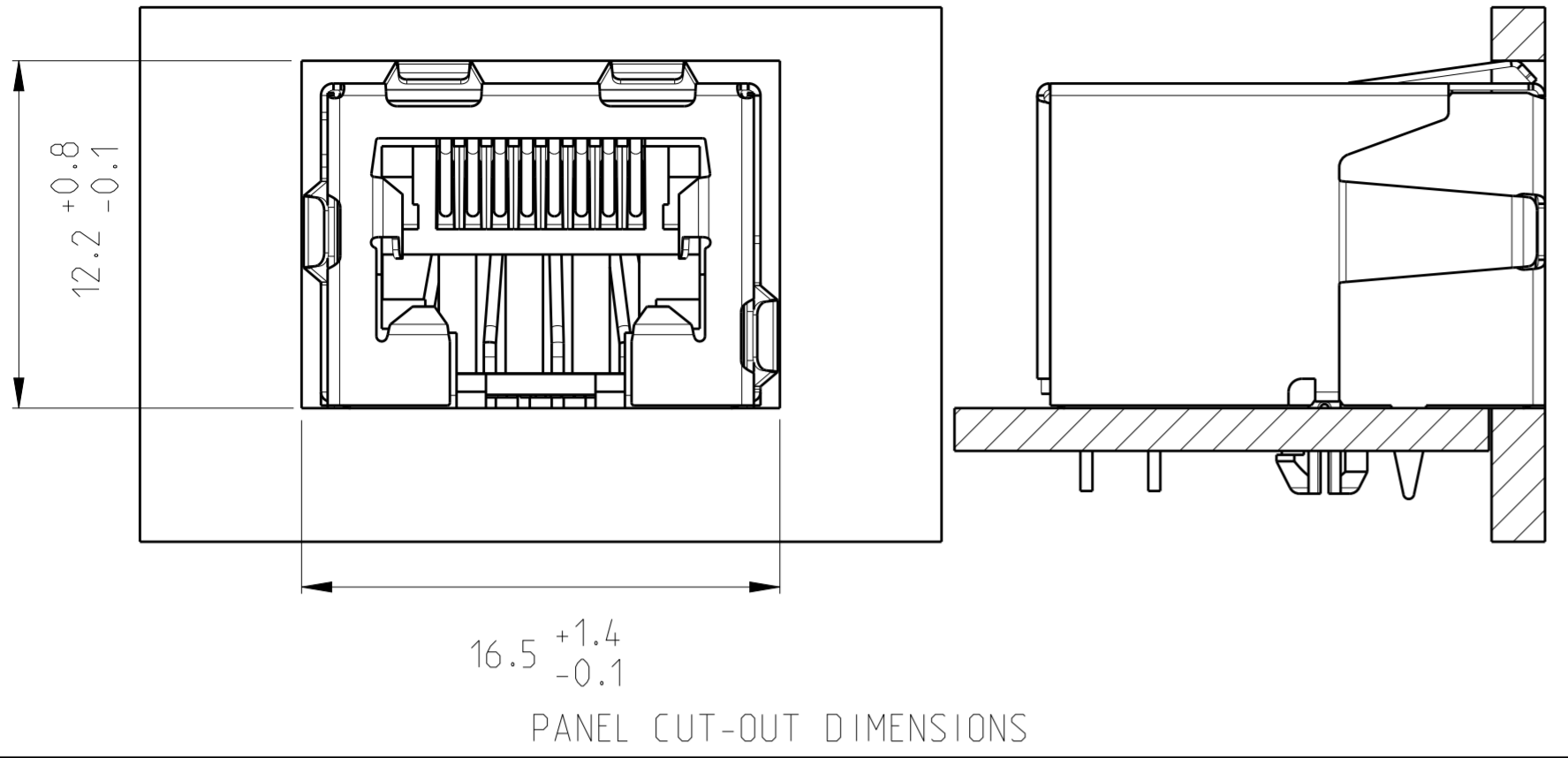
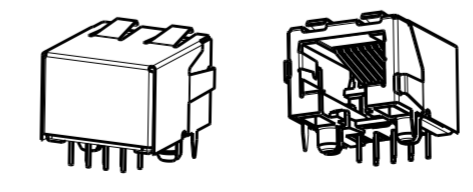
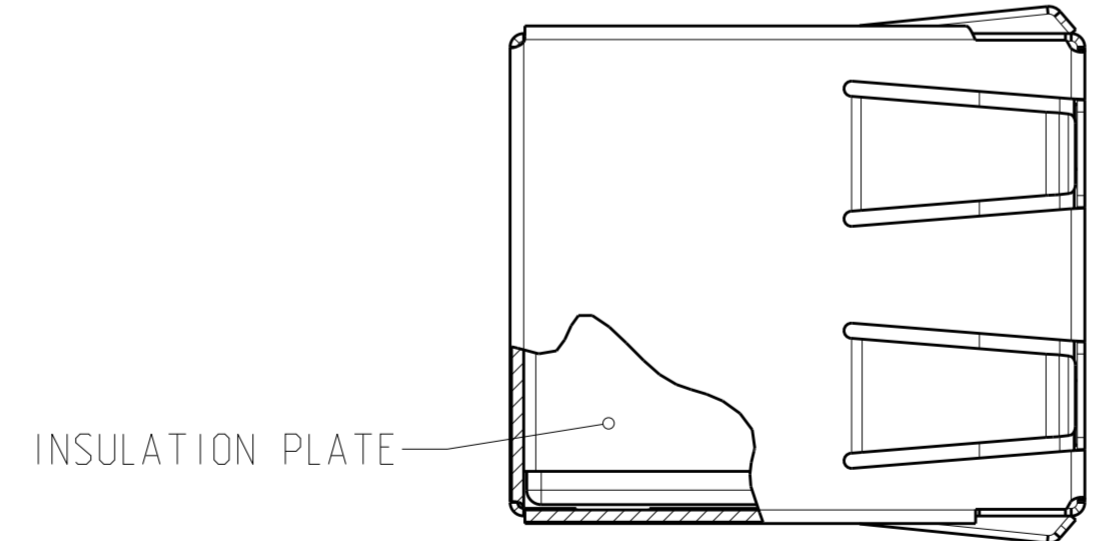


THIS DRAWING IS UNPUBLISHED. RELEASED FOR PUBLICATION 2000  
 © COPYRIGHT 2000 TE CONNECTIVITY ALL RIGHTS RESERVED.

LOC		DIST		REVISIONS			
P	LTR	DESCRIPTION	DATE	DWN	APVD		
C		SHIELD RAW MATERIAL CHANGE TO BRASS	08MAR2012	PS	RRP		
C1		ECR-12-014775	21AUG2012	SS	RRP		



(VIEW SHOWN IS CIRCUIT (NONCOMPONENT) SIDE OF BOARD)  
 PRINTED CIRCUIT BOARD THICKNESS: 1.6 mm NOMINAL.  
 TOLERANCE UNLESS OTHERWISE SPECIFIED: ±0.05mm.



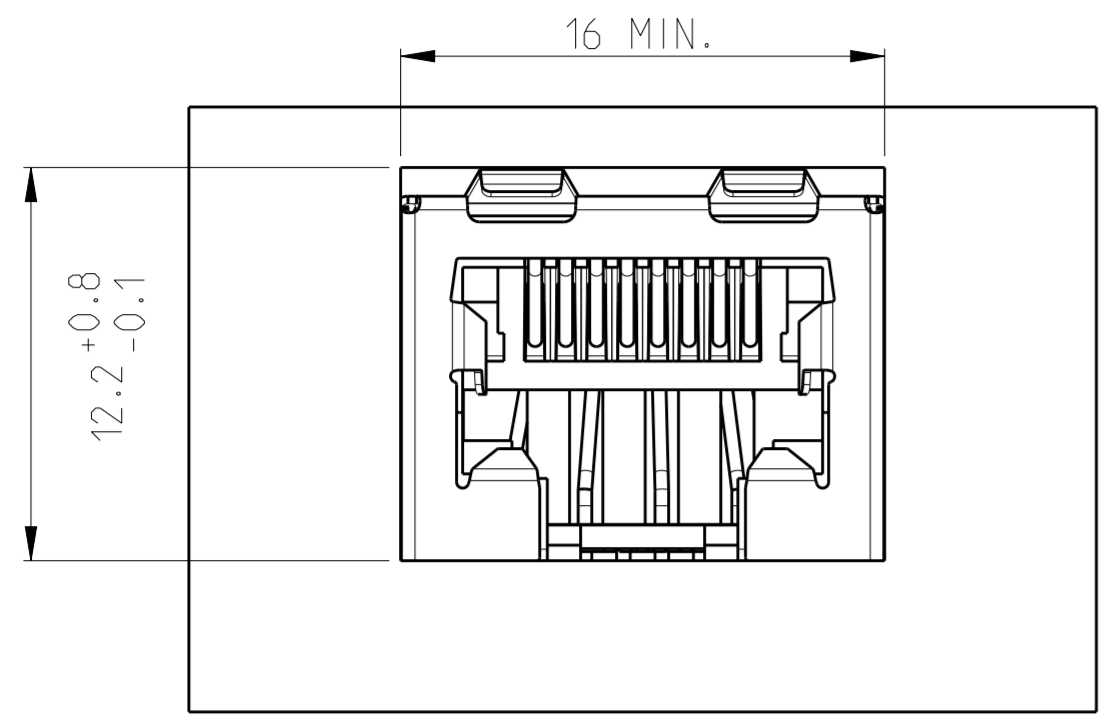
SCALE: 1:1

PACKAGED 190 PIECES IN A TRAY	8 POS. 8 CONT.	OVERALL: Ni 1.27 µm MIN. ALL OVER THE CONTACTS  SOLDER ZONE: Sn 2.5 µm MIN. ON THE SOLDER ZONE OF THE CONTACT  MATING ZONE: PLATING CONFIRMS TO PRODUCT REQUIREMENTS AS PER SPECIFICATION 108-19064	HOUSING: PBT UL 94 V-0 BLACK  CONTACTS: PHOSPHOR BRONZE  SHIELD: BRASS PRE-PLATED (BRIGHT TIN)	2-5338556-1
PACKAGING	REMARKS	PLATING	MATERIAL	P/N

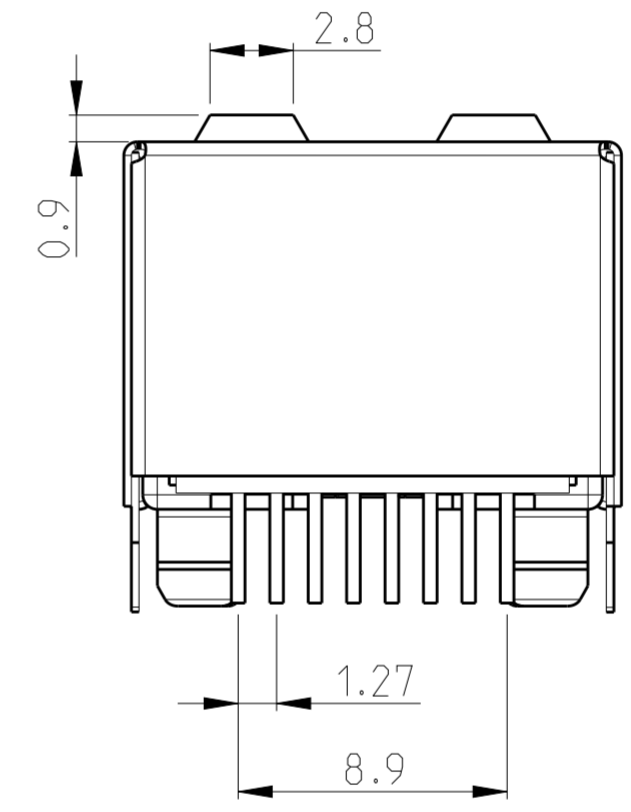
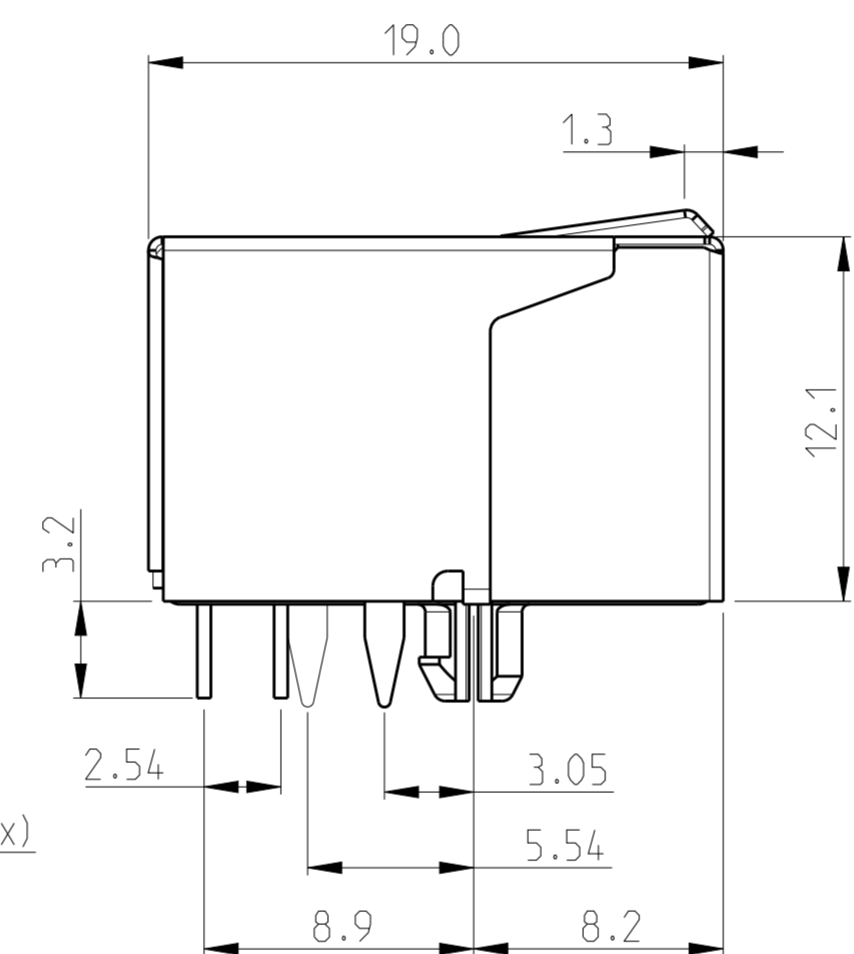
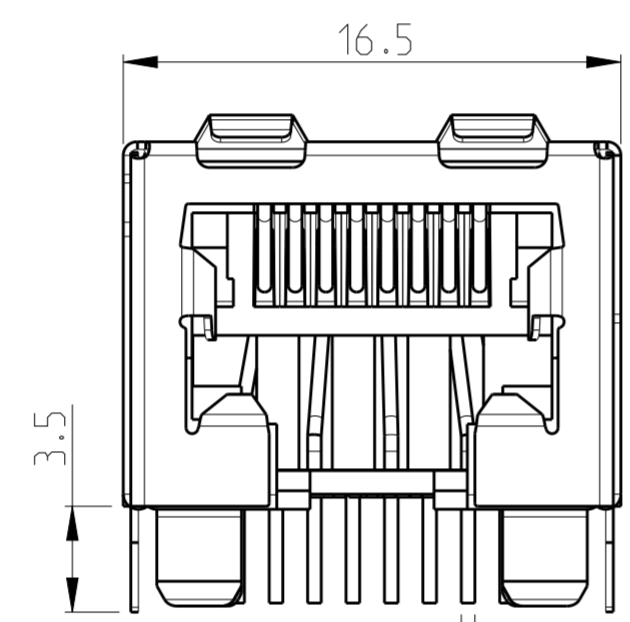
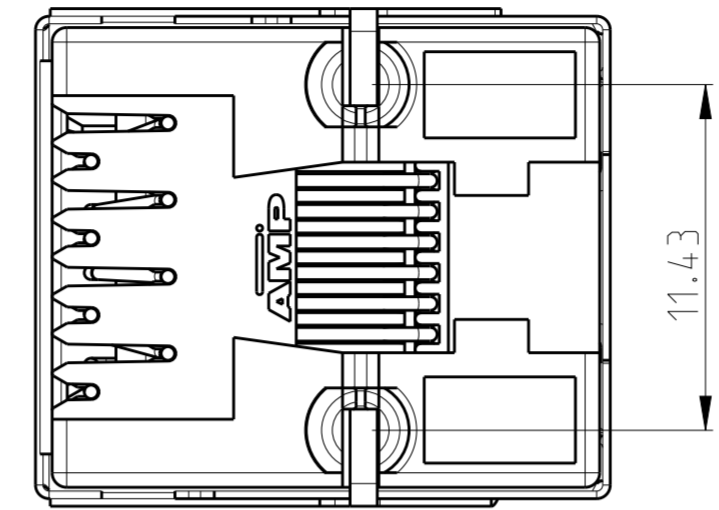
THIS DRAWING IS A CONTROLLED DOCUMENT.		DWN P. Willems 25-Feb-05	TE Connectivity	
		CHK P. Groels 25-Feb-05		
DIMENSIONS: mm		APVD J. Broeksteeg 25-Feb-05	NAME 8 pos. Modular Jack Side Entry fully shielded with insulation plate	
TOLERANCES UNLESS OTHERWISE SPECIFIED:		PRODUCT SPEC 108-19064	RESTRICTED TO	
0 PLC ±0.15		APPLICATION SPEC 114-19019	SIZE A2	CAGE CODE 00779
1 PLC ±0.15		WEIGHT -	DRAWING NO 5338556	
2 PLC ±0.15			SCALE 4:1	SHEET 1 OF 2
3 PLC ±0.15				REV C1
4 PLC ±0.15				
ANGLES FINISH ±0.30°				
MATERIAL -		CUSTOMER DRAWING		

THIS DRAWING IS UNPUBLISHED. RELEASED FOR PUBLICATION 2000  
 © COPYRIGHT 2000 TE CONNECTIVITY ALL RIGHTS RESERVED.

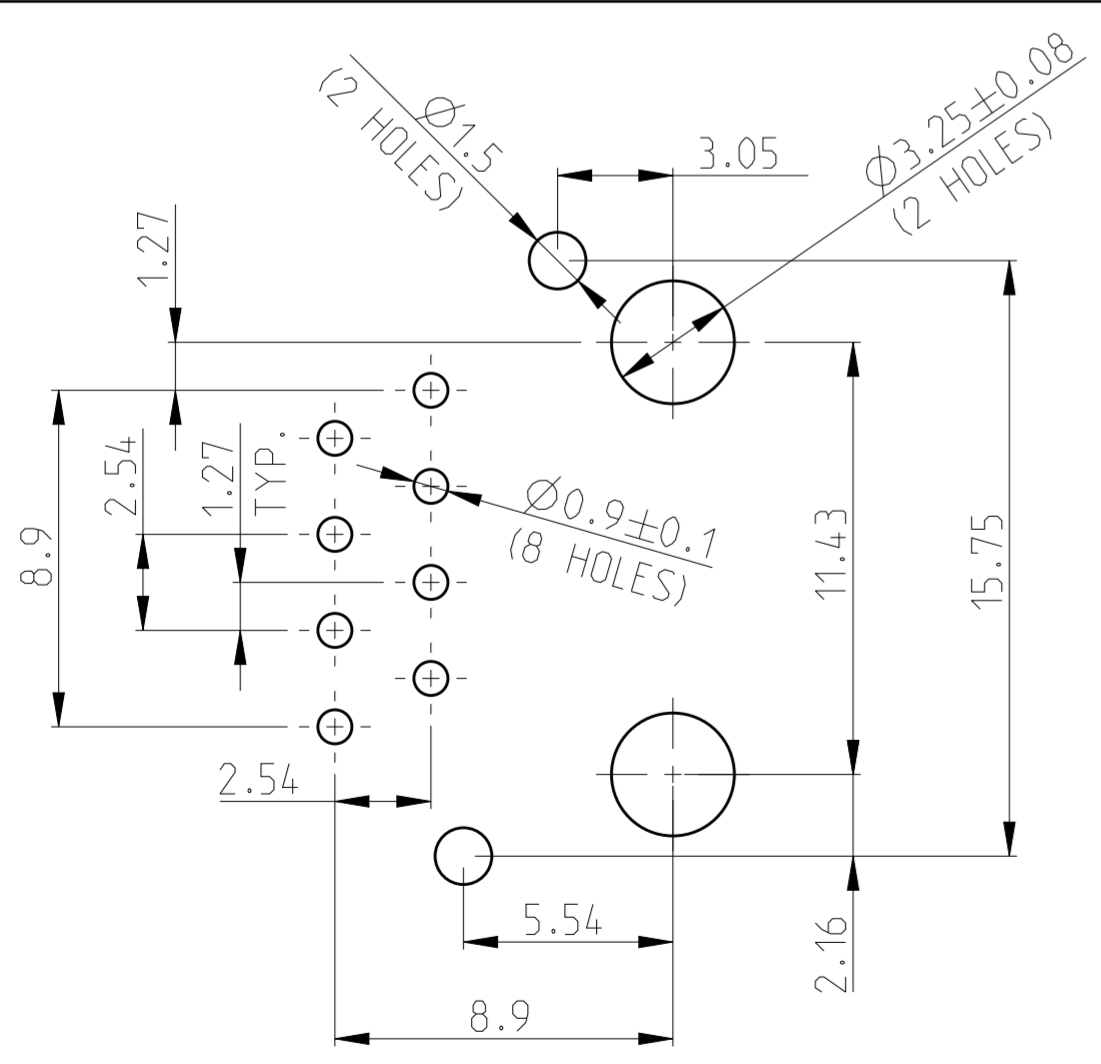
LOC	DIST	REVISIONS				
P	LTR	DESCRIPTION	DATE	DWN	APVD	
IR	-	SEE SHEET 1	-	-	-	



PANEL CUT-OUT DIMENSIONS

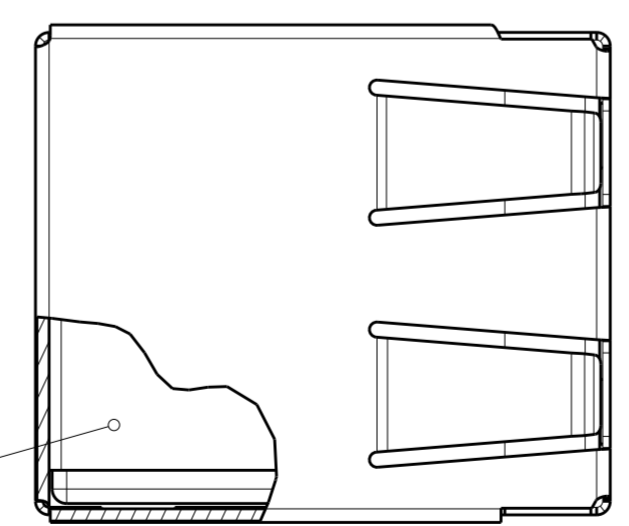


Ø0.45 REF (8x)



PRINTED CIRCUIT BOARD LAYOUT.

(VIEW SHOWN IS CIRCUIT (NONCOMPONENT) SIDE OF BOARD.)  
 PRINTED CIRCUIT BOARD THICKNESS: 1.6 mm NOMINAL.  
 TOLERANCE UNLESS OTHERWISE SPECIFIED: ± 0.15 mm.



INSULATION PLATE

PACKAGING	REMARKS	DESCRIPTION	MATERIAL	P/N																																																											
PACKAGED 190 PIECES IN A TRAY	8 POS. 8 CONT.	OVERALL: Ni 1.27 µm MIN. ALL OVER THE CONTACTS  SOLDER ZONE: Sn 2.5 µm MIN. ON THE SOLDER ZONE OF THE CONTACT  MATING ZONE: PLATING CONFIRMS TO PRODUCT REQUIREMENTS AS PER SPECIFICATION 108-19064	HOUSING: PBT UL 94V-0 BLACK  CONTACTS: PHOSPHOR BRONZE  SHIELD: BRASS PRE-PLATED BRIGHT TIN	3-5338556-1																																																											
THIS DRAWING IS A CONTROLLED DOCUMENT.		<table border="1"> <tr> <td>DWN</td> <td>P. Willem</td> <td>25-Feb-05</td> <td rowspan="4"> </td> <td rowspan="4">TE Connectivity</td> </tr> <tr> <td>CHK</td> <td>P. Groels</td> <td>25-Feb-05</td> </tr> <tr> <td>APVD</td> <td>J. Broeksteeg</td> <td>25-Feb-05</td> </tr> <tr> <td>PRODUCT SPEC</td> <td>108-19064</td> <td></td> </tr> <tr> <td colspan="2">DIMENSIONS: mm</td> <td colspan="2">APPLICATION SPEC</td> <td>NAME</td> </tr> <tr> <td colspan="2">TOLERANCES UNLESS OTHERWISE SPECIFIED:</td> <td colspan="2">114-19019</td> <td>8 pos. Modular Jack Side Entry fully shielded with insulation plate</td> </tr> <tr> <td>0 PLC</td> <td>±0.15</td> <td colspan="2">WEIGHT</td> <td>SIZE</td> </tr> <tr> <td>1 PLC</td> <td>±0.15</td> <td colspan="2">CUSTOMER DRAWING</td> <td>CAGE CODE</td> </tr> <tr> <td>2 PLC</td> <td>±0.15</td> <td colspan="2">SCALE 4:1</td> <td>DRAWING NO</td> </tr> <tr> <td>3 PLC</td> <td>±0.15</td> <td colspan="2">SHEET 2 OF 2</td> <td>RESTRICTED TO</td> </tr> <tr> <td>4 PLC</td> <td>±0.15</td> <td colspan="2">REV C1</td> <td></td> </tr> <tr> <td>ANGLES</td> <td>±0.30°</td> <td colspan="2"></td> <td></td> </tr> <tr> <td>FINISH</td> <td></td> <td colspan="2"></td> <td></td> </tr> </table>			DWN	P. Willem	25-Feb-05		TE Connectivity	CHK	P. Groels	25-Feb-05	APVD	J. Broeksteeg	25-Feb-05	PRODUCT SPEC	108-19064		DIMENSIONS: mm		APPLICATION SPEC		NAME	TOLERANCES UNLESS OTHERWISE SPECIFIED:		114-19019		8 pos. Modular Jack Side Entry fully shielded with insulation plate	0 PLC	±0.15	WEIGHT		SIZE	1 PLC	±0.15	CUSTOMER DRAWING		CAGE CODE	2 PLC	±0.15	SCALE 4:1		DRAWING NO	3 PLC	±0.15	SHEET 2 OF 2		RESTRICTED TO	4 PLC	±0.15	REV C1			ANGLES	±0.30°				FINISH				
DWN	P. Willem	25-Feb-05		TE Connectivity																																																											
CHK	P. Groels	25-Feb-05																																																													
APVD	J. Broeksteeg	25-Feb-05																																																													
PRODUCT SPEC	108-19064																																																														
DIMENSIONS: mm		APPLICATION SPEC		NAME																																																											
TOLERANCES UNLESS OTHERWISE SPECIFIED:		114-19019		8 pos. Modular Jack Side Entry fully shielded with insulation plate																																																											
0 PLC	±0.15	WEIGHT		SIZE																																																											
1 PLC	±0.15	CUSTOMER DRAWING		CAGE CODE																																																											
2 PLC	±0.15	SCALE 4:1		DRAWING NO																																																											
3 PLC	±0.15	SHEET 2 OF 2		RESTRICTED TO																																																											
4 PLC	±0.15	REV C1																																																													
ANGLES	±0.30°																																																														
FINISH																																																															

单击下面可查看定价，库存，交付和生命周期等信息

[>>TE Connectivity\(泰科\)](#)