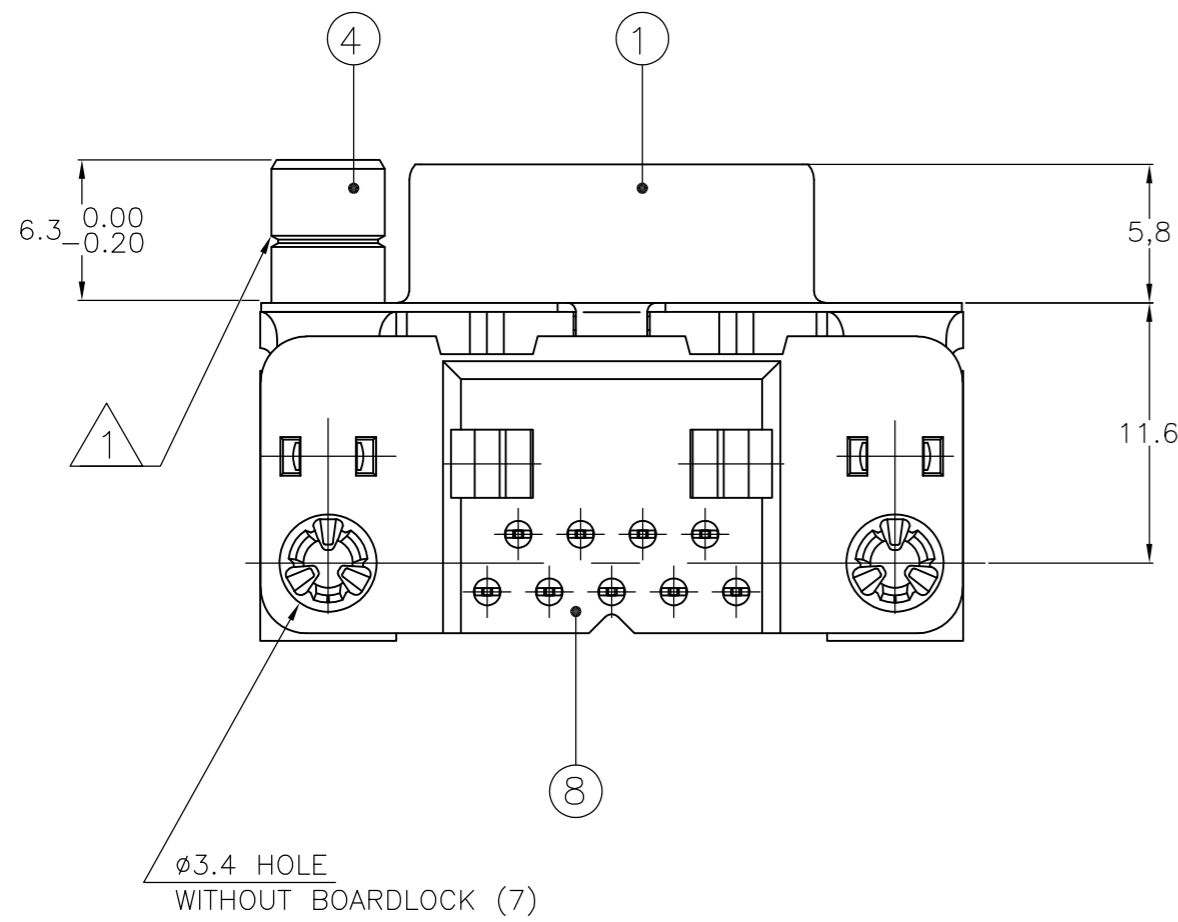
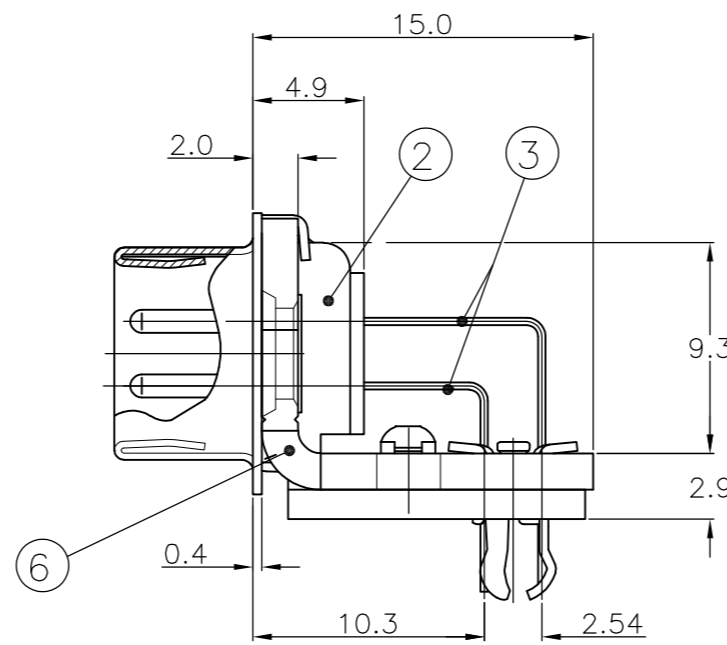
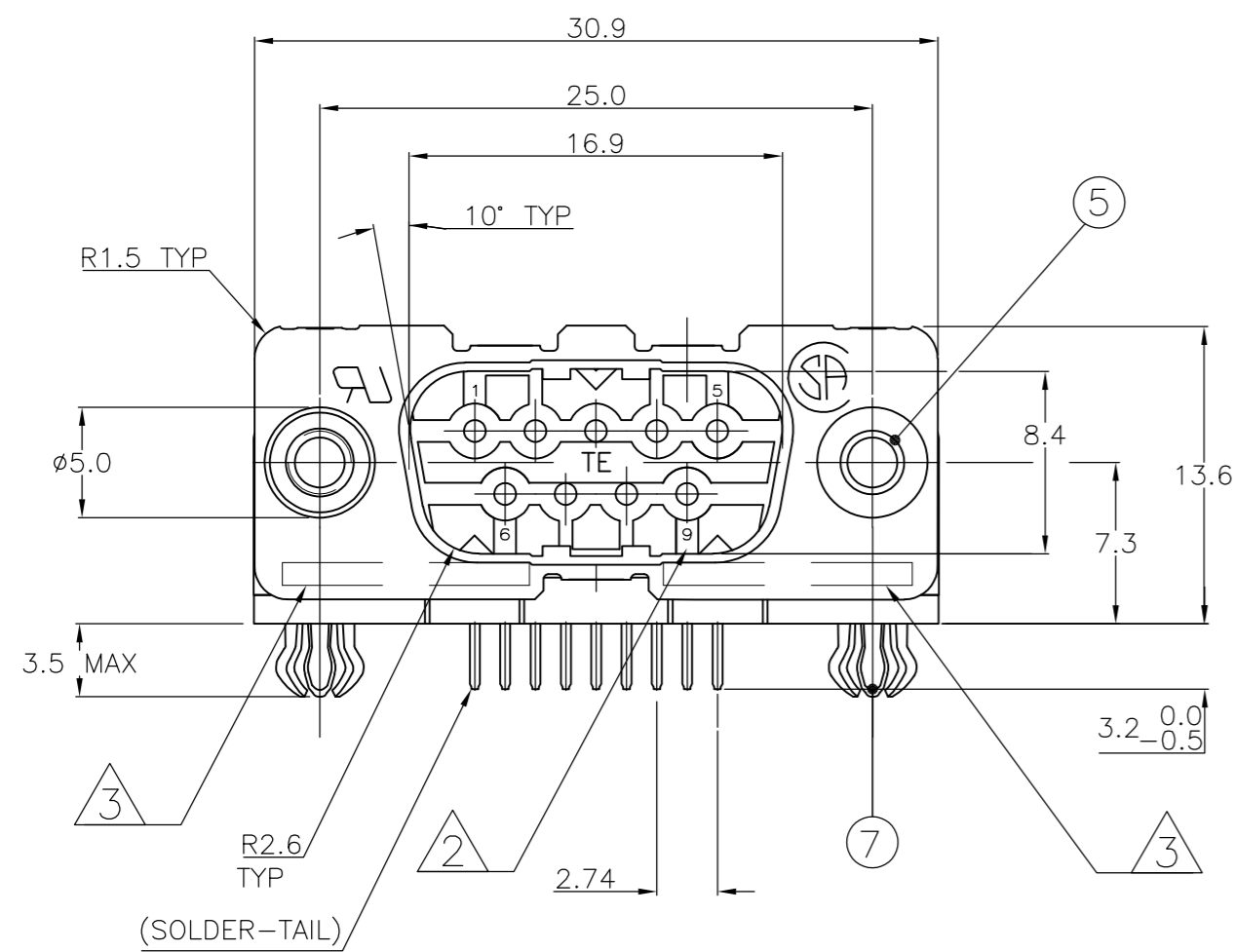


THIS DRAWING IS UNPUBLISHED. RELEASED FOR PUBLICATION  
© COPYRIGHT - By - ALL RIGHTS RESERVED.

LOC		DIST		REVISIONS					
GP		00		P	LTR	DESCRIPTION	DATE	DWN	APVD
				K		REVISED PER ECO-15-004948	27APR2015	AP	SB



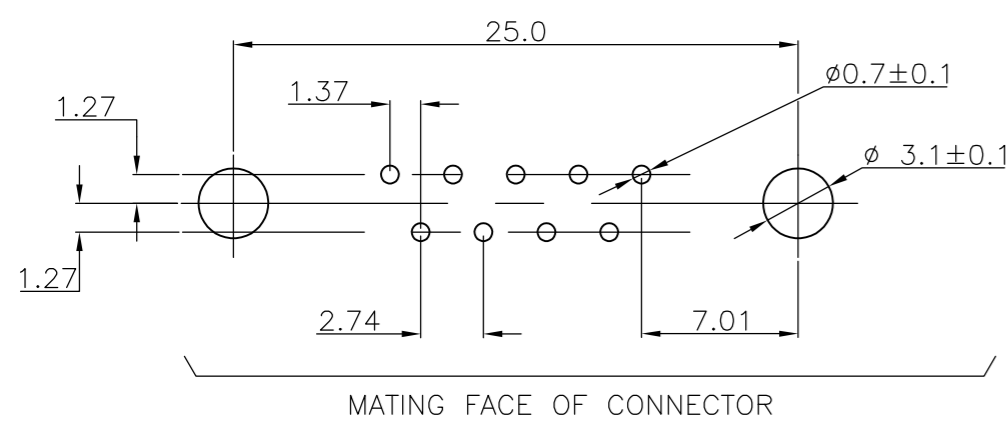
ITEM NO	DESCRIPTION OF ACCESSORY	QUANTITIES								
		1	2	3	4	5	6	7	8	9
5	∅3.1 INSERT					2				
5	INSERT WITH INNER THREAD 4-40 UNC					2				
5	INSERT WITH INNER THREAD M3				2					
4	FEMALE SCREWLOCK WITH 4-40 UNC					2				
4	FEMALE SCREWLOCK WITH M3					2				
7	BOARDLOCK	2	2	2	2	2				

- 1 GROOVE INDICATES VERSION WITH 4-40 UNC INNER THREAD; WITHOUT GROOVE INDICATES VERSION WITH M3 INNER THREAD.
- 2 CAVITY IDENTIFICATION AT FRONT SIDE ONLY.
- 3 PART NUMBER AND DATE CODE.
- 4. SHELL HAS 2x2 GROUNDING SPRINGS; PITCH IS 3.6.
- 5. AIR AND CREEPAGE DISTANCES ACCORDING TO DIN 41652.
- 6. CONTACT FINISH: GOLD FLASH OVER PALLADIUM-NICKEL PLATE OR GOLD PLATE ON THE MATING SURFACES, TIN PLATE ON THE SOLDER-TAILS, NICKEL UNDERPLATE ON THE ENTIRE CONTACT. MATING SURFACE FINISH MEETS PERFORMANCE LEVEL 2 PER DIN 41652.

ITEM NO/MATERIAL :

- 1 SHELL : BRIGHT TIN PLATED STEEL
- 2 HOUSING : GLASS FILLED POLYESTER, COLOR : BLACK
- 3 CONTACTS : PHOSPHOR BRONZE (PLATING : SEE NOTES)
- 4 FEMALE SCREWLOCK : TIN PLATED STEEL (INNER THREAD 4-40 UNC OR M3)
- 5 INSERT : TIN PLATED STEEL (INNER THREAD 4-40 UNC OR M3 OR ∅3.1 THRU-HOLE)
- 6 BRACKET : TIN PLATED STEEL
- 7 BOARDLOCK : TIN PLATED PHOSPHOR BRONZE
- 8 SOLDER TAIL ALIGNMENT PLATE : GLASS FILLED NYLON. COLOR : BLACK

RECOMMENDED P.C. BOARD HOLE-LAYOUT



THIS DRAWING IS A CONTROLLED DOCUMENT. DIMENSIONING AND TOLERANCING PER ASME Y14.5M-2009		DWN D. KESSLER 18 JAN 99	TE Connectivity	
DIMENSIONS: mm		CHK W. SOOMERS		
TOLERANCES UNLESS OTHERWISE SPECIFIED:		APVD	HD-20 SIZE 1 RIGHT ANGLE PLUG HEADER; MARK II+	
0 PLC ± -		PRODUCT SPEC	SIZE CAGE CODE DRAWING NO RESTRICTED TO	
1 PLC ± 0.3		APPLICATION SPEC	A2 00779 C=338168	
2 PLC ± 0.15		WEIGHT	SCALE NTS SHEET 1 OF 1 REV K	
3 PLC ± -		CUSTOMER DRAWING		
4 PLC ± -				
ANGLES ± -				
FINISH				

单击下面可查看定价，库存，交付和生命周期等信息

[>>TE Connectivity\(泰科\)](#)