

THIS DRAWING IS UNPUBLISHED. RELEASED FOR PUBLICATION
 © COPYRIGHT - By - ALL RIGHTS RESERVED.

| LOC | DIST | REVISIONS | | | | | |
|-----|------|-----------|-----|---|-----------|-----|------|
| | 0 | P | LTR | DESCRIPTION | DATE | DWN | APVD |
| | | | C2 | UPDATING STATUS OF 2-1776584-6 FROM PRELIMINARY TO ACTIVE | 03DEC2015 | FP | PS |

PHYSICAL PROPERTIES:

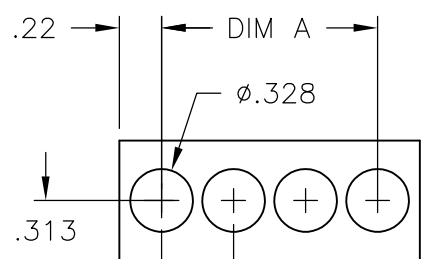
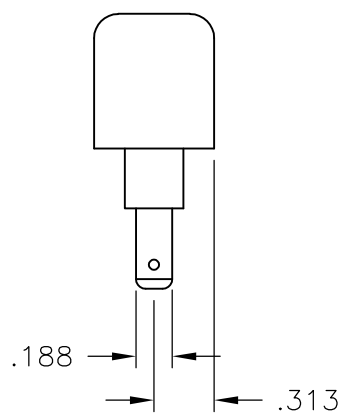
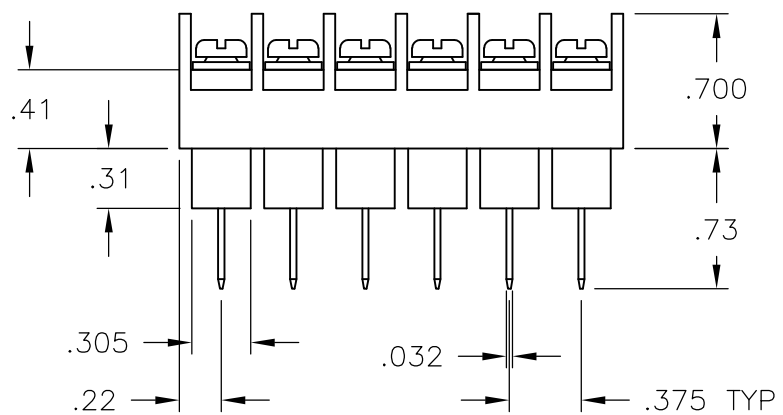
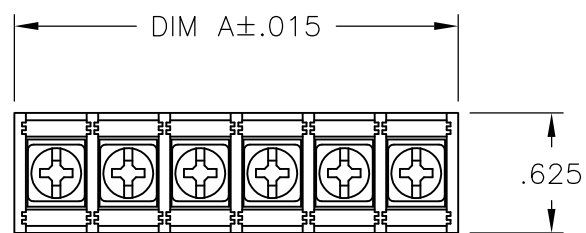
HOUSING: THERMOPLASTIC, UL94V-0, BLACK.
 SCREWS: #6-32 STEEL, ZINC PLATING W/ CLEAR CHROMATE.
 PITCH (TERMINAL SPACING): .375"
 OPERATING TEMP.: 105° C MAX

ELECTRICAL PROPERTIES:

RATED CURRENT: 20A
 OPERATING VOLTAGE: 300V
 WIRE RANGE: 12-22 AWG

1 SEE FIGURE.

2 OBSOLETE PARTS: OBSOLETE CIS STREAMLINING PER D.RENAUD/D.SINISI



MOUNTING PANEL LAYOUT

| | | | | | |
|----------|----------|-------|-------------|------------------------|------------------------|
| 2 | OBSOLETE | 9.436 | 25 | JC6-F408-25 | 2-1776584-5 |
| | 1 | 9.061 | 24 | JC6-F408-24-256 | 2-1776584-6 |
| 2 | OBSOLETE | 9.061 | 24 | JC6-F408-24 | 2-1776584-4 |
| | OBSOLETE | 8.686 | 23 | JC6-F408-23 | 2-1776584-3 |
| | OBSOLETE | 8.311 | 22 | JC6-F408-22 | 2-1776584-2 |
| | OBSOLETE | 7.936 | 21 | JC6-F408-21 | 2-1776584-1 |
| | OBSOLETE | 7.561 | 20 | JC6-F408-20 | 2-1776584-0 |
| | OBSOLETE | 7.186 | 19 | JC6-F408-19 | 1-1776584-9 |
| | OBSOLETE | 6.811 | 18 | JC6-F408-18 | 1-1776584-8 |
| | OBSOLETE | 6.436 | 17 | JC6-F408-17 | 1-1776584-7 |
| | OBSOLETE | 6.061 | 16 | JC6-F408-16 | 1-1776584-6 |
| | OBSOLETE | 5.686 | 15 | JC6-F408-15 | 1-1776584-5 |
| | OBSOLETE | 5.311 | 14 | JC6-F408-14 | 1-1776584-4 |
| | OBSOLETE | 4.936 | 13 | JC6-F408-13 | 1-1776584-3 |
| | OBSOLETE | 4.561 | 12 | JC6-F408-12 | 1-1776584-2 |
| | OBSOLETE | 4.186 | 11 | JC6-F408-11 | 1-1776584-1 |
| OBSOLETE | 3.811 | 10 | JC6-F408-10 | 1-1776584-0 | |
| OBSOLETE | 3.436 | 9 | JC6-F408-09 | 1-1776584-9 | |
| OBSOLETE | 3.061 | 8 | JC6-F408-08 | 1776584-8 | |
| OBSOLETE | 2.686 | 7 | JC6-F408-07 | 1-1776584-7 | |
| OBSOLETE | 2.311 | 6 | JC6-F408-06 | 1776584-6 | |
| OBSOLETE | 1.936 | 5 | JC6-F408-05 | 1-1776584-5 | |
| OBSOLETE | 1.561 | 4 | JC6-F408-04 | 1-1776584-4 | |
| OBSOLETE | 1.186 | 3 | JC6-F408-03 | 1-1776584-3 | |
| OBSOLETE | .811 | 2 | JC6-F408-02 | 1-1776584-2 | |
| | | DIM A | NO OF POS | CATALOG NUMBER | PART NUMBER |

| | | | | | | |
|--|--|-----------------------|----------------------------|-----------|--------------|---------------|
| THIS DRAWING IS A CONTROLLED DOCUMENT. | | DWN S SCHLEGEL 8/2/05 | STE TE Connectivity | | | |
| DIMENSIONS: INCHES | | CHK S YODER 8/2/05 | | | | |
| TOLERANCES UNLESS OTHERWISE SPECIFIED: | | APVD S YODER 8/2/05 | NAME | | | |
| 0 PLC ± - | | PRODUCT SPEC | JC6-F408-XX ASSEMBLY | | | |
| 1 PLC ± - | | APPLICATION SPEC | SIZE | CAGE CODE | DRAWING NO | RESTRICTED TO |
| 2 PLC ± .02 | | WEIGHT - | A3 | 00779 | C-1776584 | - |
| 3 PLC ± .010 | | CUSTOMER DRAWING | SCALE 1:1 | | SHEET 1 OF 2 | REV C2 |
| 4 PLC ± - | | | | | | |
| ANGLES ± - | | | | | | |
| FINISH - | | | | | | |

4

3

2

1

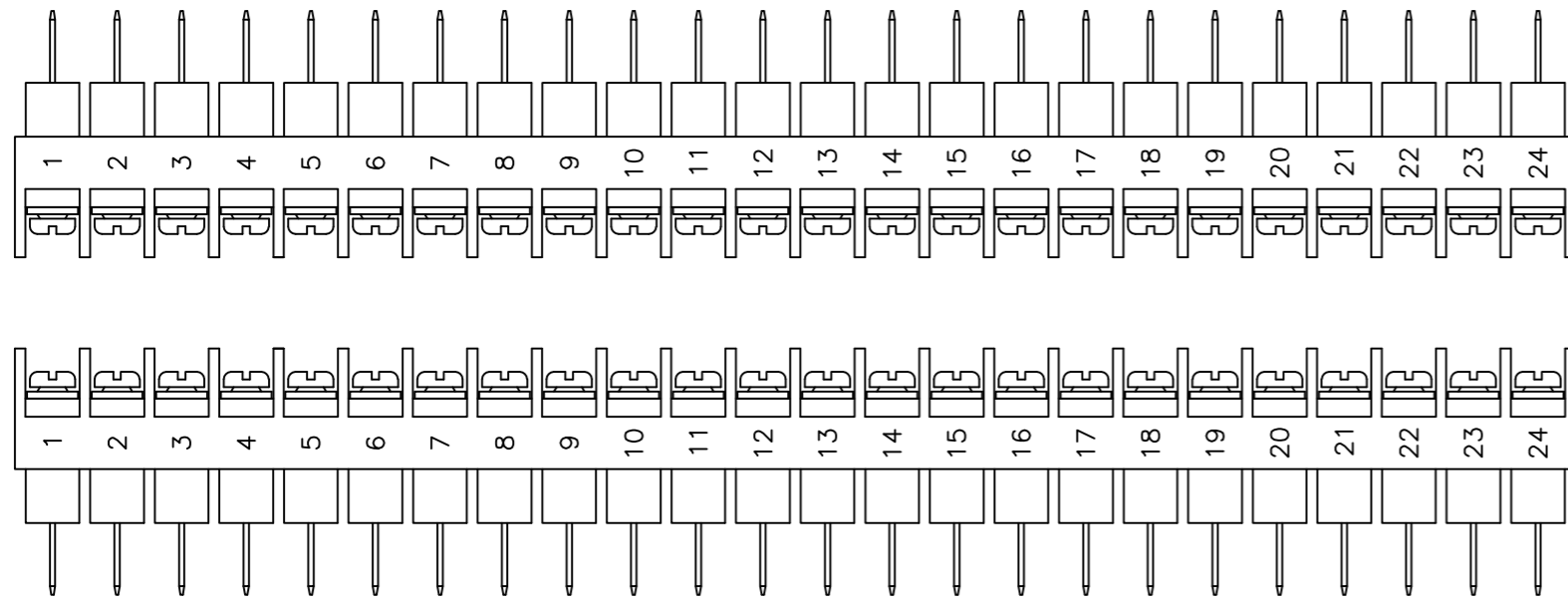
THIS DRAWING IS UNPUBLISHED.

RELEASED FOR PUBLICATION


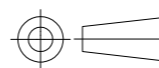
© COPYRIGHT - By -

ALL RIGHTS RESERVED.

| LOC | DIST | REVISIONS | | | | | |
|-----|------|-----------|-----|-------------|------|-----|------|
| | | P | LTR | DESCRIPTION | DATE | DWN | APVD |
| | 0 | - | | SEE SHEET 1 | - | - | - |



2-1776584-6

| | | | | | | | | | | |
|--|--|------------------|------------|--------|--|----------------------|------------|---------------|-----|----|
| THIS DRAWING IS A CONTROLLED DOCUMENT. | | DWN | S SCHLEGEL | 8/2/05 |  TE Connectivity | | | | | |
| DIMENSIONS: INCHES | | CHK | S YODER | 8/2/05 | | | | | | |
|  | | APVD | S YODER | 8/2/05 | | | | | | |
| TOLERANCES UNLESS OTHERWISE SPECIFIED: 0 PLC ± - 1 PLC ± - 2 PLC ± .02 3 PLC ± .010 4 PLC ± - ANGLES ± - | | PRODUCT SPEC | - | NAME | | JC6-F408-XX ASSEMBLY | | | | |
| MATERIAL | | FINISH | - | - | APPLICATION SPEC | - | | | | |
| - | | FINISH | - | - | WEIGHT | - | | | | |
| | | CUSTOMER DRAWING | | SCALE | 1:1 | SHEET | 2 OF 2 | RESTRICTED TO | - | |
| | | SIZE | | A3 | CAGE CODE | 00779 | DRAWING NO | C-1776584 | REV | C2 |

单击下面可查看定价，库存，交付和生命周期等信息

[>>TE Connectivity\(泰科\)](#)