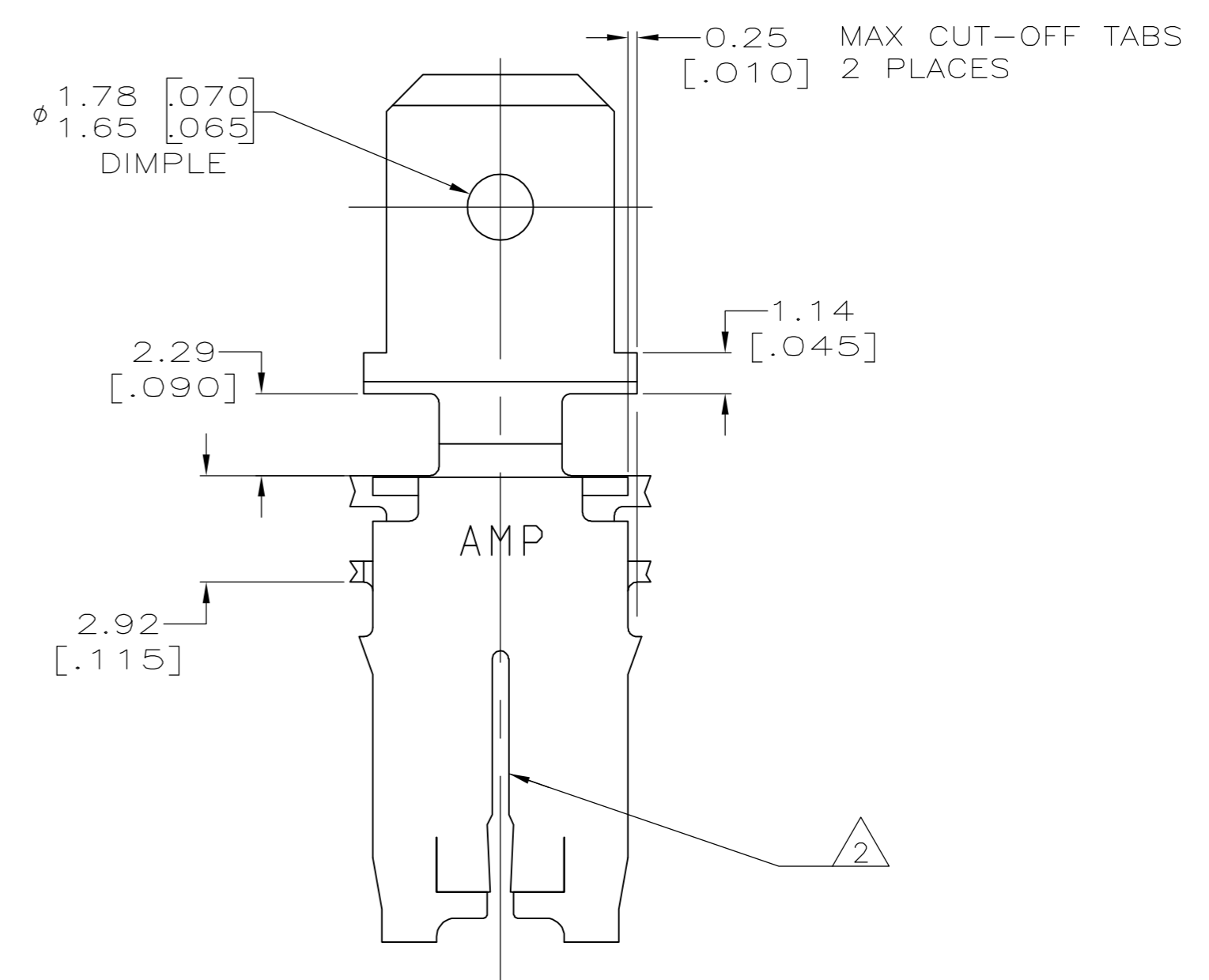
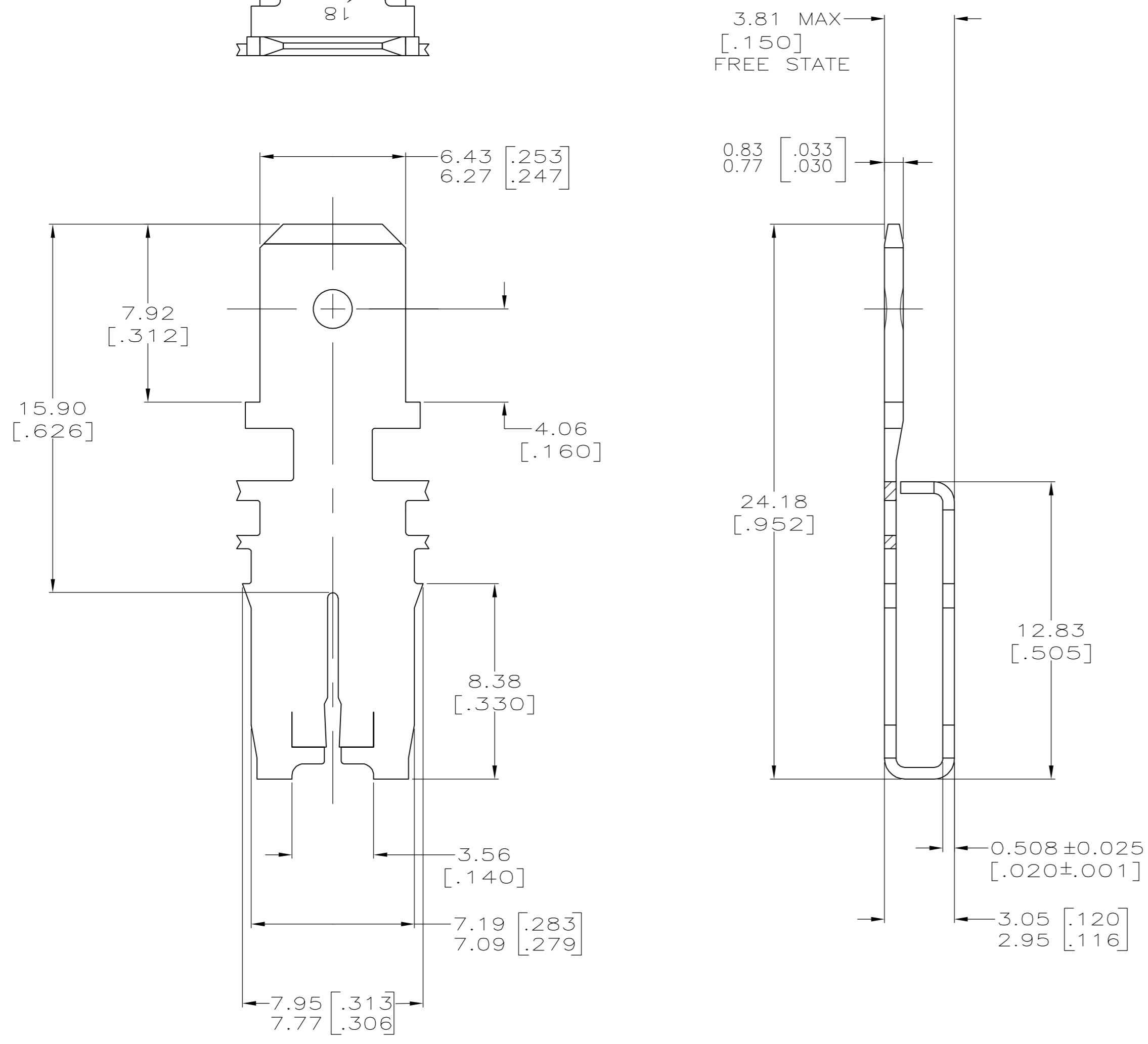


THIS DRAWING IS UNPUBLISHED. RELEASED FOR PUBLICATION
 © COPYRIGHT BY TYCO ELECTRONICS CORPORATION. ALL RIGHTS RESERVED.

LOC		DIST		REVISIONS			
P	LTR	DESCRIPTION		DATE	DWN	APVD	
	J	REVISED PER ECR-06-010427		31AUG06	HMR	KR	

- 1 CONTINUOUS STRIP ON REELS WITH TERMINALS LOCATED ON 8.38±0.08 [.330±.003] CENTERS.
- 2 SLOTTED ACCEPTS 0.64-0.81mm DIA [#22-#20] AWG COPPER MAGNET WIRE. TWO WIRES OF THE SAME SIZE MAX PER SLOT.
- 3 AFTER INSERTION INTO PLASTIC HOLDER, TAB PORTION MUST BE BENT OVER 45° TO 90° OR POTTED-IN TO PREVENT PULL-OUT WHEN MATING RECEPTACLE IS DISCONNECTED.
- 4 VARNISH RESIST OVER 0.002032 [.000080] MIN TIN PLATE.



63155-1
PART NUMBER

THIS DRAWING IS A CONTROLLED DOCUMENT.		DWN MICHAEL S. FEHER 07MAY1999	tyco Electronics Tyco Electronics Corporation Harrisburg, PA 17105-3608	
DIMENSIONS: mm [INCHES]		CHK JEFF R. RUTH 07JUN1999	NAME KURT A. RANDOLPH	
TOLERANCES UNLESS OTHERWISE SPECIFIED:		APVD KURT A. RANDOLPH 07JUN1999	PRODUCT SPEC 108-2053	
0 PLC ± -		APPLICATION SPEC 114-2066		
1 PLC ± -		SIZE A2		
2 PLC ± 0.25 [.010]		CAGE CODE 00779		
3 PLC ± -		DRAWING NO C=63155		
4 PLC ± -		RESTRICTED TO -		
4 ANGLES ± -		WEIGHT -		
MATERIAL 4M PRE-MILLED BRASS		FINISH 4		
CUSTOMER DRAWING		SCALE 6:1		
		SHEET 1 of 1		
		REV J		

单击下面可查看定价，库存，交付和生命周期等信息

[>>TE Connectivity\(泰科\)](#)