

4

3

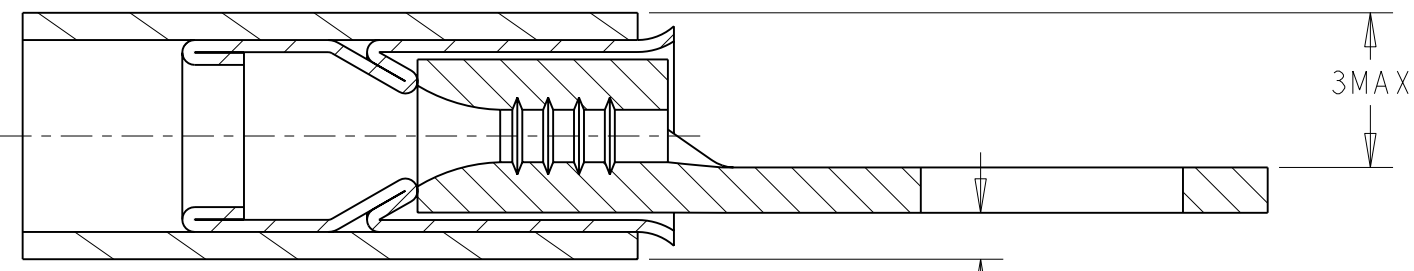
2

1

THIS DRAWING IS UNPUBLISHED. RELEASED FOR PUBLICATION 20
 © COPYRIGHT 20 BY TYCO ELECTRONICS CORPORATION. ALL RIGHTS RESERVED.

| LOC | DIST | REVISIONS | | | |
|-----|------|-------------|---------------|-----------|-------|
| P | LTR | DESCRIPTION | DATE | DWN | APVD |
| F | 00 | B | ECR 07-025006 | 23OCT2007 | JT GR |

COUPE C-C

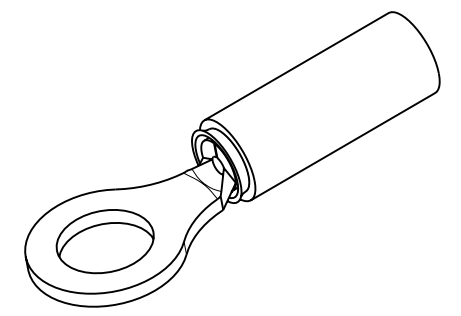


3MAX

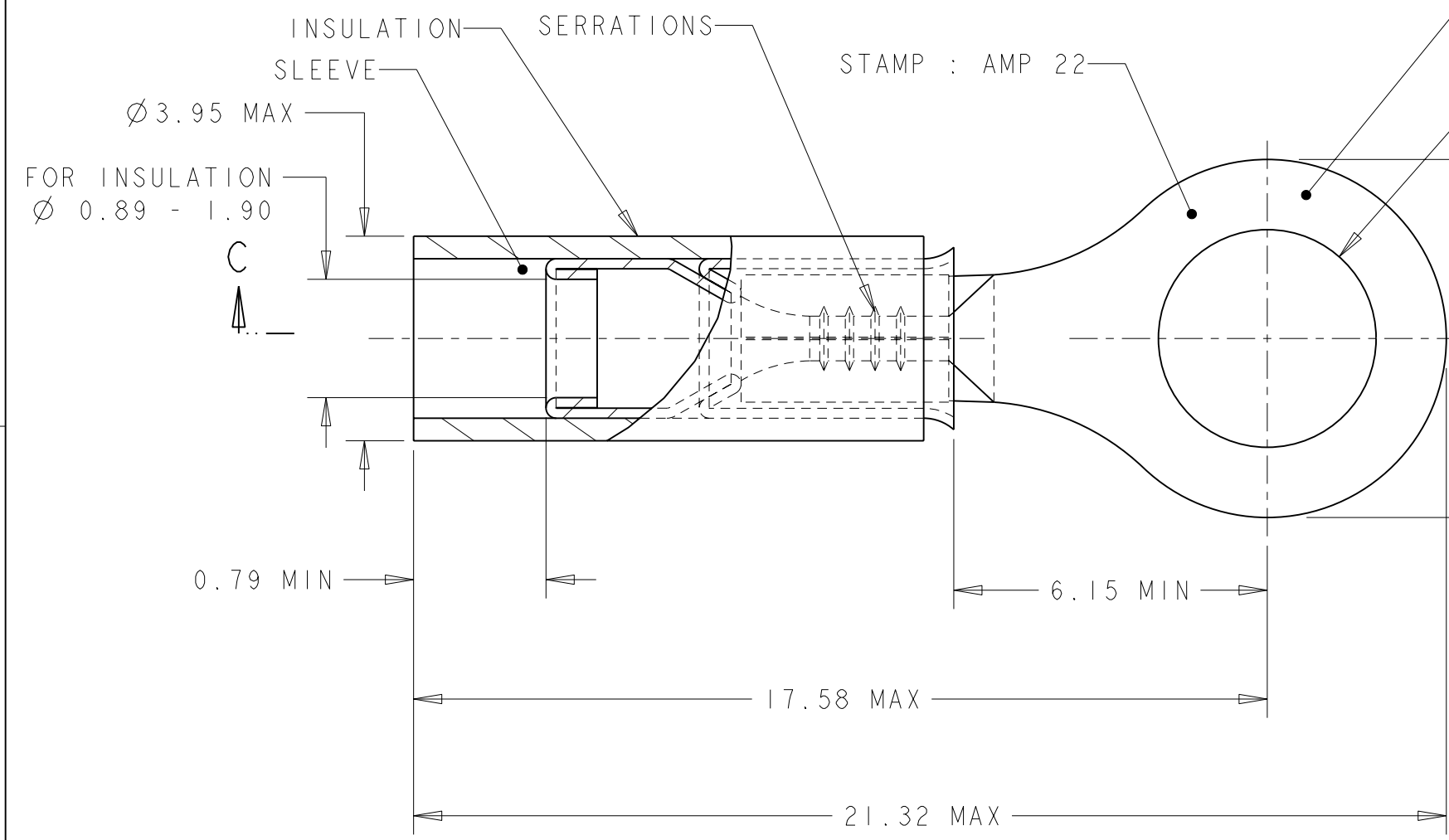
1.2MAX

BODY 0.80±0.03 TONGUE THICKNESS

Ø 4.34±0.08 FOR #8 OR M4 STUD



SCALE 3:1



| | | |
|---------------|-------------|--|
| WIRE TERMINAL | 1577620-1 | BODY : COPPER ANNEALED FINISH : NICKEL PLATED |
| | | SLEEVE : COPPER ANNEALED FINISH : NICKEL PLATED |
| | | INSULATION : PEEK COLOR : BROWN |
| DESCRIPTION | PART NUMBER | MATERIAL & FINISH |

| | | | |
|--|--|---|--|
| THIS DRAWING IS A CONTROLLED DOCUMENT FOR TYCO ELECTRONICS CORPORATION IT IS SUBJECT TO CHANGE AND THE CONTROLLING ENGINEERING ORGANIZATION SHOULD BE CONTACTED FOR THE LATEST REVISION. | | DWN JJ. DESPRETZ 18OCT2005 CHK G. ROBERT 18OCT2005 APVD Y. PETRONIN 18OCT2005 | tyco Electronics TYCO ELECTRONICS France SAS BP 30039, 95301 CERGY-PONTOISE Cedex |
| DIMENSIONS: mm | TOLERANCES UNLESS OTHERWISE SPECIFIED: 0 PLC ±- 1 PLC ±0.30 2 PLC ±- 3 PLC ±- 4 PLC ±- ANGLES ±5 | PRODUCT SPEC 108-15356 APPLICATION SPEC 114-15102 WEIGHT 0,65 gr | NAME TERMINAL, PEEK PIDG STRATO, 24-22 AWG SIZE A3 CAGE CODE 00779 DRAWING NO C-1577620 RESTRICTED TO - |
| MATERIAL SEE TABLE | FINISH SEE TABLE | CUSTOMER DRAWING | SCALE 8:1 SHEET 1 OF 1 REV B |

单击下面可查看定价，库存，交付和生命周期等信息

[>>TE Connectivity\(泰科\)](#)