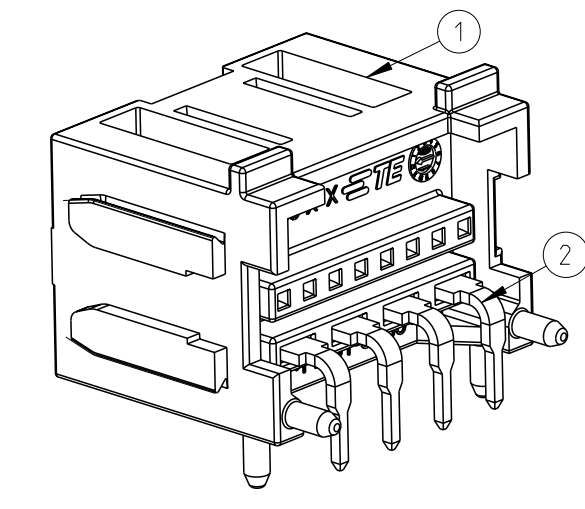
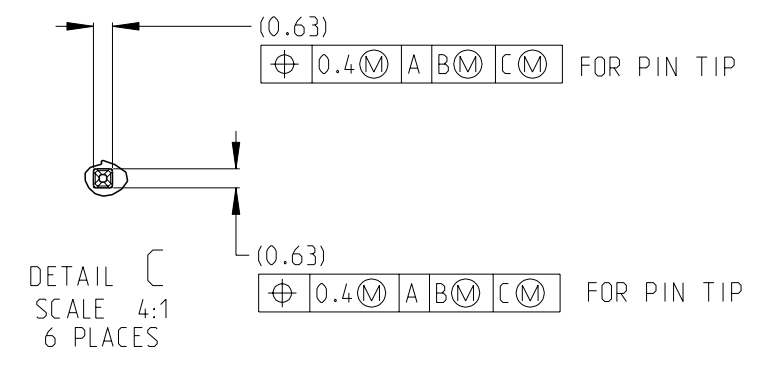
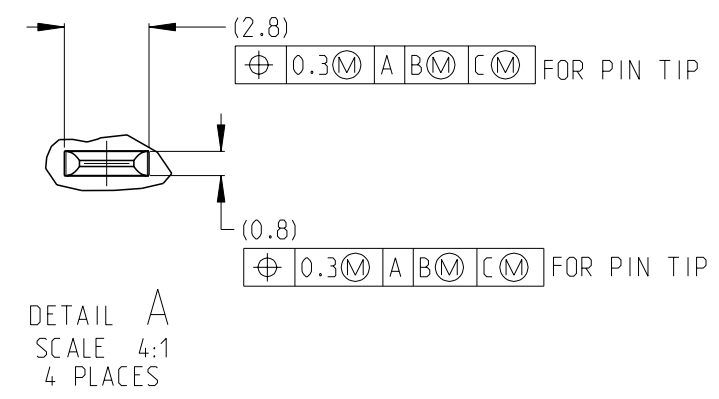
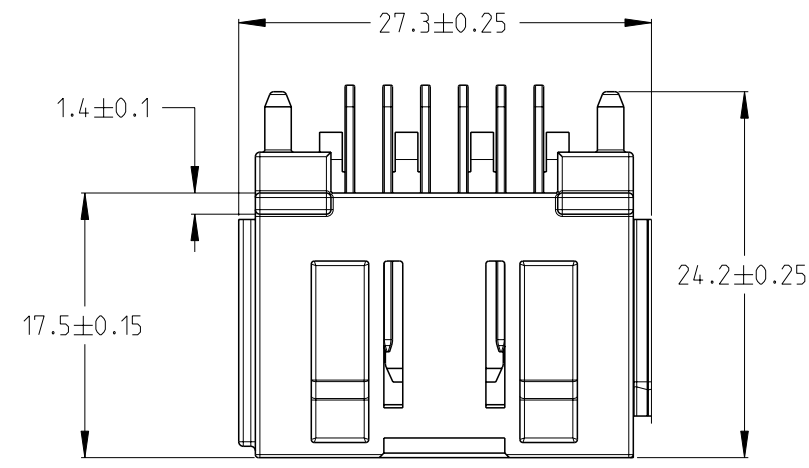


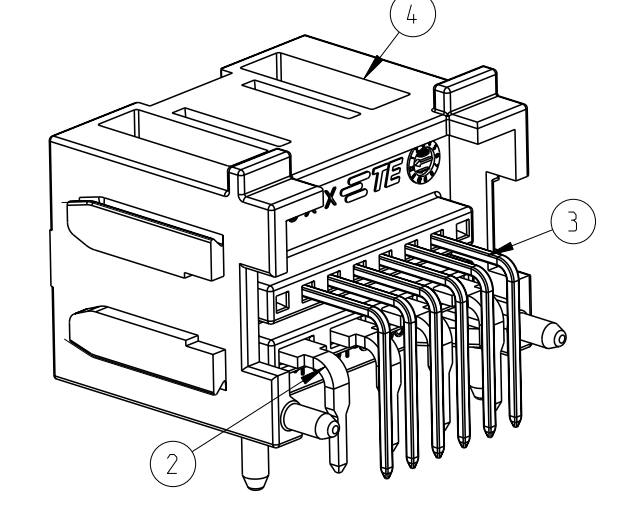
THIS DRAWING IS UNPUBLISHED. RELEASED FOR PUBLICATION 20  
 © COPYRIGHT 20 BY - ALL RIGHTS RESERVED.

REVISIONS					
P	LTR	DESCRIPTION	DATE	DWN	APVD
A1	ECN-21-130135		09DEC21	T.T	J.Z
A2	ECN-22-187734		01DEC22	Y.Y	J.Z
A3	ECN-23-196290		01FEB23	C.J	J.Z
A4	ECN-23-241148		27NOV23	C.J	J.Z

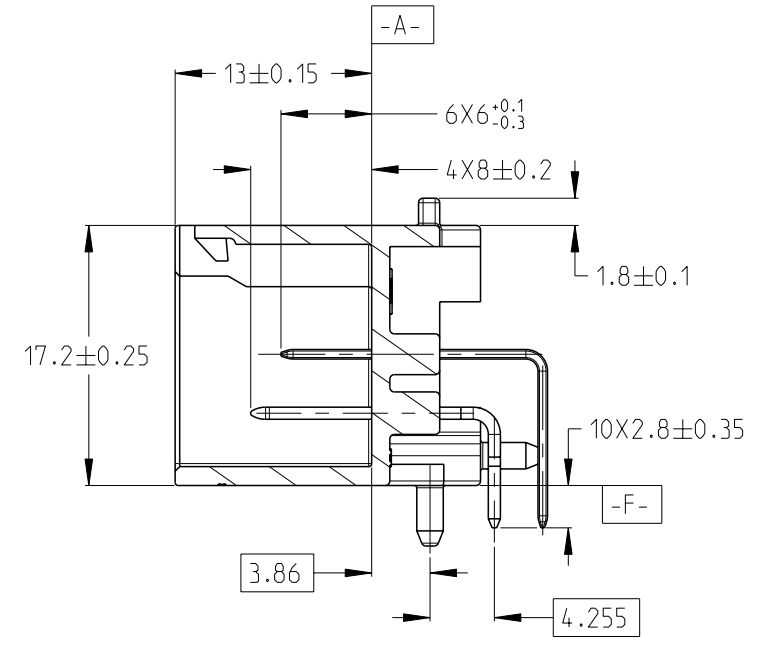
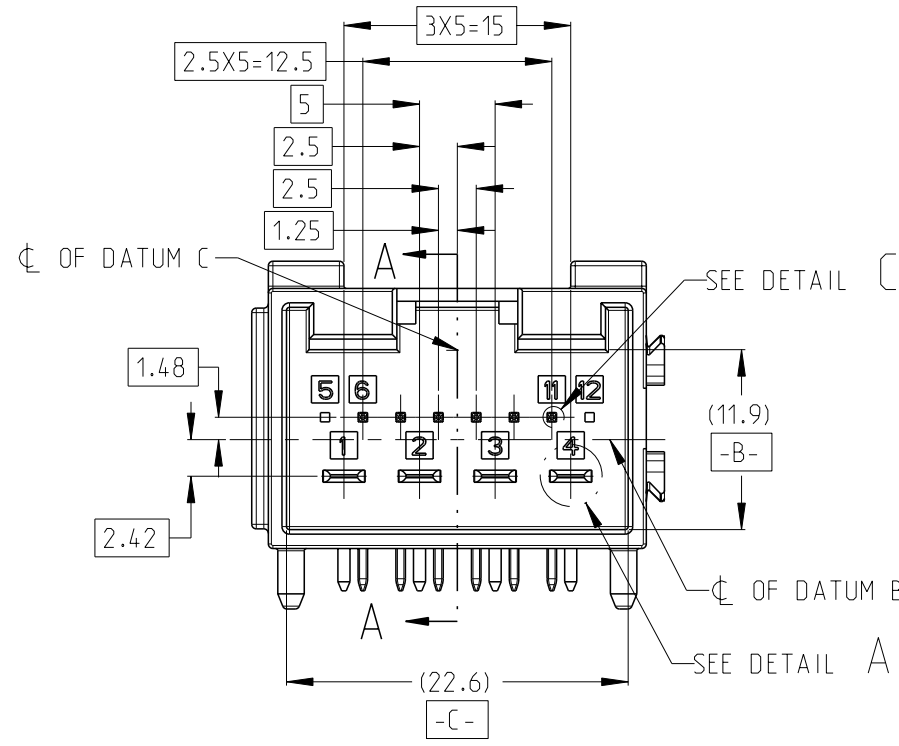
10 WAY CODING A-D 2311788-5 AS SHOWN:



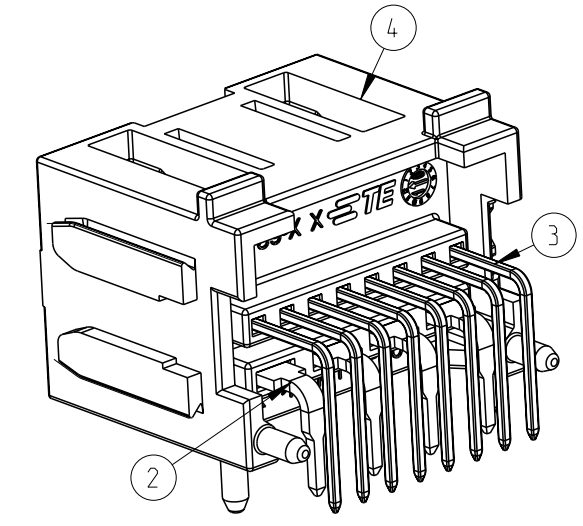
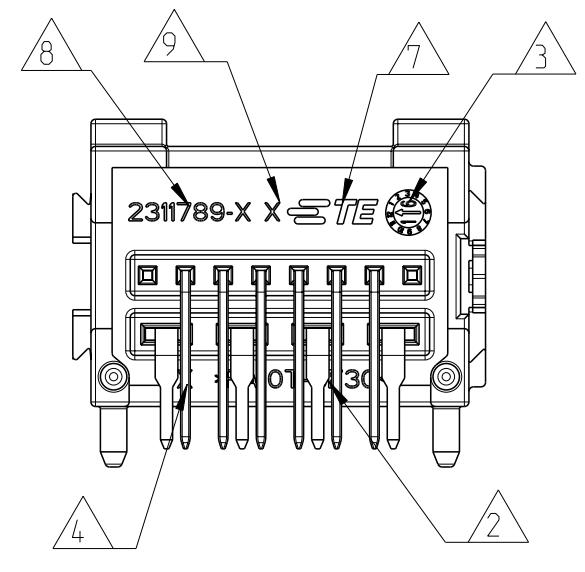
4 WAY AS SHOWN



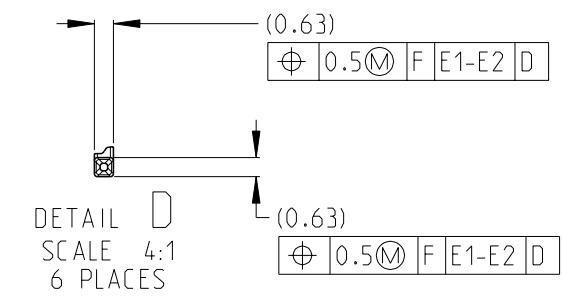
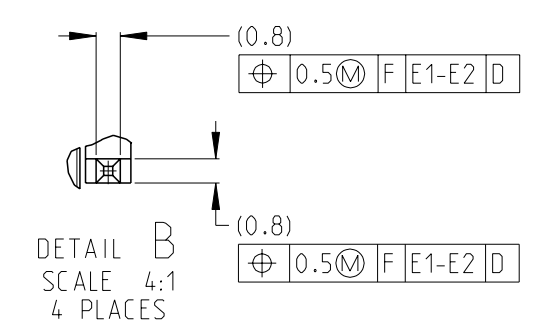
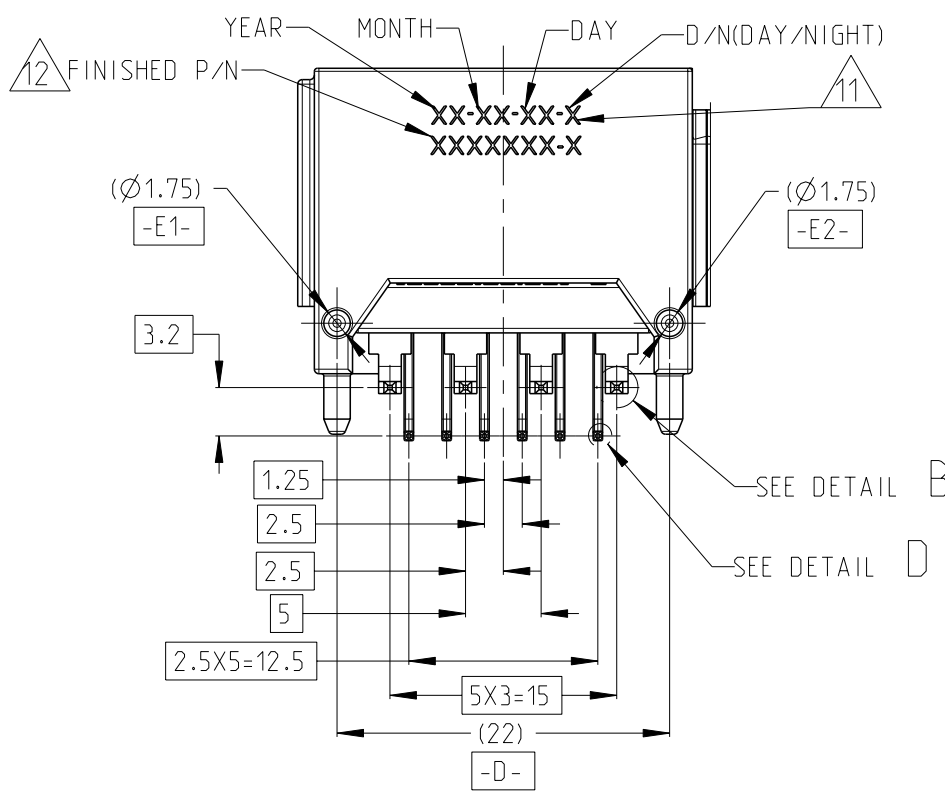
10 WAY HYBRID AS SHOWN



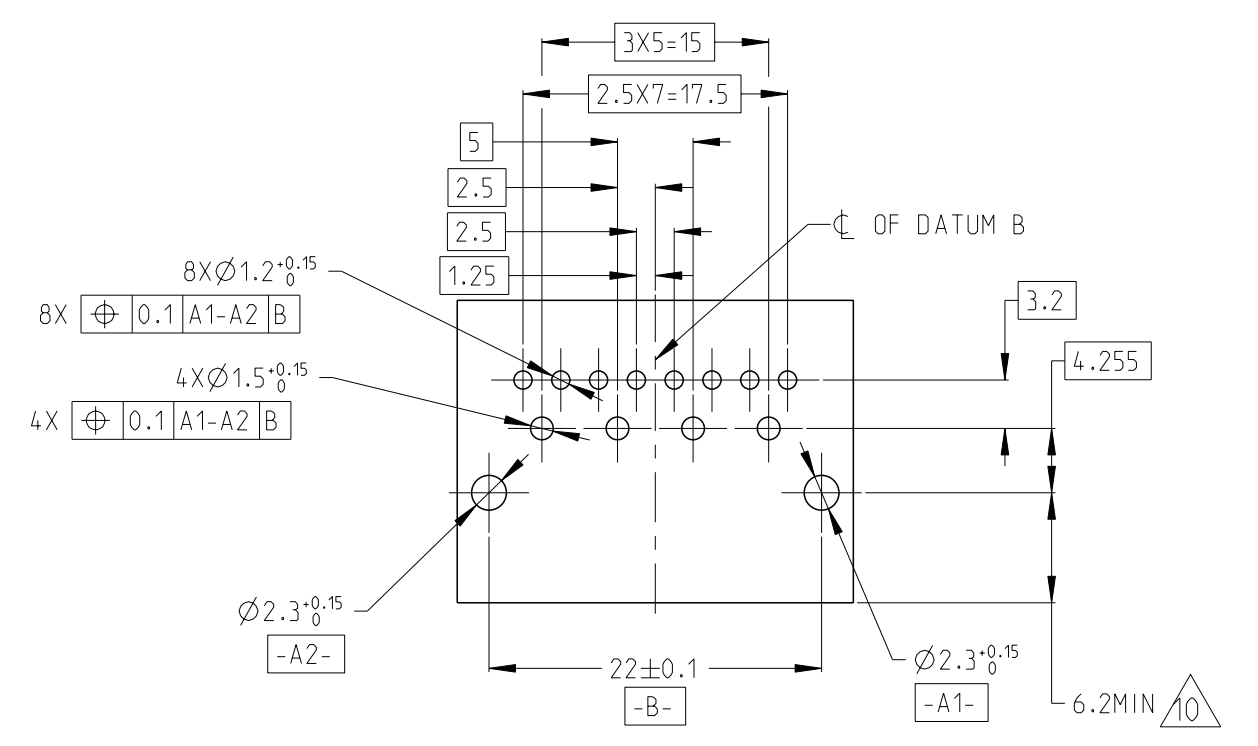
SECTION A-A



12 WAY HYBRID AS SHOWN



- 1 PLASTIC MATERIAL: PA10T OR SPS  
TAB PIN MATERIAL: CuZn30  
SQ PIN MATERIAL: CuZn30  
PLATING SPEC: TIN OVER NICKEL
- 2 MATERIAL MARKING
- 3 PLASTIC HOUSING PRODUCTION MONTH CLOCK
- 4 TOOL CAVITY MARKING 1.2.3.4...
- 5. PRODUCT OPERATION TEMPERATURE RANGE:-40°C~105°C
- 6. SUITABLE MATING CONNECTOR: 2322347
- 7 TE-LOGO
- 8 TE SEMIFINISHED PART NUMBER
- 9 TE SEMIFINISHED HOUSING PART REVISION
- 10 PRODUCT STABILIZATION FOR SOLDERING PROCESS
- 11 PRODUCT ASSEMBLY DATA INFORMATION
- 12 THE FINISHED P/N: X-2311788-X
- 13 FOR 12P P/N 1-2311788-#  
THE PLUG TO HEADER MATING/UN-MATING FORCE DEVIATION TO 85N
- 14. UNDEFINED DIMENSIONS ACCORDING TO TE INTERFACE DRAWING 114-101068



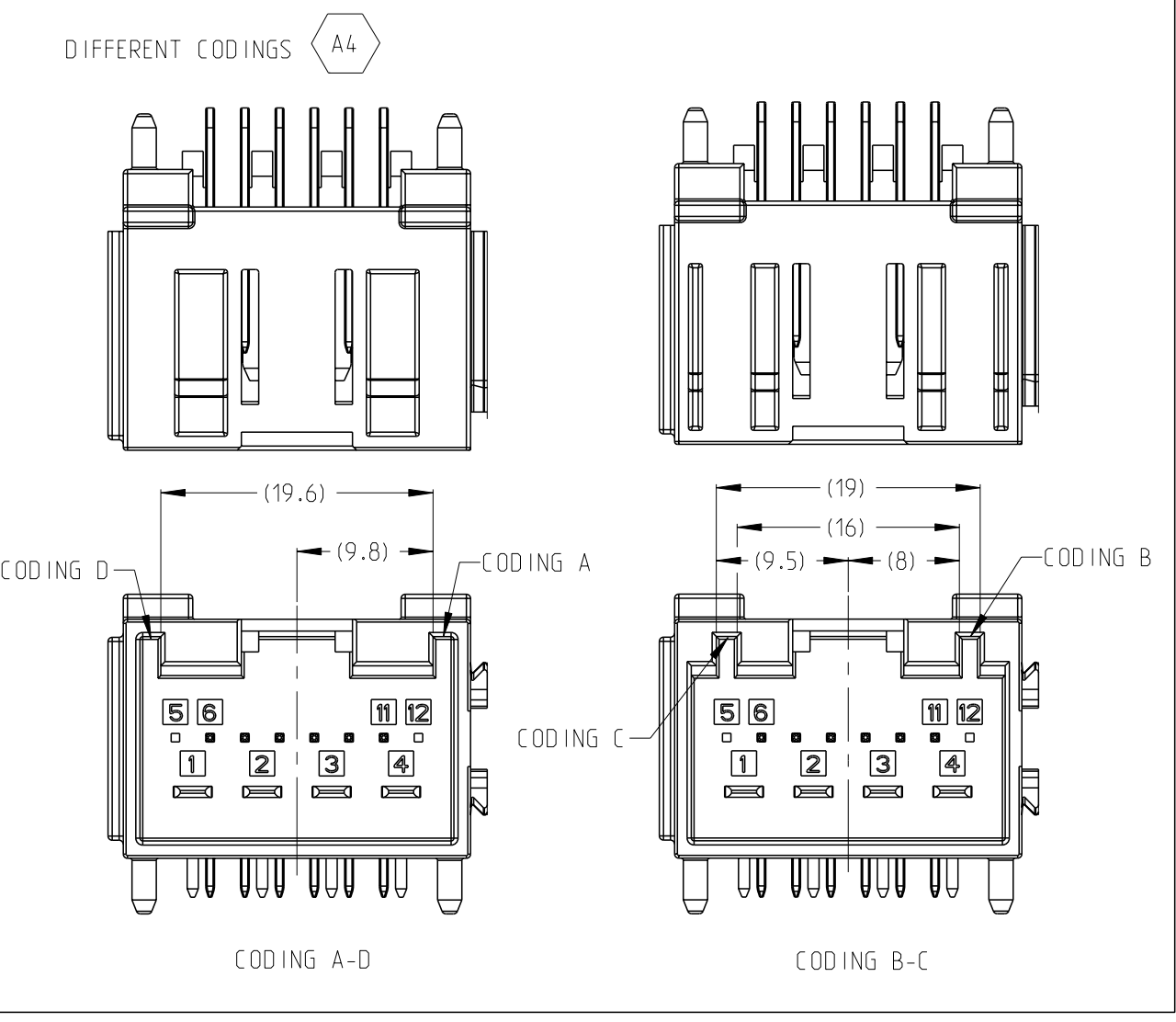
RECOMMENDED PCB LAY-OUT THICKNESS 1.6±0.14mm

THIS DRAWING IS A CONTROLLED DOCUMENT.		DWN K.WEI 18JUN2017	TE Connectivity	
DIMENSIONS: mm		CHK E.JIANG 08AUG2017		
TOLERANCES UNLESS OTHERWISE SPECIFIED:		APVD I.YIN 09AUG2017	NAME 4 WAY POWER/10 WAY/12 WAY HYBRID HEADER	
0-PLC ±		PRODUCT SPEC 108-101599	SIZE A2	
1-PLC ±0.1		APPLICATION SPEC 114-101065	CAGE CODE 00779	
2-PLC ±0.01		WEIGHT -	DRAWING NO C=2311788	
3-PLC ±0.001		RESTRICTED TO -	SCALE 2:1	
4-PLC ±0.0001		CUSTOMER DRAWING	SHEET 1 OF 2	
ANGLES ±			REV A4	
FINISH				

Printed on 27 Nov 2023 15:50 (China Standard Time) from TES0287

THIS DRAWING IS UNPUBLISHED. RELEASED FOR PUBLICATION 20  
 © COPYRIGHT 20 BY - ALL RIGHTS RESERVED.

REVISIONS				
P	LTR	DESCRIPTION	DATE	APVD
		SEE SHEET 1		



TE P/N	DESCRIPTION	CODING				PIN LOCATION	DIM	QTY	PART DESCRIPTION	MATERIAL	COLOR/FINISH	ITEM NO			
		A	B	C	D										
5-2311788-3	12 WAY HYBRID HEADER	X	F	F	X	X	X	X	X	X	X	X			
		A-D	X	X	X	X									
5-2311788-2		F	X	X	F	X	X	X	X	X	X	X			
		B-C	X	X	X	X									
5-2311788-1		X	F	F	X	X	X	X	X	X	X	X			
		A-D	X	X	X	X									
4-2311788-2		F	X	X	F	X	X	X	X	X	X	X			
		B-C	X	X	X	X									
4-2311788-1		X	F	F	X	X	X	X	X	X	X	X			
		A-D	X	X	X	X									
1-2311788-4		F	X	F	X	X	X	X	X	X	X	X			
		B-D	X	X	X	X									
1-2311788-3	X	F	X	F	X	X	X	X	X	X	X				
	A-C	X	X	X	X										
1-2311788-2	F	X	X	F	X	X	X	X	X	X	X				
	B-C	X	X	X	X										
1-2311788-1	X	F	F	X	X	X	X	X	X	X	X				
	A-D	X	X	X	X										
2311788-8	10 WAY HYBRID HEADER	F	X	F	X	-	-	-	-	-	-	-			
		B-D	X	X	X	X									
2311788-7		X	F	X	F	-	-	-	-	-	-	-			
		A-C	X	X	X	X									
2311788-6		F	X	X	F	-	-	-	-	-	-	-			
		B-C	X	X	X	X									
2311788-5		X	F	F	X	-	-	-	-	-	-	-			
		A-D	X	X	X	X									
2311788-4		4 WAY POWER HEADER	F	X	F	X	-	-	-	-	-	-	-		
			B-D	X	X	X	X								
2311788-3			X	F	X	F	-	-	-	-	-	-	-		
			A-C	X	X	X	X								
2311788-2	F		X	X	F	-	-	-	-	-	-	-			
	B-C		X	X	X	X									
2311788-1	X		F	F	X	-	-	-	-	-	-	-			
	A-D		X	X	X	X									
12	TE P/N	A	B	C	D	5	6	7	8	9	10	11	12		
	DESCRIPTION	CODING				PIN LOCATION				TRAY	QTY	PART DESCRIPTION	MATERIAL	COLOR/FINISH	ITEM NO
		PART LIST													

"X"...EXISTING "F"...FILLED "-"...DO NOT EXISTING

THIS DRAWING IS A CONTROLLED DOCUMENT.

DWN: K.WEI 18JUN2017  
 CHK: E.JIANG 08AUG2017  
 APVD: J.LIN 09AUG2017

DIMENSIONS: mm

TOLERANCES UNLESS OTHERWISE SPECIFIED:  
 0-PLC ±  
 1-PLC ±0.1  
 2-PLC ±0.01  
 3-PLC ±0.001  
 4-PLC ±0.0001  
 ANGLES ±  
 FINISH

MATERIAL: -

WEIGHT: -

CUSTOMER DRAWING

SCALE: 2:1

SHEET: 2 OF 2

REV: A4

NAME: 4 WAY POWER/10 WAY/12 WAY HYBRID HEADER

SIZE: A2

CAGE CODE: 00779

DRAWING NO: C-2311788

RESTRICTED TO: -

TE Connectivity

Printed on 27 Nov 2023 15:50 (China Standard Time) from TES0287

单击下面可查看定价，库存，交付和生命周期等信息

[>>TE Connectivity\(泰科\)](#)