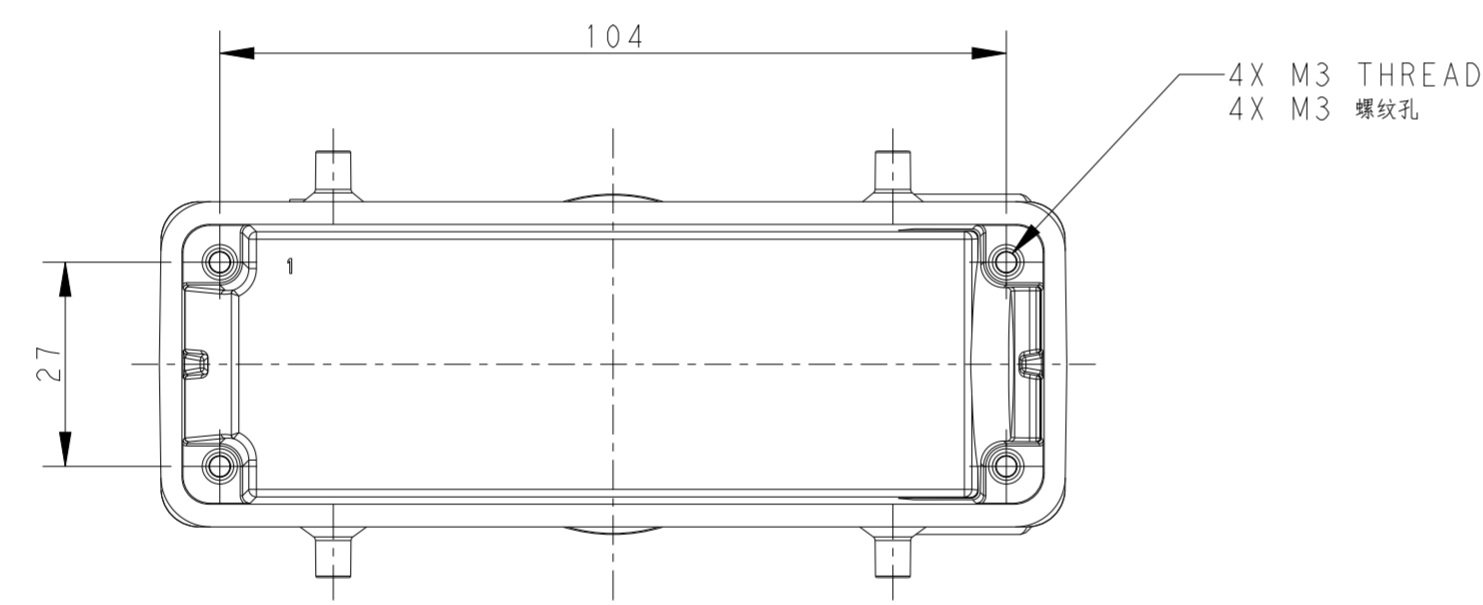
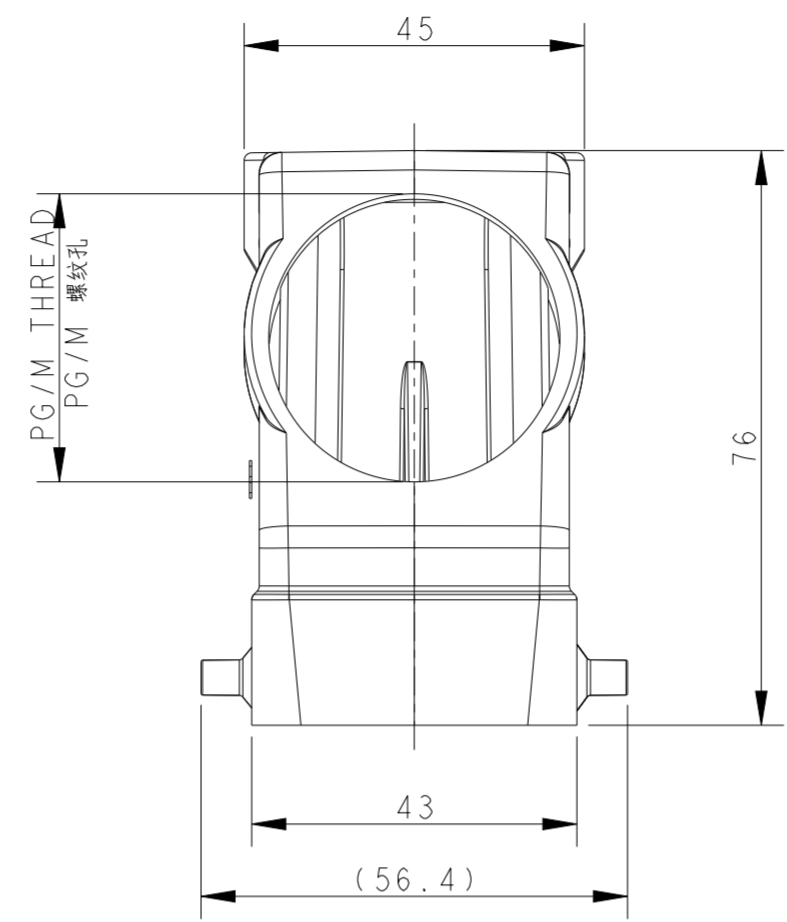
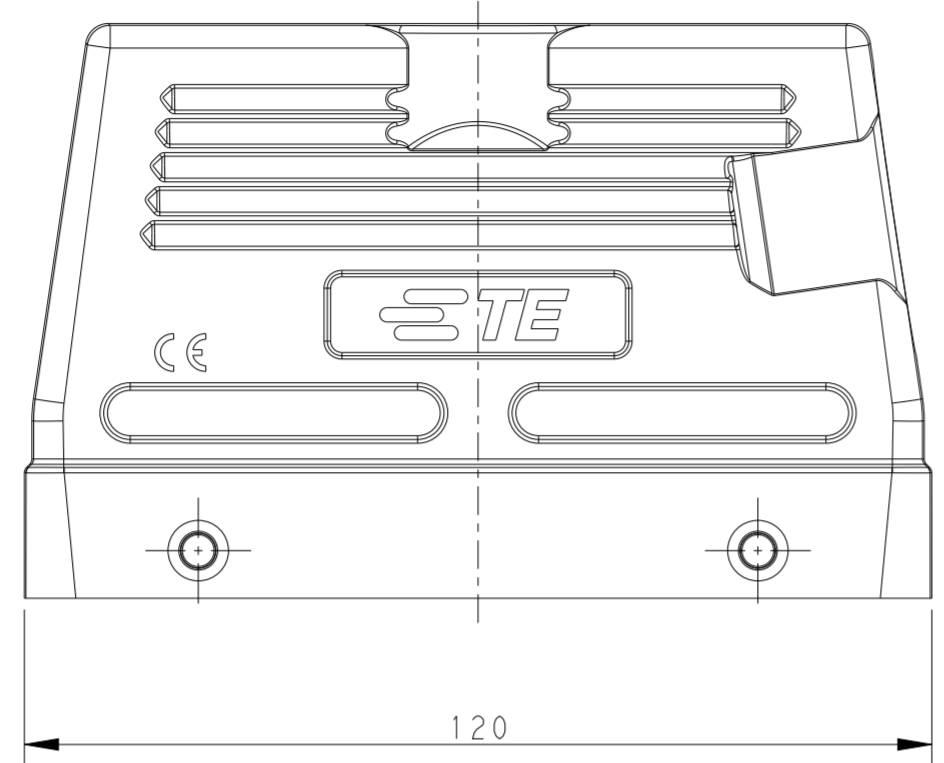
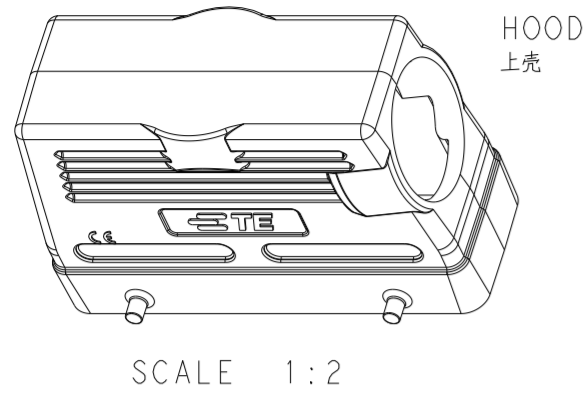


THIS DRAWING IS UNPUBLISHED. RELEASED FOR PUBLICATION 20
 © COPYRIGHT 20 BY - ALL RIGHTS RESERVED.

REVISIONS					
P	LTR	DESCRIPTION	DATE	DWN	APVD
A3		ECR-16-010326	07JUL2016	DW	CW
A4		ECR-16-018349	30DEC2016	DW	CW
B		ECR-18-016587	22OCT2018	GY	CW
C		ECR-20-014876	26OCT2020	WOR	CW



NOTES:
 1. TECHNICAL CHARACTERISTICS:
 HOOD MATERIAL: DIE CAST ALUMINIUM ALLOY
 HOOD SURFACE: POWDER COATED, GREY, RAL7037
 DEGREE OF PROTECTION: IP65 (MATED)

注释:
 1. 技术参数:
 上壳材料: 铝合金
 上壳表面处理: 灰色粉末涂层, RAL7037
 防护等级: IP65 (配合)

T1230240121-000	H24B-TSH-PG21	H24B HOOD, SIDE ENTRY PG21, 4 EAR, HIGH CONSTRUCTION, POWDER COATED, GREY H24B上壳, 侧出PG21, 4耳, 高结构, 灰色粉末喷涂	PG21
T1230240129-000	H24B-TSH-PG29	H24B HOOD, SIDE ENTRY PG29, 4 EAR, HIGH CONSTRUCTION, POWDER COATED, GREY H24B上壳, 侧出PG29, 4耳, 高结构, 灰色粉末喷涂	PG29
T1230240125-000	H24B-TSH-M25	H24B HOOD, SIDE ENTRY M25, 4 EAR, HIGH CONSTRUCTION, POWDER COATED, GREY H24B上壳, 侧出M25, 4耳, 高结构, 灰色粉末喷涂	M25
T1230240132-000	H24B-TSH-M32	H24B HOOD, SIDE ENTRY M32, 4 EAR, HIGH CONSTRUCTION, POWDER COATED, GREY H24B上壳, 侧出M32, 4耳, 高结构, 灰色粉末喷涂	M32
T1230240140-000	H24B-TSH-M40	H24B HOOD, SIDE ENTRY M40, 4 EAR, HIGH CONSTRUCTION, POWDER COATED, GREY H24B上壳, 侧出M40, 4耳, 高结构, 灰色粉末喷涂	M40
PART NUMBER 零件料号	PART DESCRIPTION 零件描述		PG/M THREAD PG/M 螺纹孔

THIS DRAWING IS A CONTROLLED DOCUMENT.		DWN DAVID WANG 11 JUN 2014	TE Connectivity															
DIMENSIONS: mm		CHK CHRIS WANG 11 JUN 2014																
TOLERANCES UNLESS OTHERWISE SPECIFIED:		APVD XIANG XU 11 JUN 2014	NAME H24B-TSH-M/PG															
<table border="0"> <tr><td>0 PLC</td><td>±</td></tr> <tr><td>1 PLC</td><td>±</td></tr> <tr><td>2 PLC</td><td>±</td></tr> <tr><td>3 PLC</td><td>±</td></tr> <tr><td>4 PLC</td><td>±</td></tr> <tr><td>ANGLES</td><td>±</td></tr> <tr><td>FINISH</td><td>±</td></tr> </table>		0 PLC	±	1 PLC	±	2 PLC	±	3 PLC	±	4 PLC	±	ANGLES	±	FINISH	±	PRODUCT SPEC 108-137013	RESTRICTED TO	
0 PLC	±																	
1 PLC	±																	
2 PLC	±																	
3 PLC	±																	
4 PLC	±																	
ANGLES	±																	
FINISH	±																	
MATERIAL		APPLICATION SPEC 114-137013	SIZE A2	CAGE CODE 00779														
		WEIGHT	DRAWING NO C-T12302401XX000															
		CUSTOMER DRAWING	SCALE 1:1	SHEET 1 OF 1														
			REV C															

单击下面可查看定价，库存，交付和生命周期等信息

[>>TE Connectivity\(泰科\)](#)