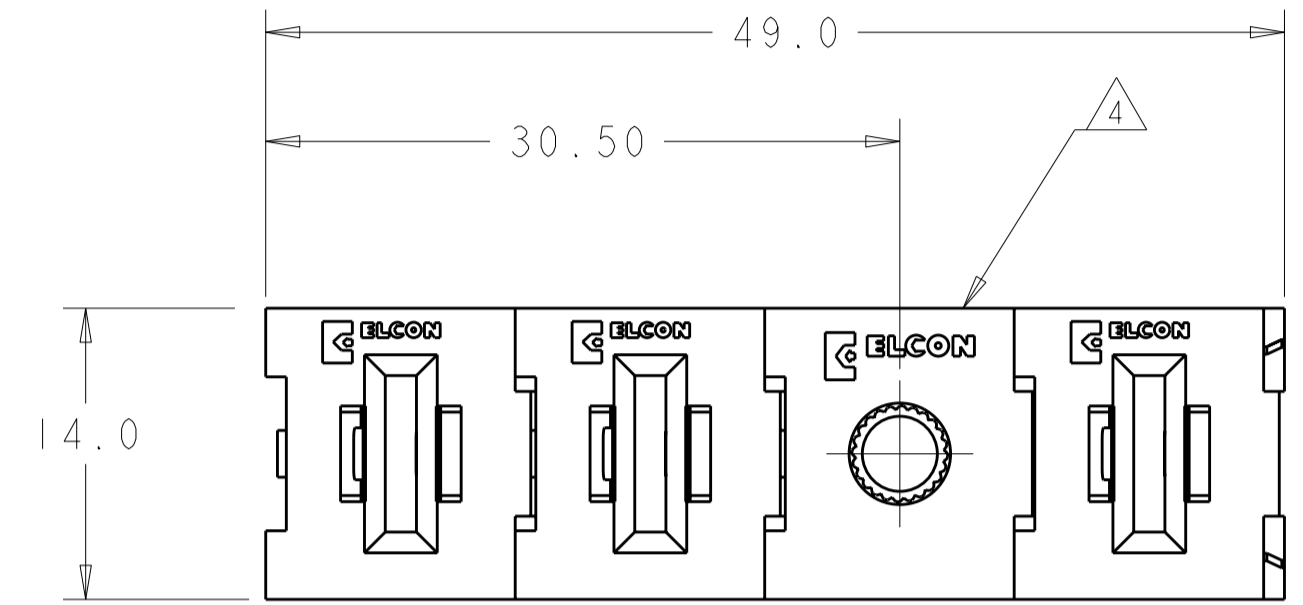


THIS DRAWING IS UNPUBLISHED. RELEASED FOR PUBLICATION 20  
 © COPYRIGHT 20 BY TYCO ELECTRONICS CORPORATION. ALL RIGHTS RESERVED.

LOC	DIST	REVISIONS			
P	LTR	DESCRIPTION	DATE	DWN	APVD
GP	00	A	RELEASED	11DEC2008	RG PD



- PART NUMBER CHANGES AND OR DESIGN CHANGES AFFECTING ITEM INTERCHANGEABILITY REQUIRE PRIOR TYCO ELECTRONICS APPROVAL AND AUTHORIZATION BY REVISION TO THIS DRAWING.
- MATERIAL:  
 INSULATORS - THERMOPLASTIC, GLASS REINFORCED,  
 COLOR: BLACK, UL94V-0 FLAMMABILITY RATED.  
 SOLDER SIGNAL PINS-BRASS ALLOY  
 GUIDE PIN - BRASS ALLOY
- FINISH:  
 CONTACTS - GOLD PLATE 0.76µm MIN. THK.  
 OVER NICKEL 1.27µm MIN. THK  
 SOLDER TAILS, TIN 3.05µm MIN. THK.  
 OVER NICKEL 1.27µm MIN THK.  
 GUIDE PIN: NICKEL 1.27µm MIN THK.

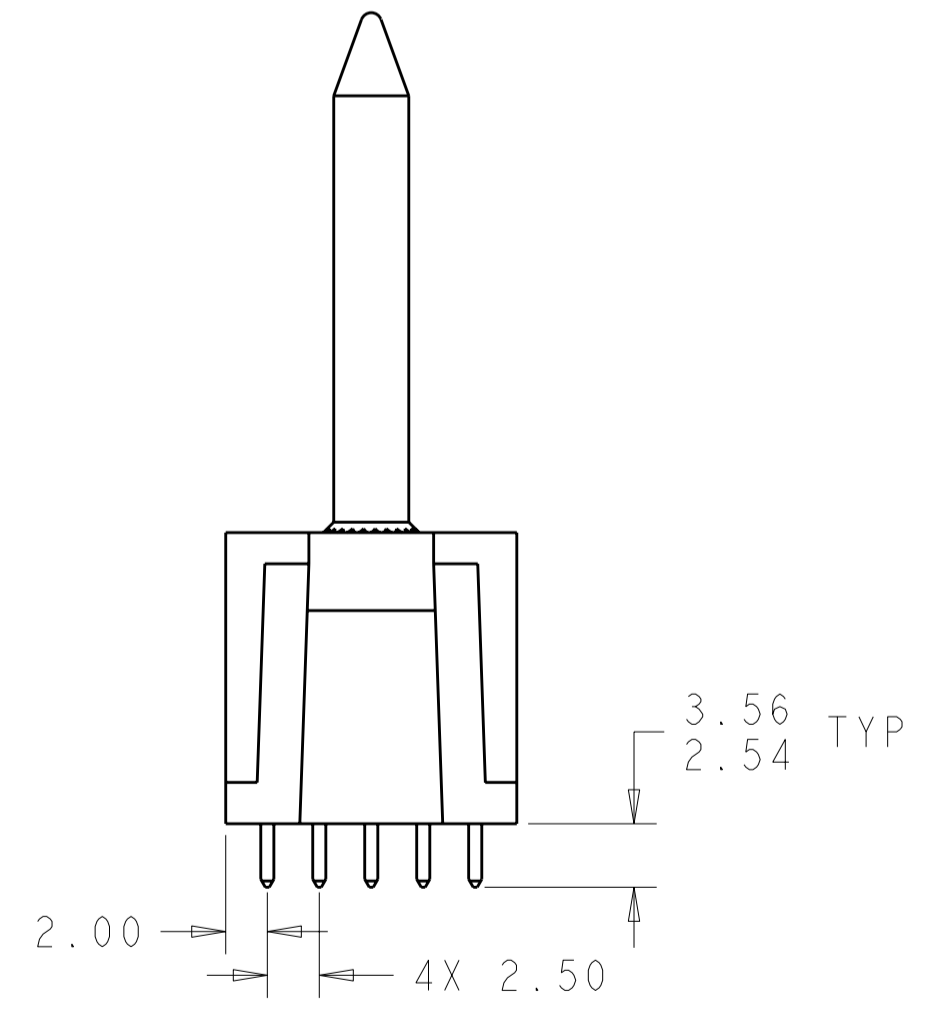
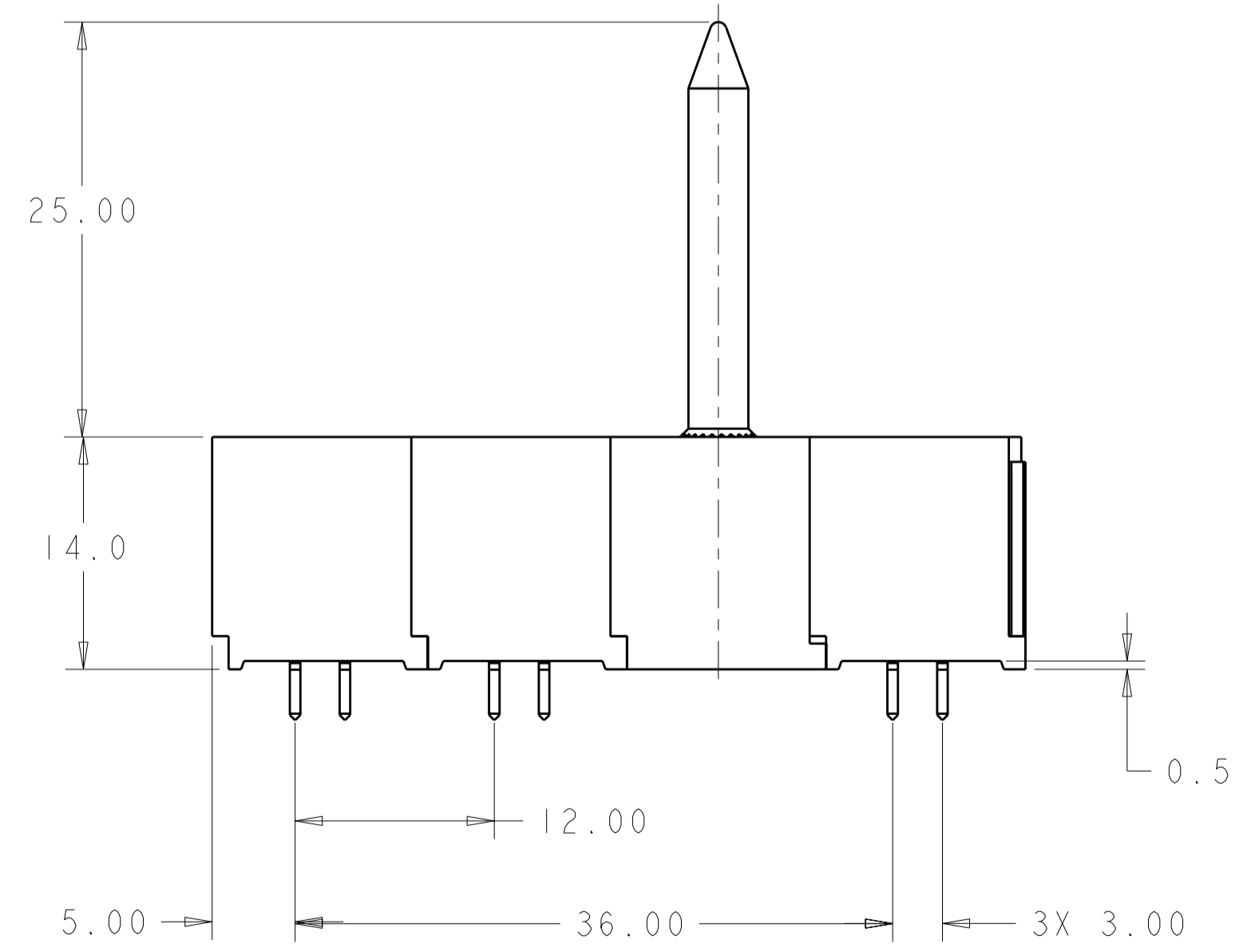
△ ITEMS PROVIDED TO THIS SPECIFICATION TO BE PERMANENTLY IDENTIFIED PER THE FOLLOWING IDENTIFIER LABEL

YEAR | WEEK

TYCO ELECTRONICS P/N      DATE CODE (e.g. 0106)

XXXXXXXX-X      XXXX

5. CONNECTOR MATES WITH P/N 2085055-1



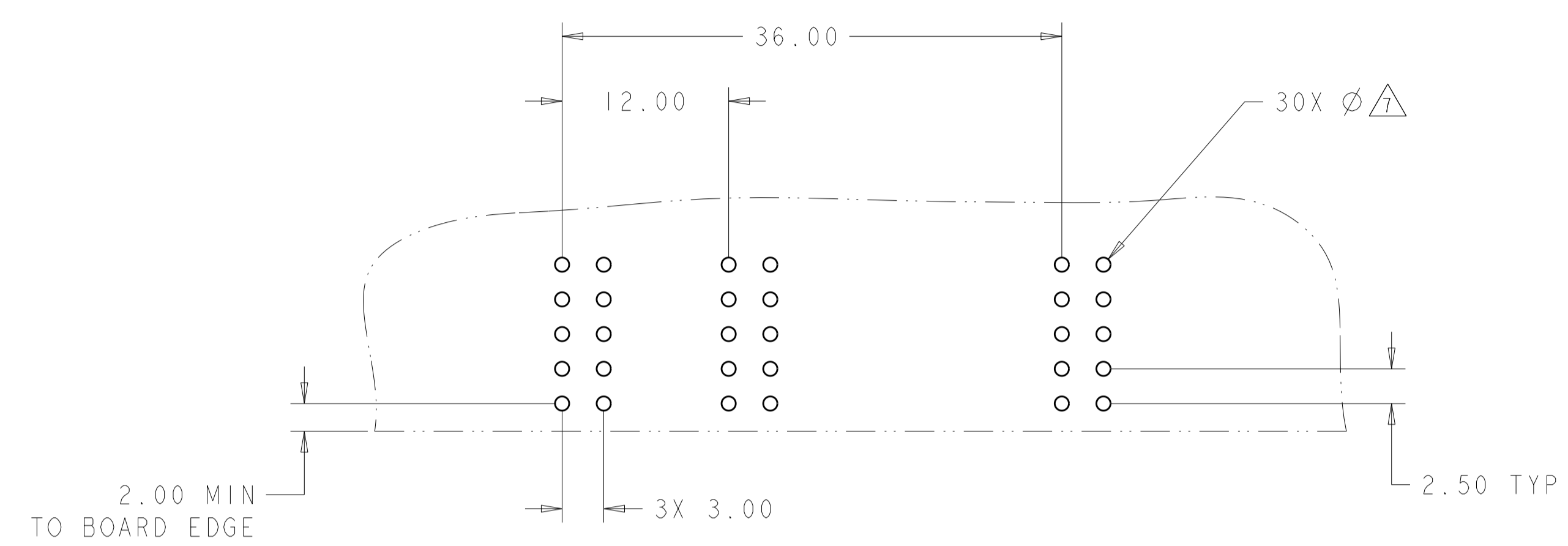
AS SHOWN	2085056-1
DESCRIPTION	PART NUMBER

THIS DRAWING IS A CONTROLLED DOCUMENT FOR TYCO ELECTRONICS CORPORATION. IT IS SUBJECT TO CHANGE AND THE CONTROLLING ENGINEERING ORGANIZATION SHOULD BE CONTACTED FOR THE LATEST REVISION.		DWN R. GRZYBOWSKI 25NOV08	Tyco Electronics Harrisburg, PA 17105-3608	
DIMENSIONS: mm [ INCHES ]		CHK P. DAMATO 25NOV08	NAME SOCKET CONNECTOR ASSEMBLY STRAIGHT, SOLDER TAILS FLTAPAQ	
TOLERANCES UNLESS OTHERWISE SPECIFIED: 0 PLC ±- 1 PLC ±.5 2 PLC ±.25 3 PLC ±- 4 PLC ±- ANGLES ±.5 FINISH		APVD M. PERCHERKE 25NOV08	PRODUCT SPEC -	RESTRICTED TO -
MATERIAL -		APPLICATION SPEC -	WEIGHT -	SIZE A200779
-		CUSTOMER DRAWING	SCALE 3:1	DRAWING NO C-2085056
-		SHEET 1 OF 3		REV A

**ELCON FLATPAQ**

THIS DRAWING IS UNPUBLISHED. RELEASED FOR PUBLICATION 20  
 © COPYRIGHT 20 BY TYCO ELECTRONICS CORPORATION. ALL RIGHTS RESERVED.

LOC	DIST	REVISIONS					
GP	00	P	LTR	DESCRIPTION	DATE	DWN	APVD
		-		SEE SHEET 1			



PRINTED CIRCUIT LAYOUT  
 COMPONENT SIDE

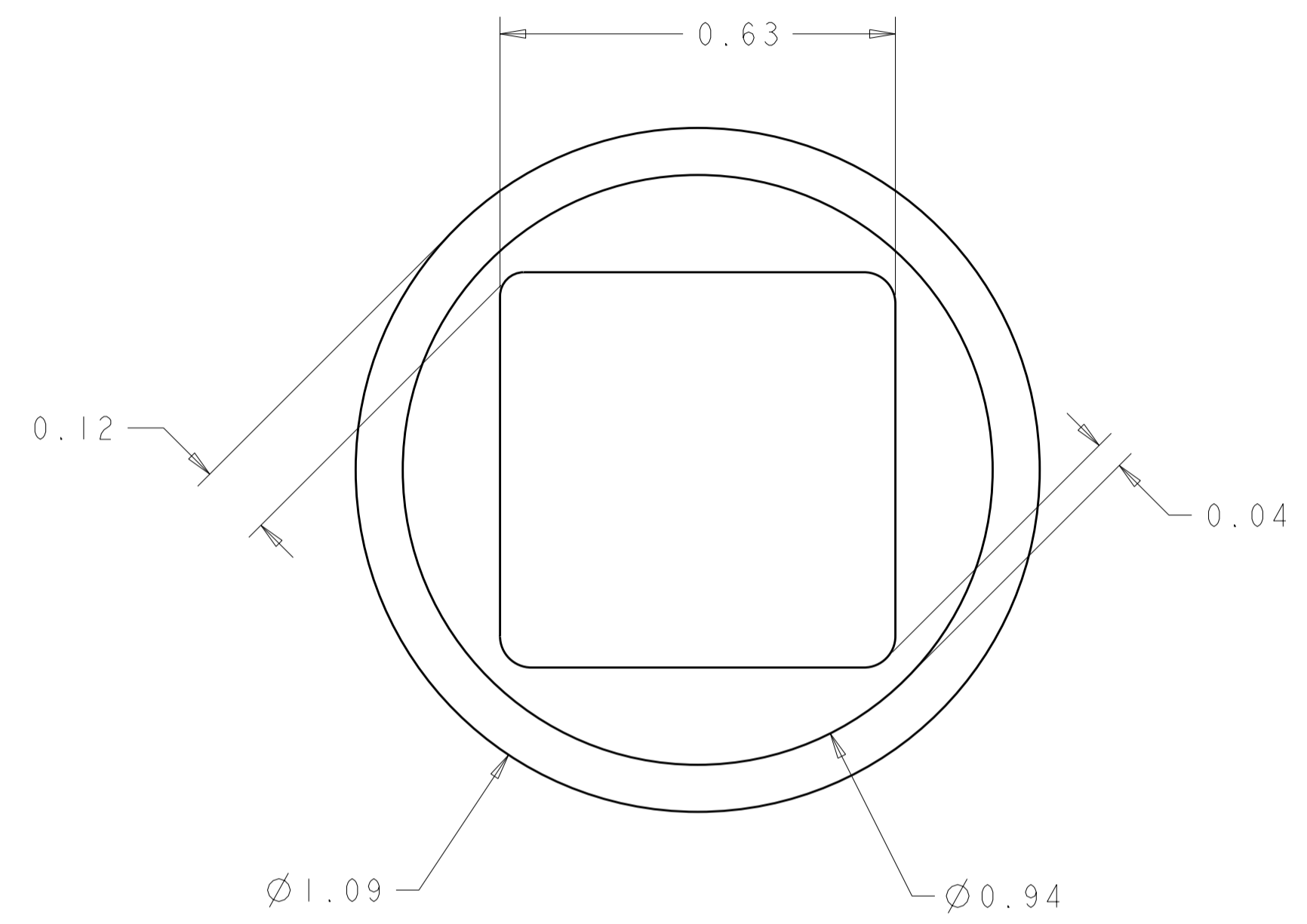
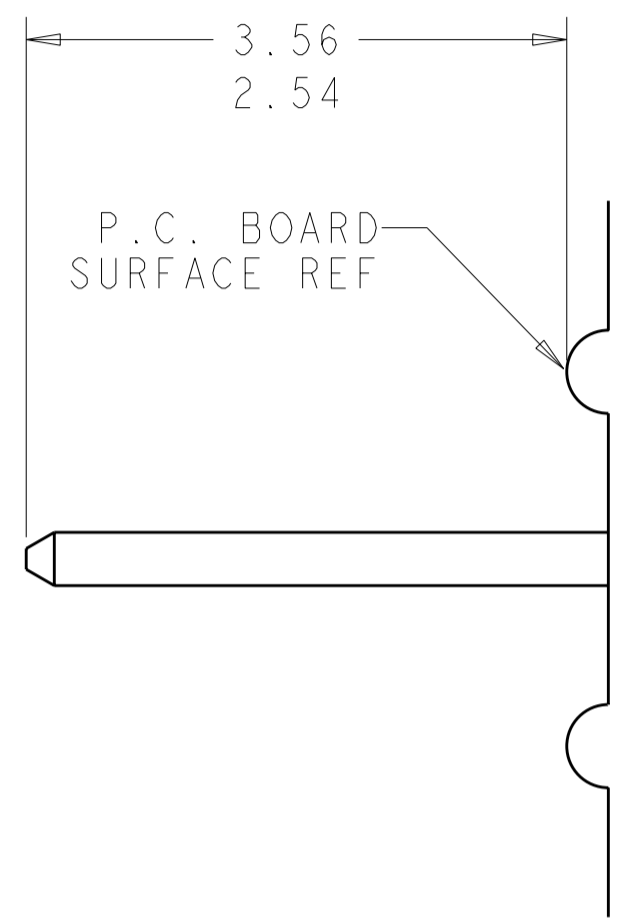
CONNECTOR	EQUIVALENT CATALOG MODULE #	MODULE QTY	CONTACT QTY	SIZE NO.	MATING PIN	MAX. CURRENT (PER CONTACT)	CONTACT SPACING	VOLTAGE RATING
SOCKET	FP116	3	3	8	1.25 X 7.00	35 amps	12.00	600 VOLTS
	FP503	1	-	GUIDE PIN, PASSIVE				

<small>THIS DRAWING IS A CONTROLLED DOCUMENT FOR TYCO ELECTRONICS CORPORATION. IT IS SUBJECT TO CHANGE AND THE CONTROLLING ENGINEERING ORGANIZATION SHOULD BE CONTACTED FOR THE LATEST REVISION.</small>		DWN R. GRZYBOWSKI 25NOV08 CHK P. DAMATO 25NOV08 APVD M. PERCHERKE 25NOV08	Tyco Electronics Harrisburg, PA 17105-3608
DIMENSIONS: mm [ INCHES ]	TOLERANCES UNLESS OTHERWISE SPECIFIED: 0 PLC ±.5 1 PLC ±.5 2 PLC ±.25 3 PLC ±. 4 PLC ±. ANGLES ±.5 FINISH	PRODUCT SPEC APPLICATION SPEC WEIGHT	NAME SOCKET CONNECTOR ASSEMBLY STRAIGHT, SOLDER TAILS FLTAPAQ
MATERIAL		CUSTOMER DRAWING	SIZE A2 CAGE CODE 00779 DRAWING NO. C-2085056 RESTRICTED TO
		SCALE 3:1	SHEET 2 OF 3 REV A

ELCON FLATPAQ

THIS DRAWING IS UNPUBLISHED. RELEASED FOR PUBLICATION 20  
 © COPYRIGHT 20 BY TYCO ELECTRONICS CORPORATION. ALL RIGHTS RESERVED.

LOC	DIST	REVISIONS			
P	LTR	DESCRIPTION	DATE	DWN	APVD
GP	00	-	SEE SHEET 1	-	-



6. SOLDER PIN DETAIL  
SCALE 10:1

△ SOLDER TERMINATION AREA  
 SCALE 40:1  
 RECOMMENDED PRINTED CIRCUIT SOLDER HOLE  
 FINISHED HOLE: Ø1.02 ±.08  
 DRILLED HOLE: Ø1.15 ±.013  
 COPPER PLATE: .025 MIN  
 TIN PLATE: .008 MIN. (PER SURFACE)

**ELCON** **FLATPAQ**

THIS DRAWING IS A CONTROLLED DOCUMENT FOR TYCO ELECTRONICS CORPORATION IT IS SUBJECT TO CHANGE AND THE CONTROLLING ENGINEERING ORGANIZATION SHOULD BE CONTACTED FOR THE LATEST REVISION.		DWN R. GRZYBOWSKI 25NOV08	Tyco Electronics Harrisburg, PA 17105-3608	
DIMENSIONS: mm [ INCHES ]		CHK P. DAMATO 25NOV08	NAME SOCKET CONNECTOR ASSEMBLY STRAIGHT, SOLDER TAILS FLTAPAQ	
TOLERANCES UNLESS OTHERWISE SPECIFIED:		APVD M. PERCHERKE 25NOV08	SIZE	RESTRICTED TO
0 PLC ±.5	1 PLC ±.5	PRODUCT SPEC	CAGE CODE	DRAWING NO
2 PLC ±.25	3 PLC ±.25	APPLICATION SPEC	A200779	C-2085056
4 PLC ±.	ANGLES ±.5	WEIGHT	SCALE	SHEET
MATERIAL	FINISH	CUSTOMER DRAWING	3:1	3 OF 3
				REV A

单击下面可查看定价，库存，交付和生命周期等信息

[>>TE Connectivity\(泰科\)](#)