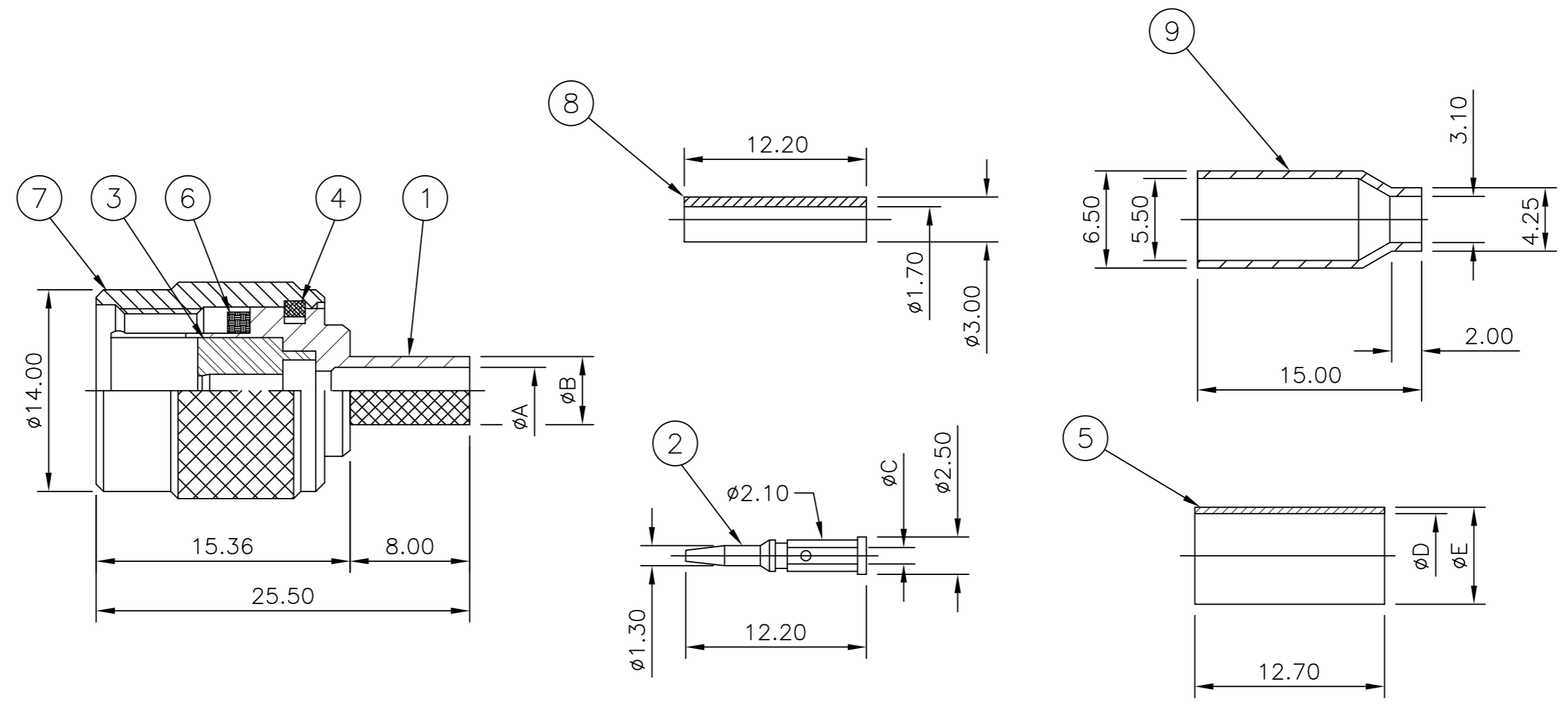


THIS DRAWING IS UNPUBLISHED. RELEASED FOR PUBLICATION SEPT., 2006.
 © COPYRIGHT 2006 BY TYCO ELECTRONICS CORPORATION. ALL RIGHTS RESERVED.

LOC	DIST	REVISIONS					
E	B	P	LTR	DESCRIPTION	DATE	DWN	APVD
		B		ECO-09-003420	11 Mar 09	RITA	BOB

- NOTES**
- 1 SINGLE PACK IN ACCORDANCE WITH AMP SPEC 107-3275
 - 2 100 TRAY PACK IN ACCORDANCE WITH AMP SPEC 107-3275
 - 3 Au PLATING
 - 4 Ni PLATING
 - 5 THIS ITEM MUST BE WHITE
 - 6 HAND TOOL: 9-1478240-0
 - 7 DIE SET: SEE TABLE
 - 8 FOR TECHNICAL DATA REFER TO YOUR LOCAL TYCO ELECTRONICS SALES OFFICE
 - 9 ALL DIMENSIONS ARE NOMINAL FOR REFERENCE ONLY UNLESS OTHERWISE STATED

	7.4	6.5	0.7	5.45	3.8	9-1478242-0	RG59B/U, 62A/U, 140/U, 210/U, URM90, KX 6A, KX 25, KX 52, KX 53	5-1814801-3
	7.4	6.5	0.7	5.45	3.8	9-1478242-0	RG59B/U, 62A/U, 140/U, 210/U, URM90, KX 6A, KX 25, KX 52, KX 53	5-1814801-2
	6.4	5.4	0.7	4.5	3.1	9-1478242-0	RG179B/U, 187A/U, URM111	5-1814801-1
	6.4	5.4	0.7	4.5	3.1	9-1478242-0	RG179B/U, 187A/U, URM111	5-1814801-0
	E	D	C	B	A	DIE SET	CABLE GROUPS	PART NO.



QTY	UNIT	MATERIAL	DESCRIPTION	ITEM	
1	1	BRASS	FERRULE	9	
1	1	NYLON	PUSHER SLEEVE	8	
1	1	ZINC ALLOY	COUPLING NUT	7	
1	1	SILCON RUBBER	GASKET	6	
1	1	BRASS	FERRULE	5	
1	1	BRASS	CIRCLIP	4	
1	1	POLYMETHYLPENTENE	INSULATOR	3	
1	1	BRASS	CONTACT	2	
1	1	ZINC ALLOY	BODY	1	
5	35	25	15	0	
			MATERIAL	DESCRIPTION	ITEM

THIS DRAWING IS A CONTROLLED DOCUMENT.

DWN: RITA ZUO 11 Mar 09
 CHK: ANSON MA 11 Mar 09
 APVD: BOB ZHAO 11 Mar 09

Tyco Electronics Tyco Electronics Corporation
 Kunshan, Jiangsu, PRC 215312

NAME: TNC STRAIGHT PLUG HEX CRIMP
 75 OHM

PRODUCT SPEC: 108-112000
 APPLICATION SPEC: SEE SHEET 2

SIZE: A2 CAGE CODE: 00779 DRAWING NO: C=1814801 RESTRICTED TO: -

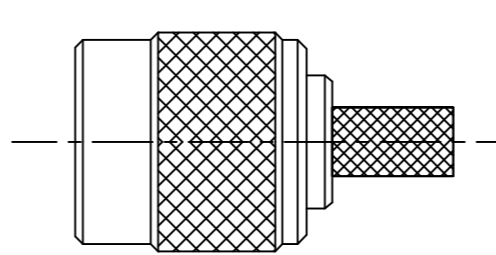
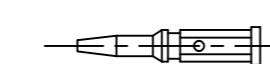
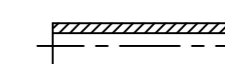
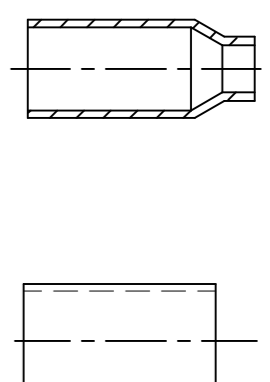
MATERIAL: SEE TABLE FINISH: SEE TABLE WEIGHT: - SCALE: NTS SHEET 1 OF 2 REV B

CUSTOMER DRAWING

THIS DRAWING IS UNPUBLISHED. RELEASED FOR PUBLICATION SEPT ,2006.
 © COPYRIGHT 2006 BY TYCO ELECTRONICS CORPORATION. ALL RIGHTS RESERVED.

LOC	DIST	REVISIONS			
P	LTR	DESCRIPTION	DATE	DWN	APVD
-	-	SEE SHEET 1	-	-	-

COMPONENTS

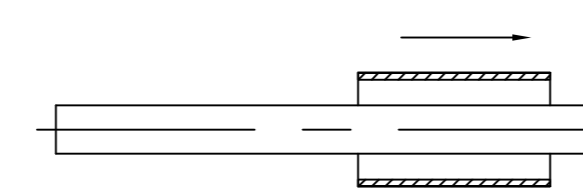
MAIN BODY (ITEM 1,3,4,6,7 & 8)	CENTRE CONTACT (ITEM 2)	PUSHER SLEEVE (ITEM 9)	CRIMP FERRULES (ITEM 5 & 10)
			

ASSEMBLY INSTRUCTION

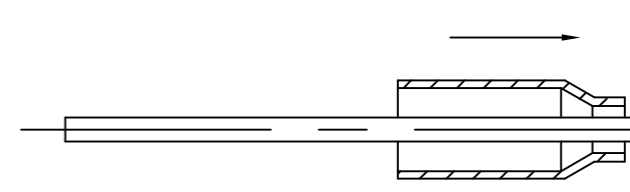
CABLES: RG58C/U, 141A/U, 303/U, URM43, 76, BELDEN 9907, KX15

CABLES: RG174A/U, 188A/U, 316/U, URM95, KX3B, KX22A

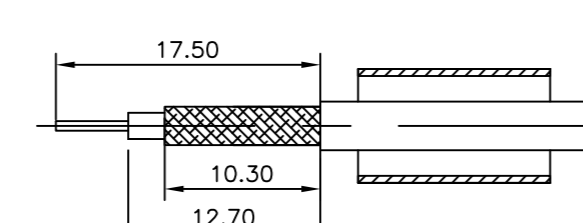
STEP 1
1. SLIDE METAL CRIMP FERRULE OVER CABLE



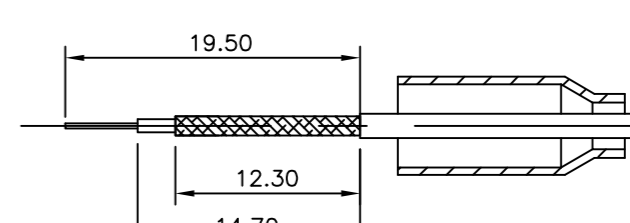
STEP 1
1. SLIDE METAL CRIMP FERRULE OVER CABLE



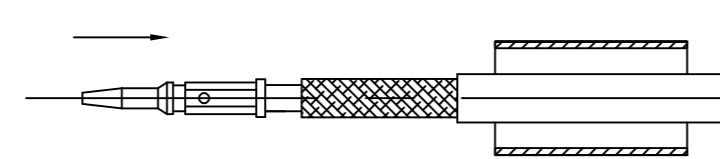
STEP 2
1. STRIP CABLE TO DIMENSIONS AS SHOWN



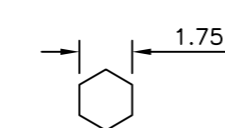
STEP 2
1. STRIP CABLE TO DIMENSIONS AS SHOWN



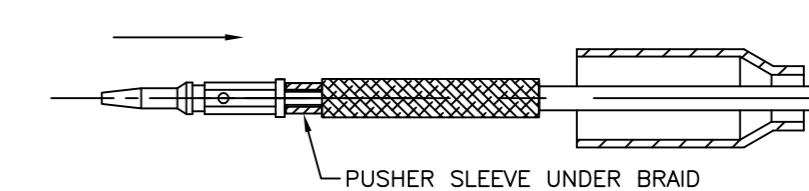
STEP 3
1. FIT CONTACT OVER CENTRE CONDUCTOR TO BUTT AGAINST DIELECTRIC.
2. CRIMP USING TOOL AS NOTES ON PAGE 1.



RECOMMENDED CENTRE CONTACT A/F HEX

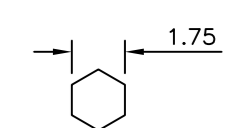


STEP 3
1. SLIDE ITEM 10 PUSHER SLEEVE OVER DIELECTRIC BEFORE FITTING THE CONTACT.
2. FIT CONTACT OVER CENTRE CONDUCTOR TO BUTT AGAINST DIELECTRIC.
3. CRIMP USING TOOL AS NOTES ON PAGE 1.

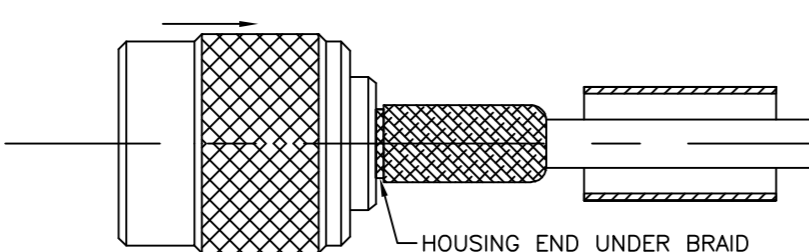


PUSHER SLEEVE UNDER BRAID

RECOMMENDED CENTRE CONTACT A/F HEX

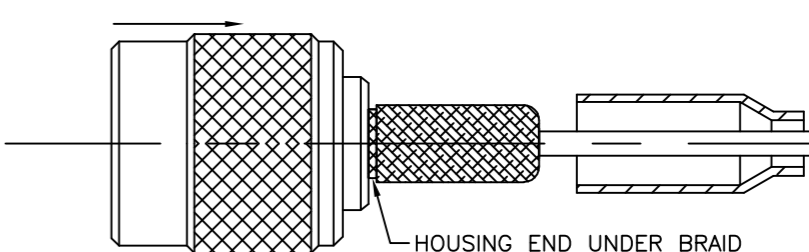


STEP 4
1. PRESS SUB-ASSEMBLY INTO BODY, UNTIL CONTACT IS FULLY LOCATED BY AN AUDIBLE CLICK.
2. ENSURE THAT KNURLED HOUSING INSERTS BETWEEN THE DIELECTRIC AND CABLE BRAID.



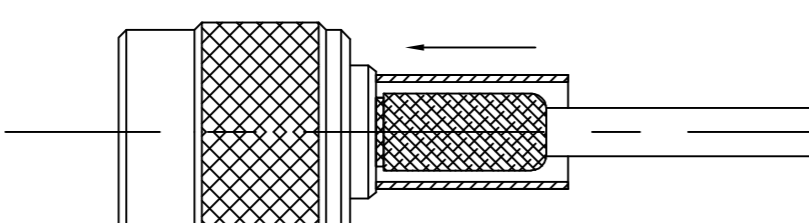
HOUSING END UNDER BRAID

STEP 4
1. PRESS SUB-ASSEMBLY INTO BODY, UNTIL CONTACT IS FULLY LOCATED BY AN AUDIBLE CLICK.
2. ENSURE THAT KNURLED HOUSING INSERTS BETWEEN THE PUSHER SLEEVE AND CABLE BRAID.

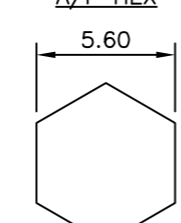


HOUSING END UNDER BRAID

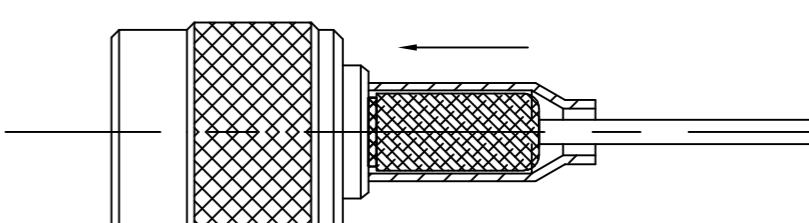
STEP 5
1. SLIDE CRIMP FERRULE ALONG THE CABLE UNTIL IT BUTTS AGAINST THE HOUSING BODY.
2. CRIMP USING TOOL AS NOTED ON PAGE 1.
3. CRIMP DIMENSION AS SHOWN.



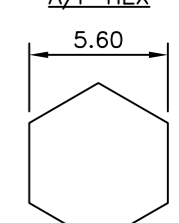
RECOMMENDED CRIMP SLEEVE A/F HEX



STEP 5
1. SLIDE CRIMP FERRULE ALONG THE CABLE UNTIL IT BUTTS AGAINST THE BODY HOUSING.
2. CRIMP USING TOOL AS NOTED ON PAGE 1.
3. CRIMP DIMENSION AS SHOWN.



RECOMMENDED CRIMP SLEEVE A/F HEX



THIS DRAWING IS A CONTROLLED DOCUMENT.

DWN	RITA ZUO	11 Mar 09
CHK	ANSON MA	11 Mar 09
APVD	BOB ZHAO	11 Mar 09

NAME: ANSON MA

PRODUCT SPEC: 108-112000

APPLICATION SPEC: SEE SHEET 2

WEIGHT: -

CUSTOMER DRAWING

Tyco Electronics Tyco Electronics Corporation Kunshan, Jiangsu, PRC 215312

TNC STRAIGHT PLUG HEX CRIMP 50 OHM

SIZE	CAGE CODE	DRAWING NO	RESTRICTED TO
A2	00779	C=1814801	-

SCALE: NTS SHEET 2 OF 2 REV B

1814801

A

单击下面可查看定价，库存，交付和生命周期等信息

[>>TE Connectivity\(泰科\)](#)