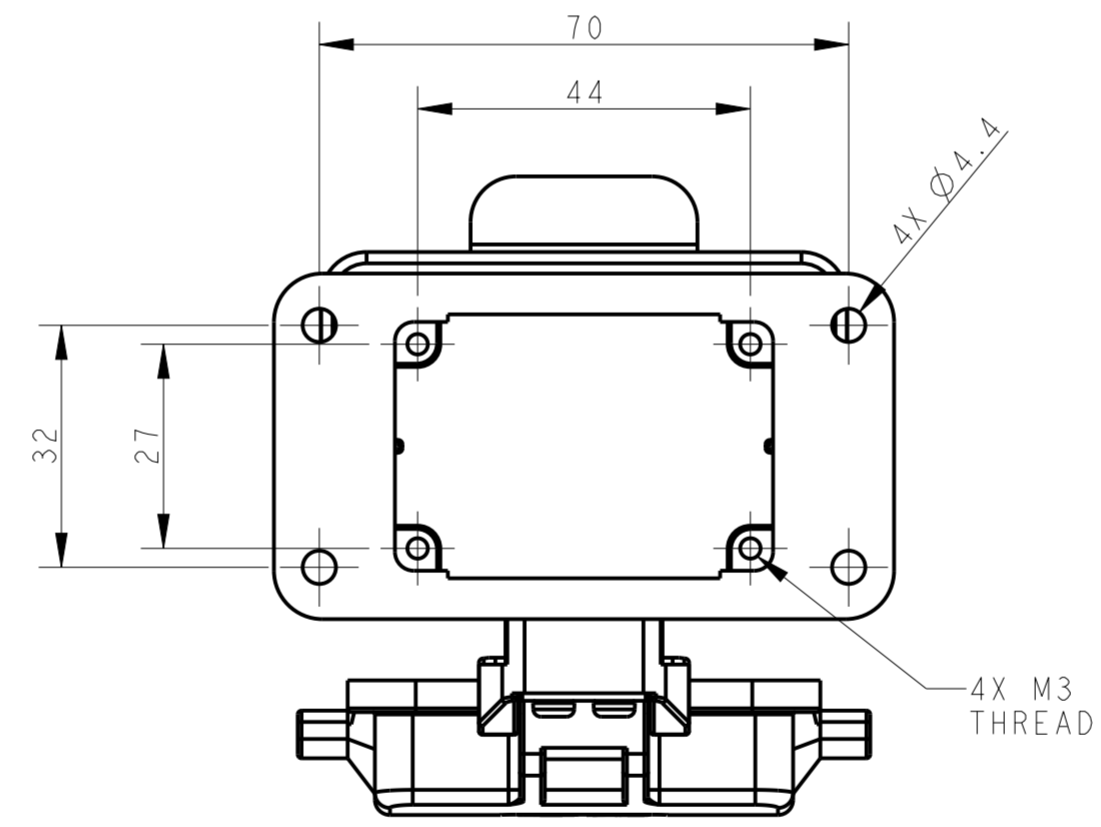
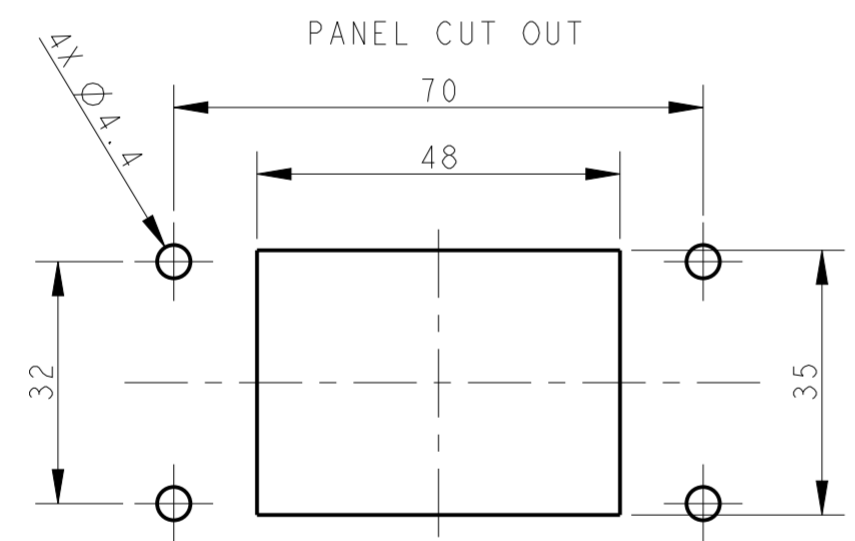
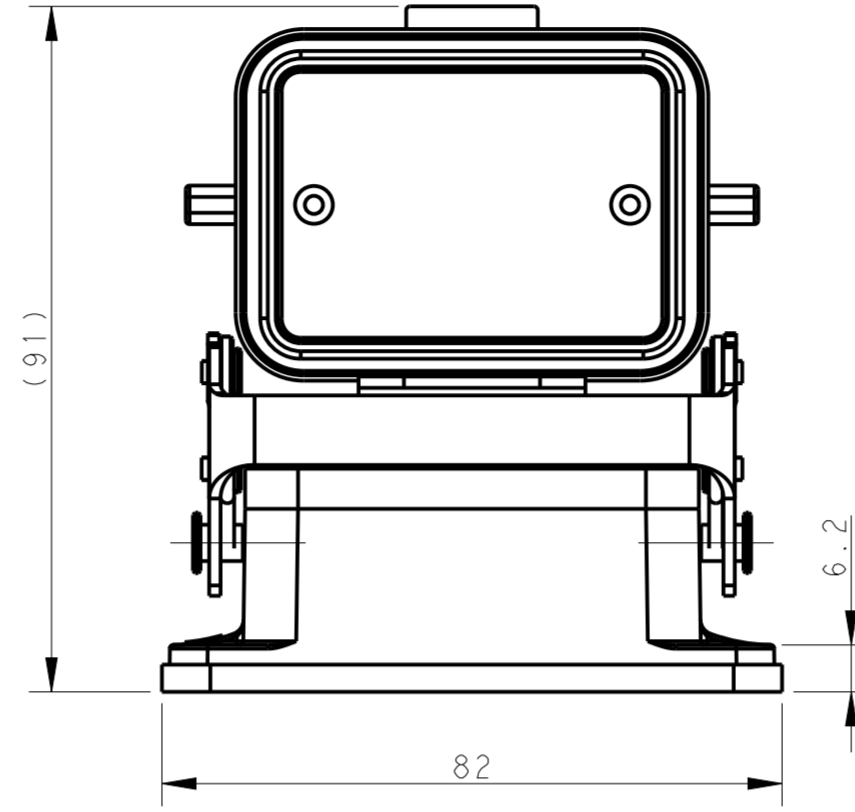
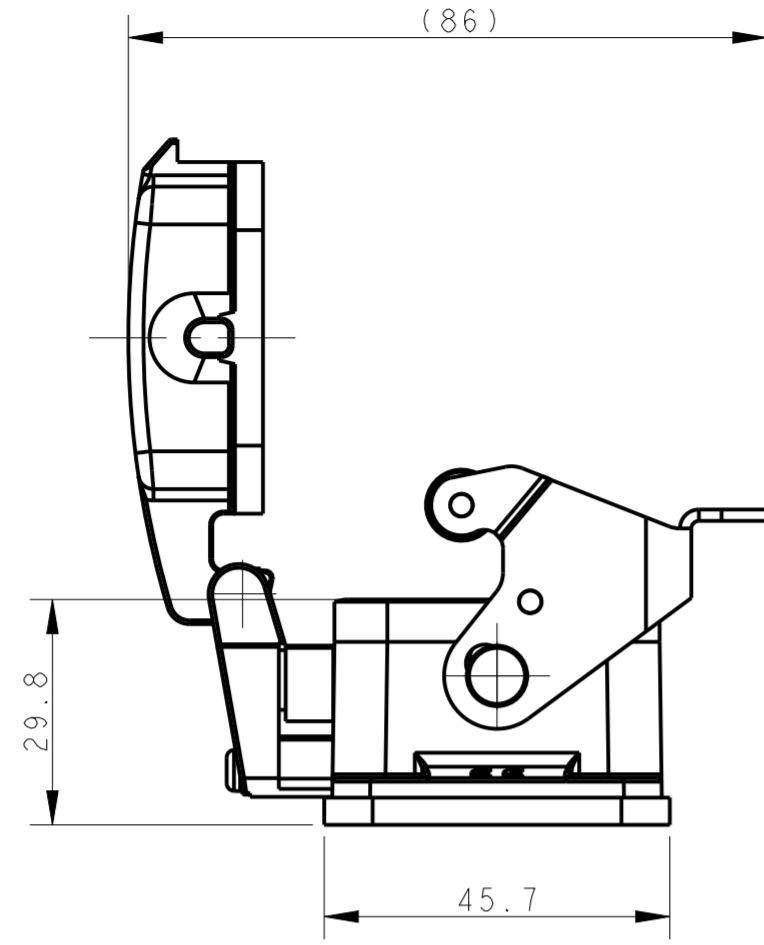


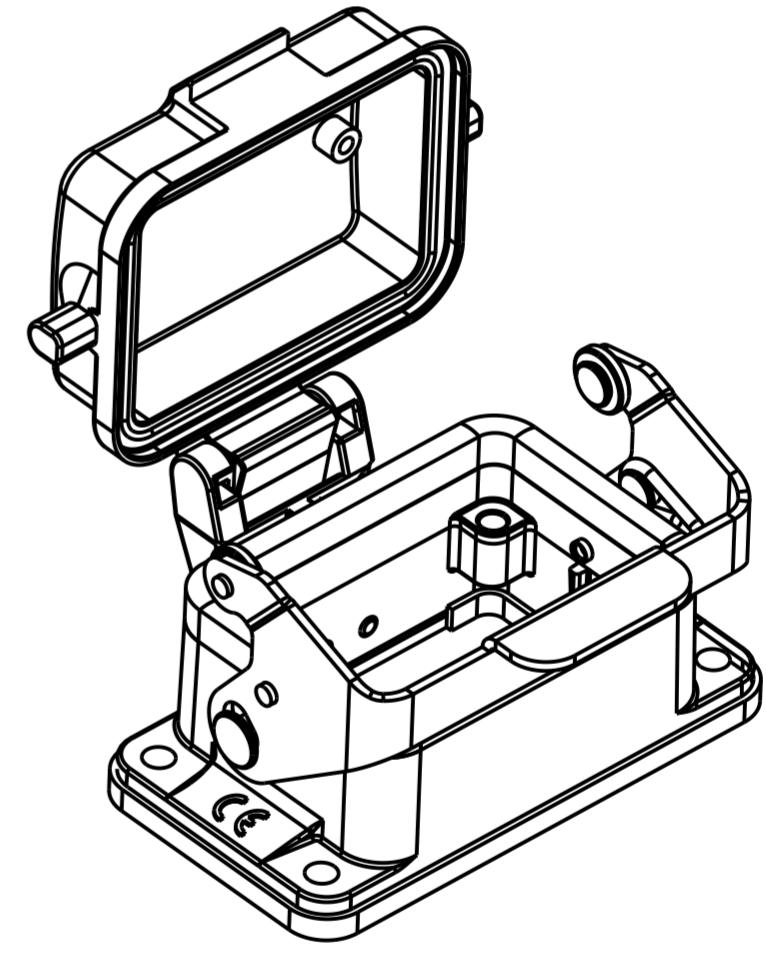
THIS DRAWING IS UNPUBLISHED. RELEASED FOR PUBLICATION 20
 © COPYRIGHT 20 BY - ALL RIGHTS RESERVED.

REVISIONS					
P	LTR	DESCRIPTION	DATE	DWN	APVD
A1		ECR-15-012067	10AUG2015	DW	CW
A2		ECR-18-009563	31OCT2018	CD	CW
A3		ECR-19-009561	22JUL2019	AL	CW
B		ECR-20-007968	08JUN2020	WOR	CW



NOTES:
 1. TECHNICAL CHARACTERISTICS:
 HOUSING MATERIAL: DIE CAST ALUMINIUM ALLOY
 SURFACE: POWDER COATED, GREY
 DEGREE OF PROTECTION: IP65 (MATED)

注释:
 1. 技术参数:
 下壳材料: 铝合金
 表面处理: 粉末涂层, 灰色
 防护等级: IP65 (配合)

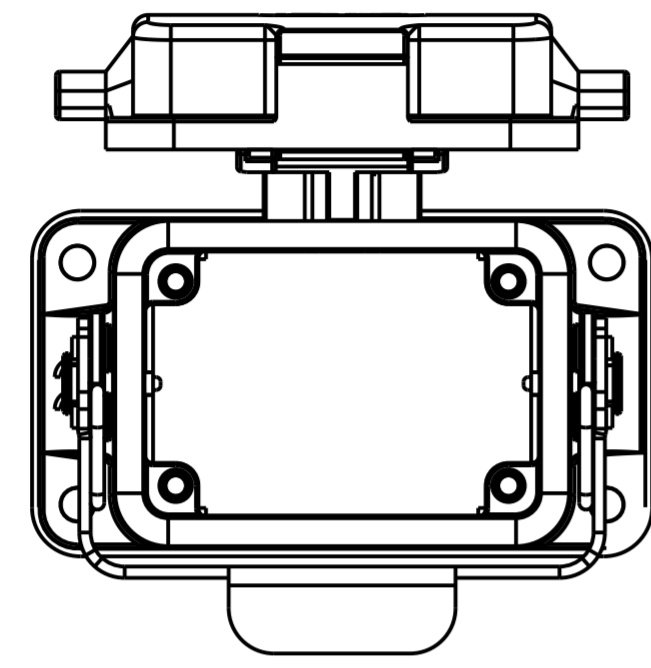


THIS DRAWING IS A CONTROLLED DOCUMENT.		DWN 05JUN2015 David Wang	STE TE Connectivity	
DIMENSIONS: mm		CHK 05JUN2015 Chris Wang		
TOLERANCES UNLESS OTHERWISE SPECIFIED:		APVD 05JUN2015 Xiang Xu	NAME H6B-ADS	
0 PLC ±		PRODUCT SPEC	SIZE CAGE CODE DRAWING NO RESTRICTED TO	
1 PLC ±		108-137013	A200779 C-T151006210000	
2 PLC ±		APPLICATION SPEC	SCALE 1:1 SHEET 1 OF 2 REV B	
3 PLC ±		114-137013		
4 PLC ±		WEIGHT -		
ANGLES ±		Customer Drawing		
FINISH -				

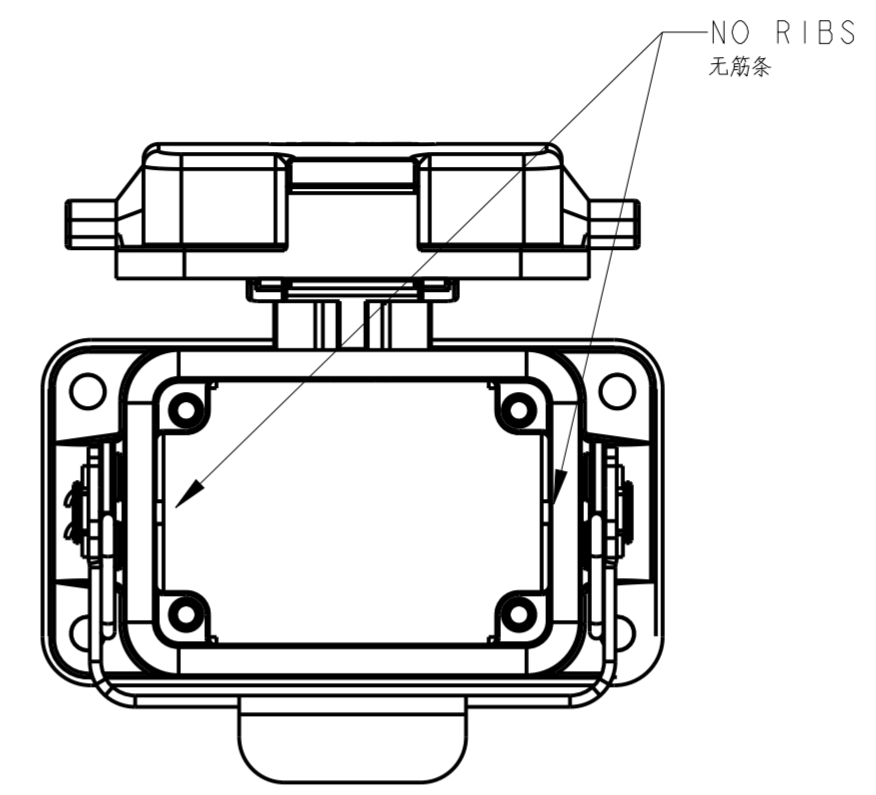
THIS DRAWING IS UNPUBLISHED. RELEASED FOR PUBLICATION 20
 © COPYRIGHT 20 BY - ALL RIGHTS RESERVED.

REVISIONS				
P	LTR	DESCRIPTION	DATE	APVD
-		SEE SHEET 1	-	-

TYPE 1: WITH RIBS
 类型1: 带筋条



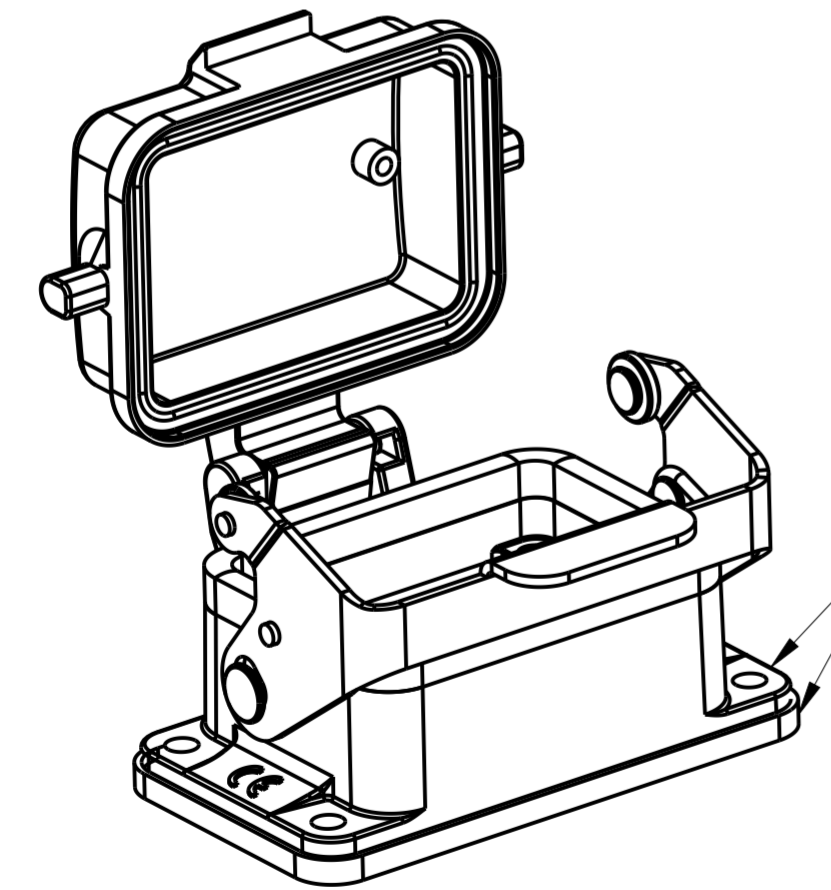
TYPE 2: NO RIBS
 类型2: 无筋条



NOTE:
 SEE SHEET 1
 备注:
 见 SHEET 1

ALL DIMENSIONS ARE SAME AS TYPE 1, EXCEPT NO RIBS.
 除无筋条外, 尺寸与类型1相同。

TYPE 3: WITH GASKET GLUED
 类型3: 胶粘密封垫



GASKET SHOULD BE FULLY GLUED WITH THE HOUSING.
 密封垫圈通过胶水与下壳完全粘牢。

ALL SPEC ARE SAME AS TYPE 1, EXCEPT THE GASKET GLUED WITH THE HOUSING.
 除密封垫与下壳胶粘外, 其他特征与类型1相同。

PART NUMBER 料号	H6B-ADS	PART DESCRIPTION 描述	TYPE 类型
T1510062100-100	H6B-ADS	H6B HOUSING, BULKHEAD MOUNTED, STAINLESS STEEL SINGLE LOCKING, PLASTIC PROTECTION COVER, GASKET GLUED, POWDER COATED, GREY H6BT壳, 开孔安装, 不锈钢单扣, 带塑料保护盖, 密封垫用胶固定, 灰色粉末喷涂	TYPE 3 类型3
T1510062100-001	H6B-ADS	H6B HOUSING, NO RIBS, BULKHEAD MOUNTED, STAINLESS STEEL SINGLE LOCKING, PLASTIC PROTECTION COVER, POWDER COATED, GREY H6BT壳, 无筋条, 开孔安装, 不锈钢单扣, 带塑料保护盖, 灰色粉末喷涂	TYPE 2 类型2
T1510062100-000	H6B-ADS	H6B HOUSING, BULKHEAD MOUNTED, STAINLESS STEEL SINGLE LOCKING, PLASTIC PROTECTION COVER, POWDER COATED, GREY H6BT壳, 开孔安装, 不锈钢单扣, 带塑料保护盖, 灰色粉末喷涂	TYPE 1 类型1

THIS DRAWING IS A CONTROLLED DOCUMENT.		DWN 05JUN2015 David Wang	TE Connectivity													
DIMENSIONS: mm		CHK 05JUN2015 Chris Wang														
TOLERANCES UNLESS OTHERWISE SPECIFIED:		APVD 05JUN2015 Xiang Xu														
<table border="1"> <tr><td>0 PLC</td><td>±</td></tr> <tr><td>1 PLC</td><td>±</td></tr> <tr><td>2 PLC</td><td>±</td></tr> <tr><td>3 PLC</td><td>±</td></tr> <tr><td>4 PLC</td><td>±</td></tr> <tr><td>ANGLES</td><td>±</td></tr> <tr><td>FINISH</td><td>±</td></tr> </table>		0 PLC		±	1 PLC	±	2 PLC	±	3 PLC	±	4 PLC	±	ANGLES	±	FINISH	±
0 PLC	±															
1 PLC	±															
2 PLC	±															
3 PLC	±															
4 PLC	±															
ANGLES	±															
FINISH	±															
MATERIAL	-	APPLICATION SPEC 114-137013	NAME H6B-ADS													
		WEIGHT -	SIZE CAGE CODE DRAWING NO RESTRICTED TO													
		Customer Drawing	A200779 C-T1510062100000 -													
		SCALE 1:1	SHEET 2 OF 2 REV B													

单击下面可查看定价，库存，交付和生命周期等信息

[>>TE Connectivity\(泰科\)](#)