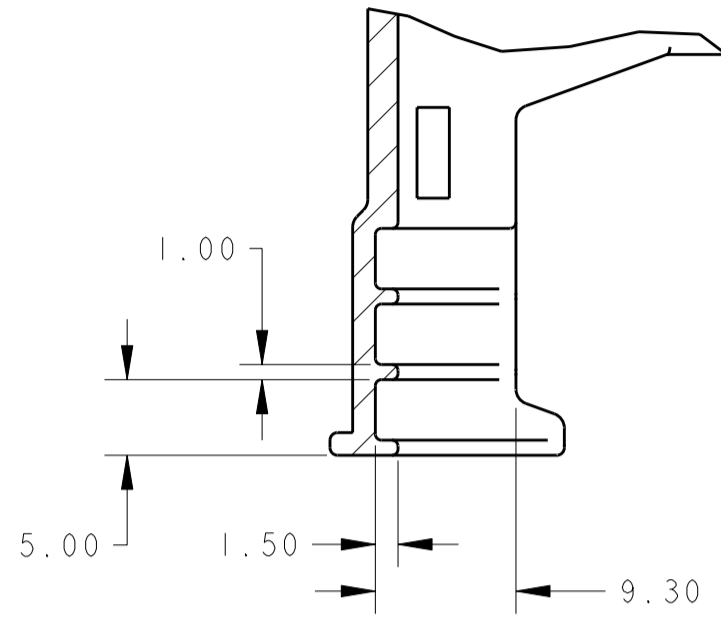
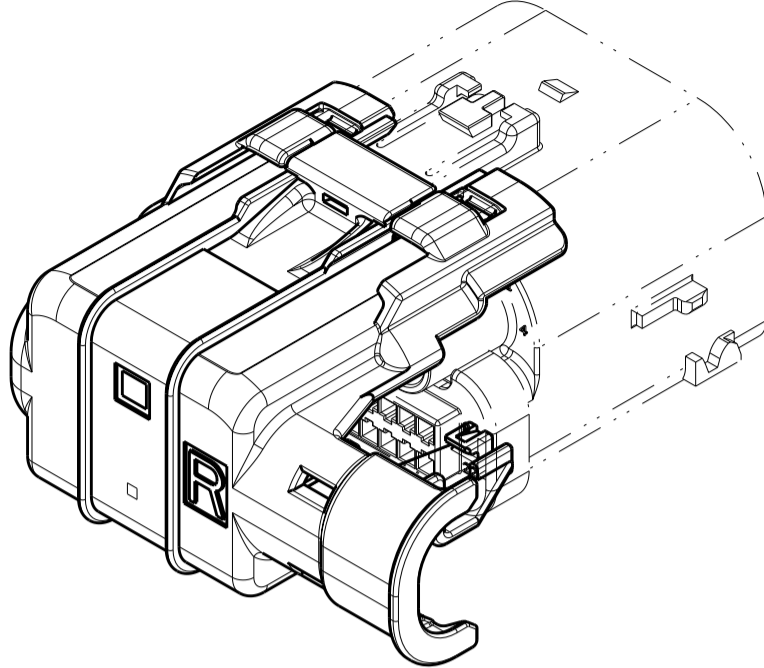
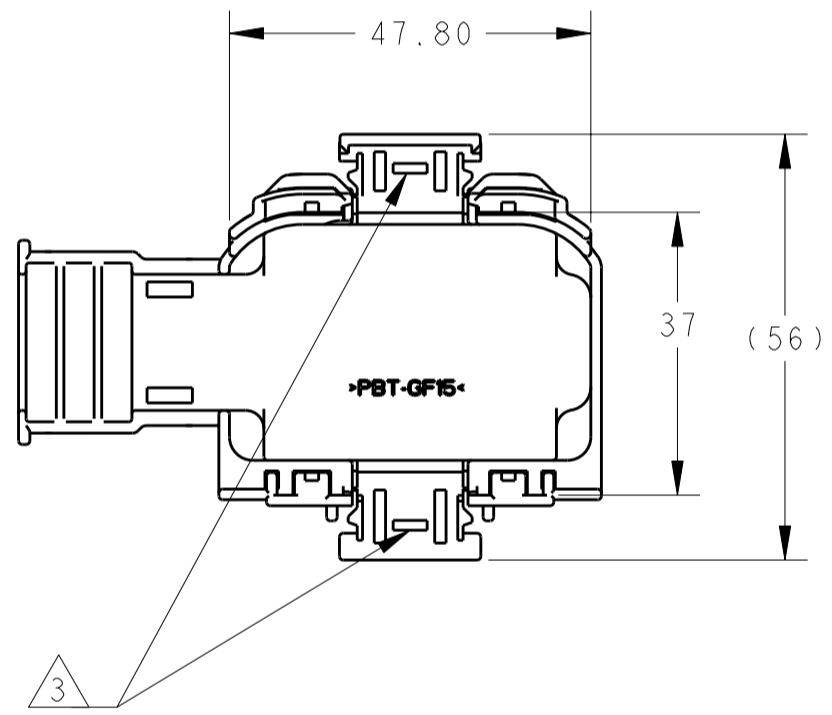
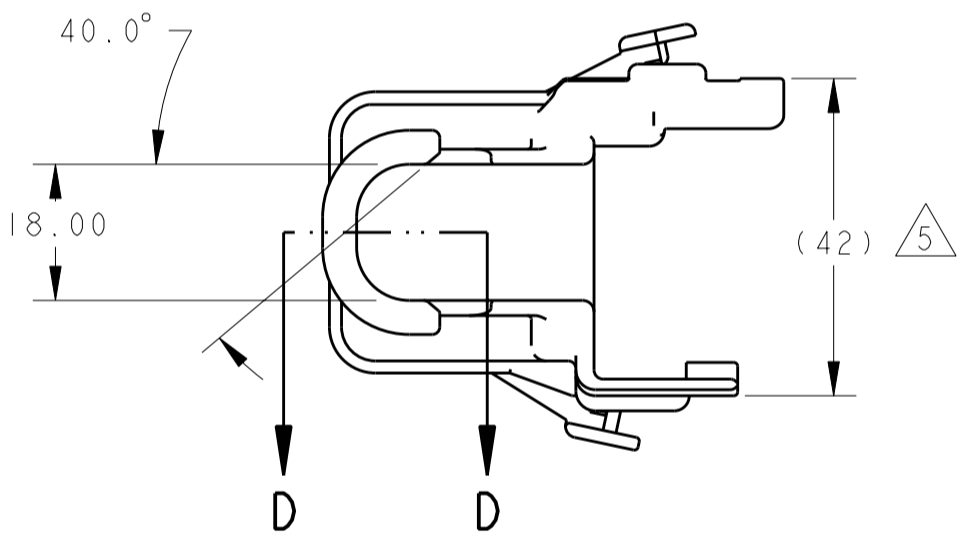
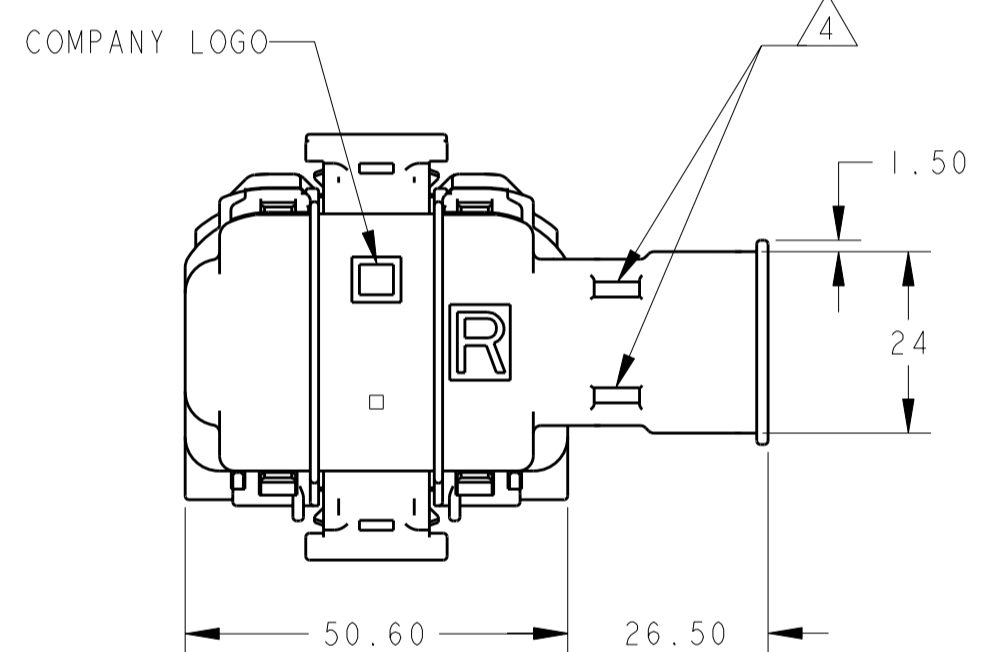


THIS DRAWING IS UNPUBLISHED. RELEASED FOR PUBLICATION 20
 © COPYRIGHT 20 BY TYCO ELECTRONICS CORPORATION. ALL INTERNATIONAL RIGHTS RESERVED.

LOC	DIST	REVISIONS			
P	LTR	DESCRIPTION	DATE	DWN	APVD
	A	RELEASED PER ECR 07-006597	22MAR2007	MHB	MHB
	AI	REVISED PER ECO-10-014244	08JUL2010	DL D	DL D



SECTION D-D
 SCALE 2:1



- THIS WIRE GUIDE USED WITH 34 WAY MALE CAP ASSEMBLY SEE TYCO ELECTRONICS DRAWING 1587042. (PURCHASED SEPARATELY)
- FEATURE DESIGNED TO ACCOMMODATE PLASTIC CONVOLUTE.
- FEATURE TO ACCOMMODATE STRAIGHT SLOT SCREW DRIVER AS A PRY POINT.
- FEATURE TO ACCOMMODATE WIRE TIE.
- MEASURED AT TANGENT AS SHROUD WILL BOW IN.
- THIS COMPONENT DESIGNED TO SATISFY THE REQUIREMENTS OF USCAR-2, REVISION 4 AS NOTED BELOW:

PARA 5.4.5 MISC COMPONENT ENGAGE/DISENGAGE FORCE
 60N MAX ENGAGE
 110N MIN REMOVE (STRAIGHT AXIAL PULL)

PARA 5.4.8 CONNECTOR DROP TEST.

AS SHOWN	1456722-1
DESCRIPTION	PART NUMBER

<small>THIS DRAWING IS A CONTROLLED DOCUMENT FOR TYCO ELECTRONICS CORPORATION IT IS SUBJECT TO CHANGE AND THE CONTROLLING ENGINEERING ORGANIZATION SHOULD BE CONTACTED FOR THE LATEST REVISION.</small>		DWN	E. KINSEY	13JUN2006	Tyco Electronics Harrisburg, PA 17105-3608			
DIMENSIONS:		CHK	E. KINSEY	13JUN2006				
mm		APVD	E. KINSEY	13JUN2006				
		PRODUCT SPEC						
TOLERANCES UNLESS OTHERWISE SPECIFIED: 0 PLC ±1 1 PLC ±0.5 2 PLC ±0.20 3 PLC ± 4 PLC ± ANGLES ±3° FINISH		APPLICATION SPEC			NAME	WIRE DRESS, 34 POSITION, CAP, RIGHT WIRE EXIT		
MATERIAL	PBT-GF15	WEIGHT	21.85 g	A200779	C=1456722	RESTRICTED TO	-	
BLACK		CUSTOMER DRAWING	SCALE		SHEET	OF	REV	AI

单击下面可查看定价，库存，交付和生命周期等信息

[>>TE Connectivity\(泰科\)](#)