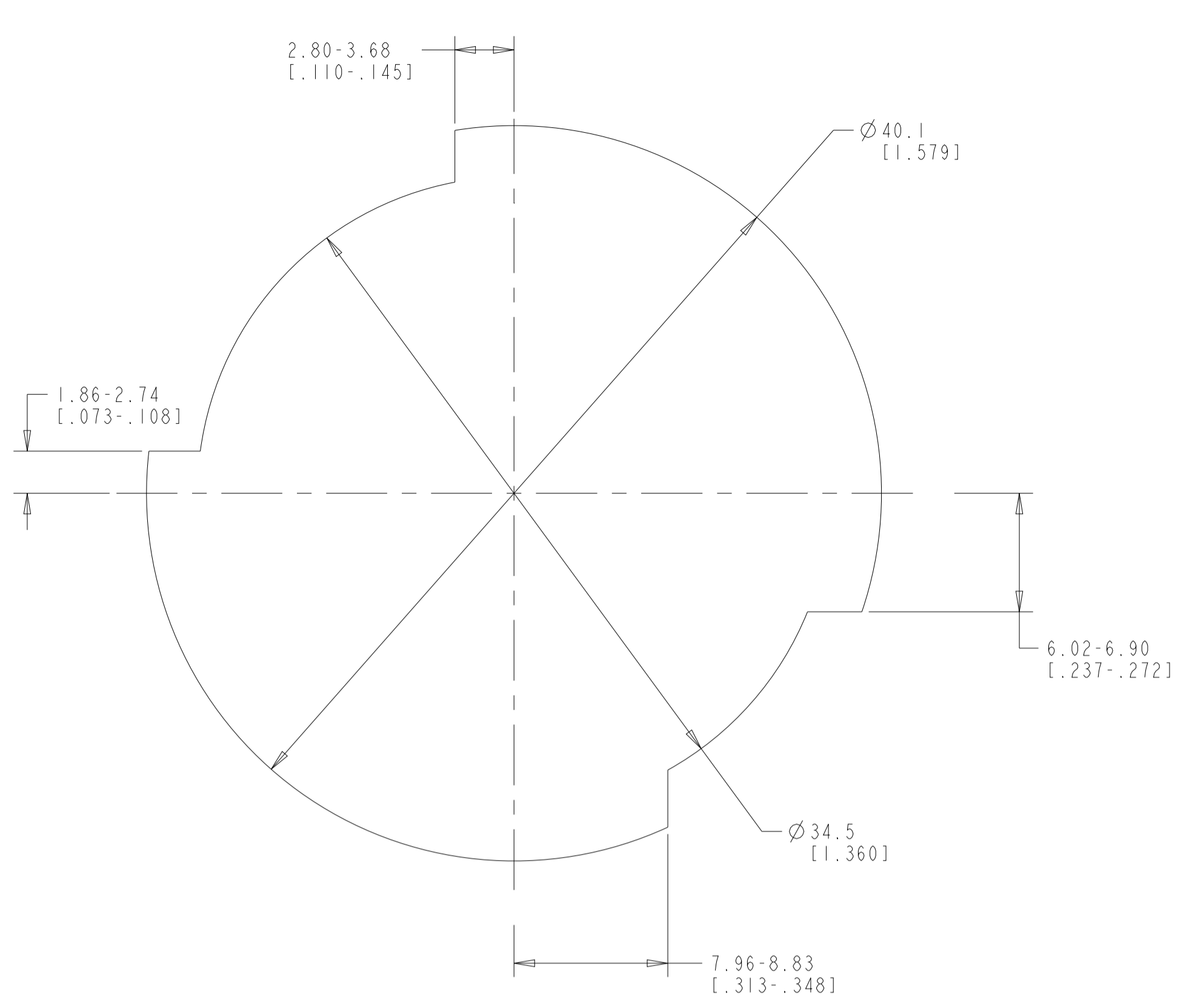
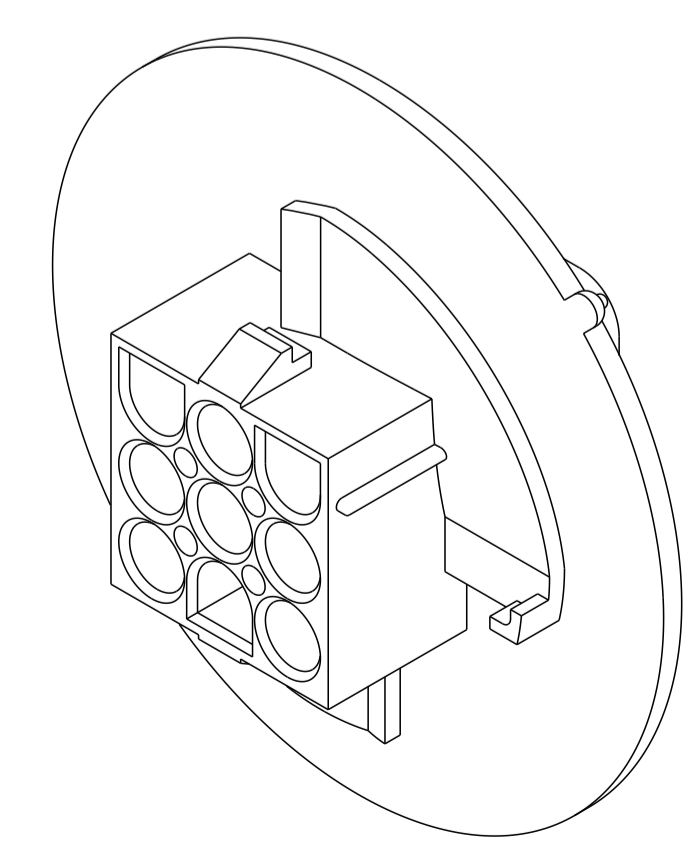
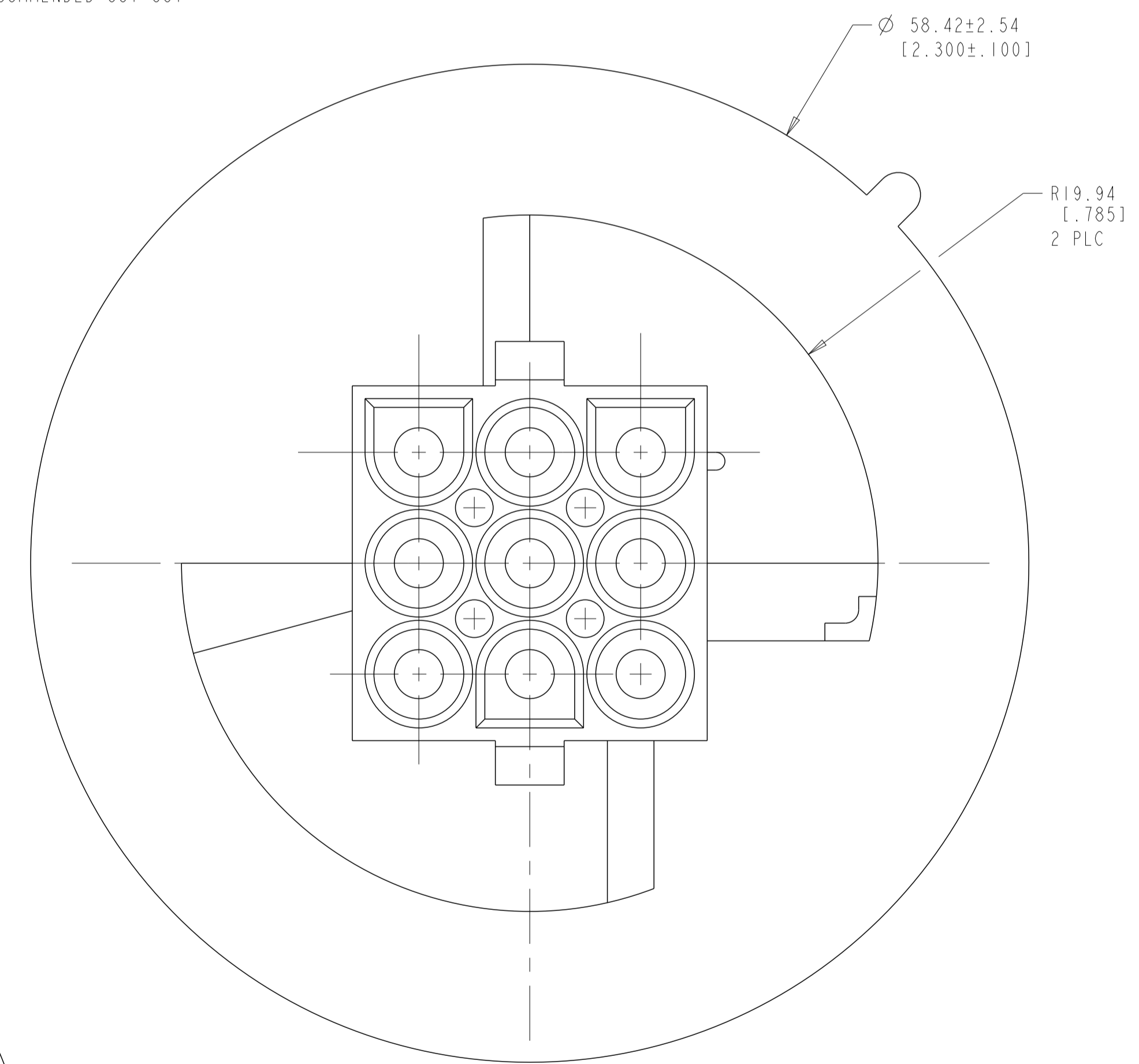


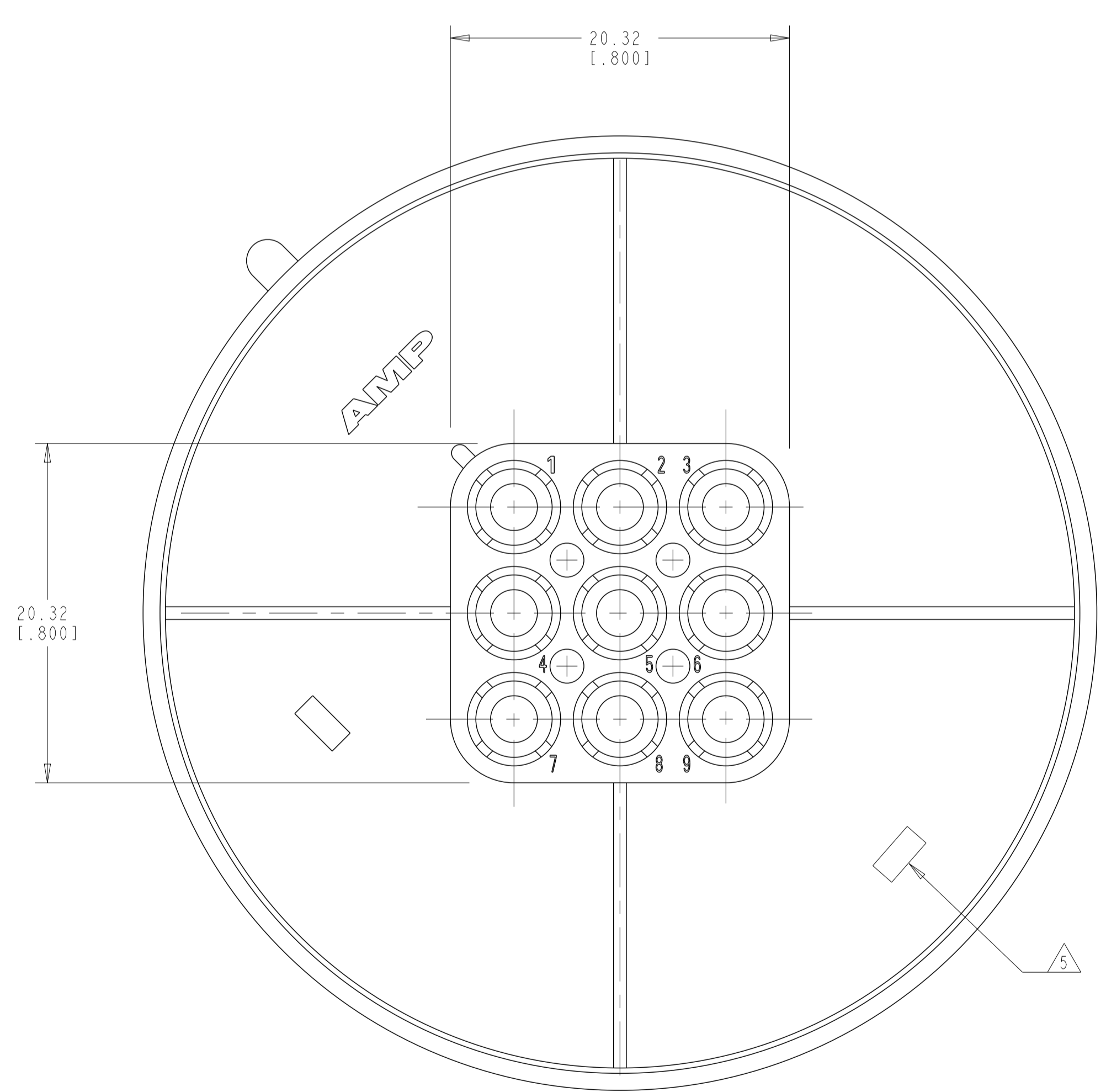
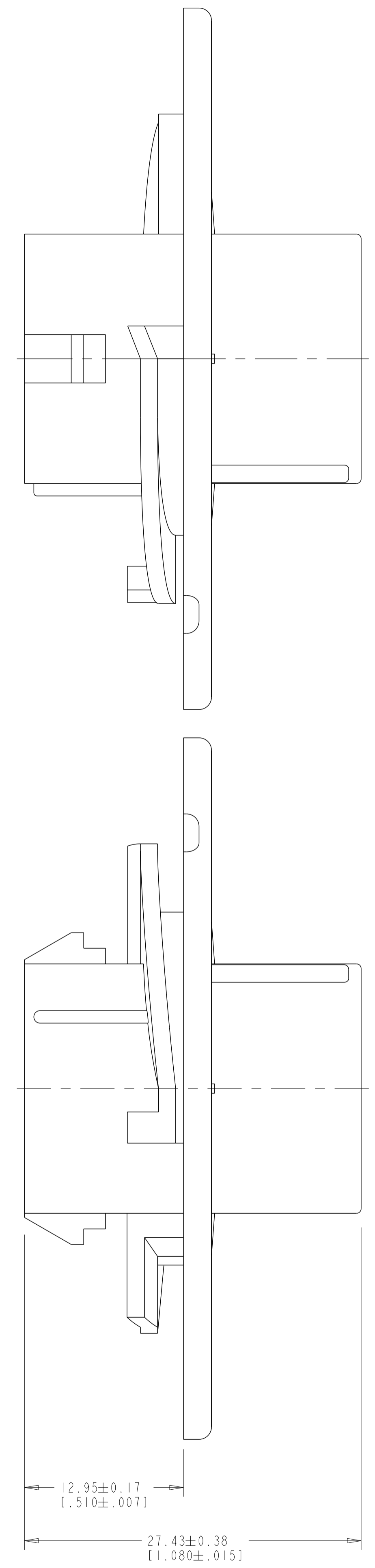
LOC		DIST		REVISIONS			
P	LTN	DESCRIPTION	DATE	DWN	APVD		
F1		REVISED PER ECR-17-015922	07NOV2017	BDA	KR		



RECOMMENDED CUT OUT



3-DIMENSIONAL MODEL SCALE 2:1



- MATES WITH APPROPRIATE UNIVERSAL MATE-N-LOK™ PLUG AND CONTACTS.
 - RECOMMENDED PANEL THICKNESS 0.76 - 2.29 [.030 - .090].
 - PANEL MUST BE PUNCHED SO THAT THE HOUSING ENTERS THE PANEL IN THE SAME DIRECTION AS THE PUNCH.
 - DIMENSIONS SHOWN REPRESENT PRODUCT IN DRY, AS MOLDED, CONDITION. ADDITIONAL 2% GROWTH DUE TO SUBSEQUENT MOISTURE ABSORPTION MAY OCCUR AND SHOULD BE ACCOUNTED FOR.
- △ 5 UL AND CSA LOGOS LOCATED APPROXIMATELY AS SHOWN

RED	2029299-1
COLOR	PART NUMBER

THIS DRAWING IS A CONTROLLED DOCUMENT.		DWN: AR JUN 16JAN2010	TE Connectivity
DIMENSIONS: mm [INCHES]		CHK: M. SARVER 16JAN2010	
TOLERANCES UNLESS OTHERWISE SPECIFIED:		APVD: -	NAME: CAP. 9 CIRCUIT, UNIVERSAL MATE-N-LOK(TM), SPECIAL
0 PLC ±	PRODUCT SPEC		SIZE: CAGE CODE DRAWING NO. RESTRICTED TO
1 PLC ±	108-1031		A1 00779 C=2029299
2 PLC ±	APPLICATION SPEC		SCALE 4:1 SHEET 1 OF 1 REV I
3 PLC ±			
4 PLC ±			
ANGLES ±	114-1010		
FINISH -	WEIGHT -		
MATERIAL: NYLON, UL 94V-0, RED	CUSTOMER DRAWING		

单击下面可查看定价，库存，交付和生命周期等信息

[>>TE Connectivity\(泰科\)](#)