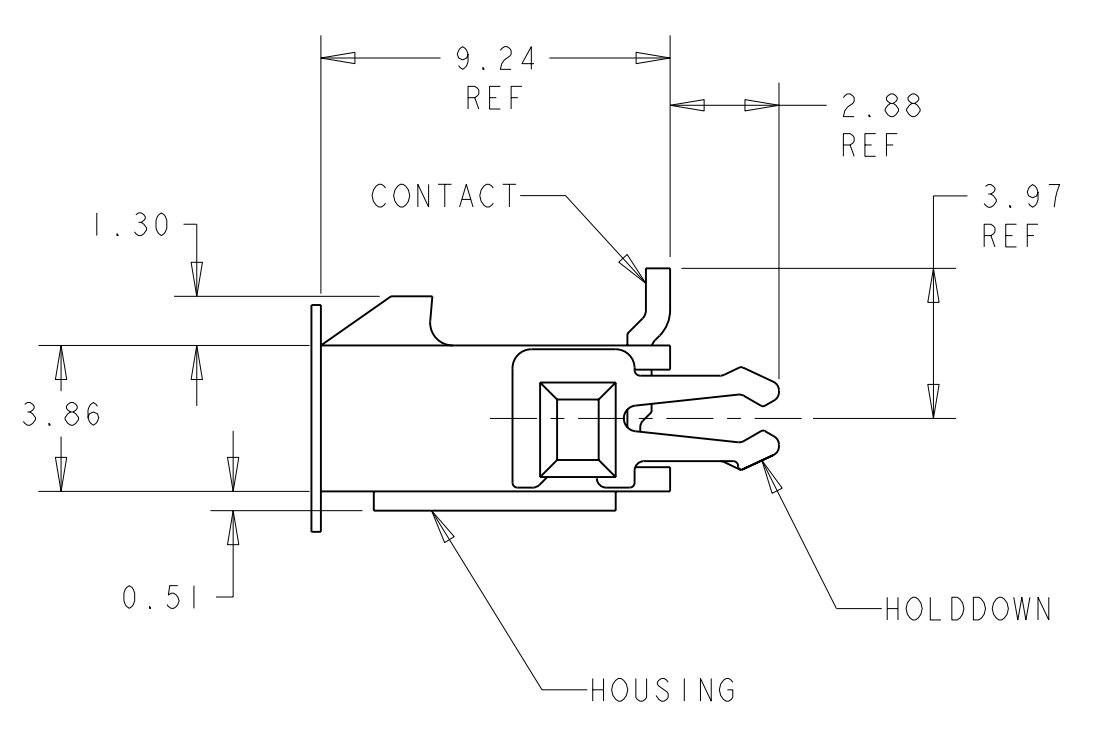
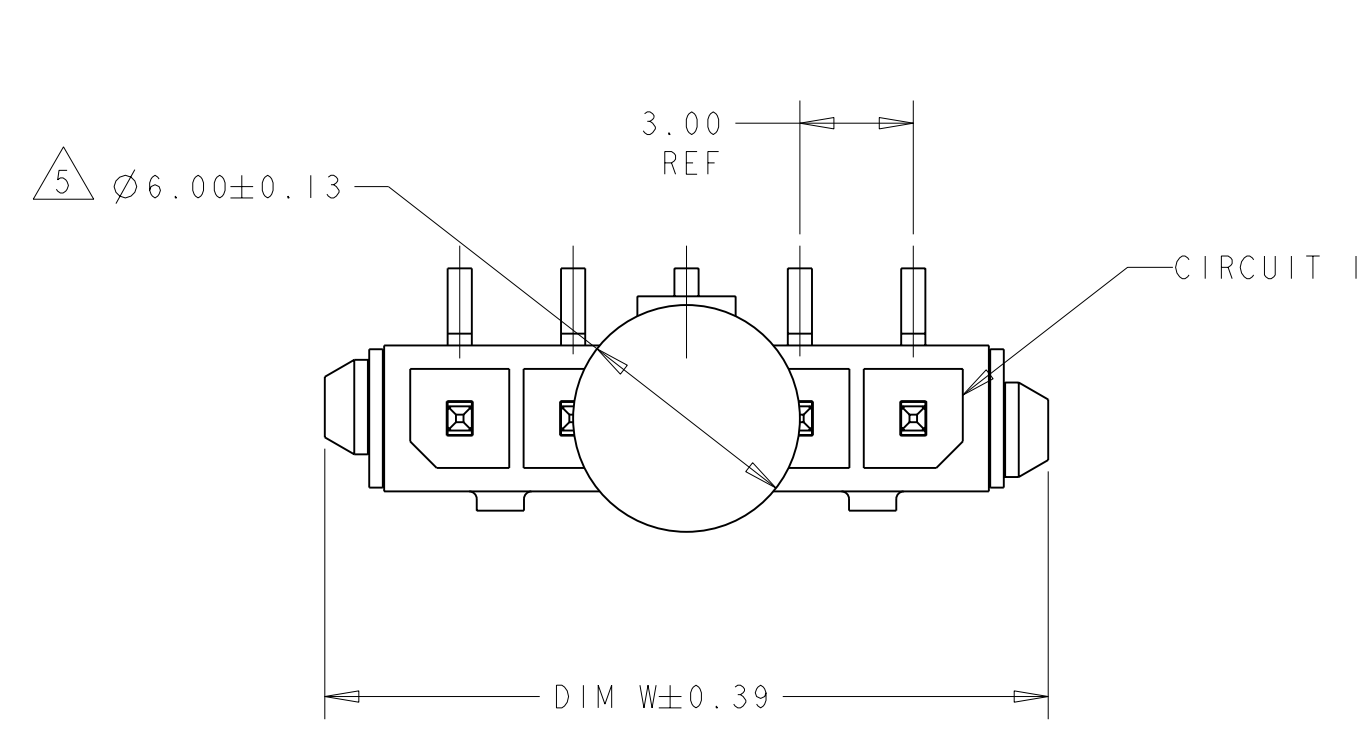
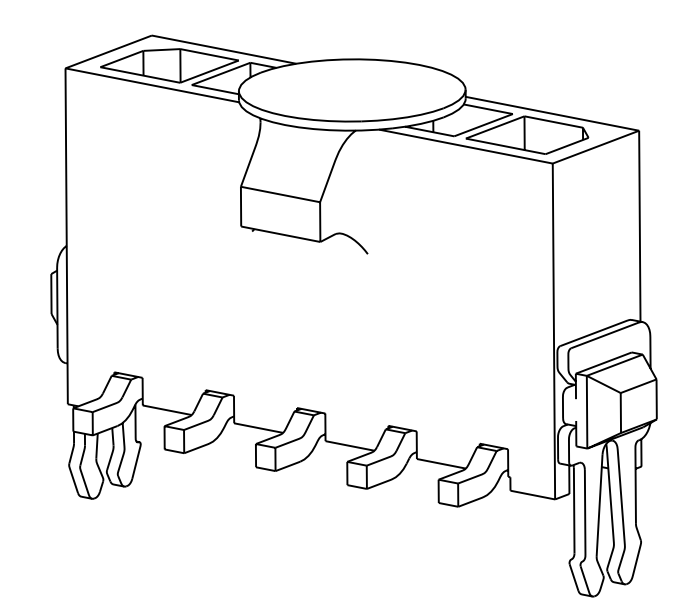
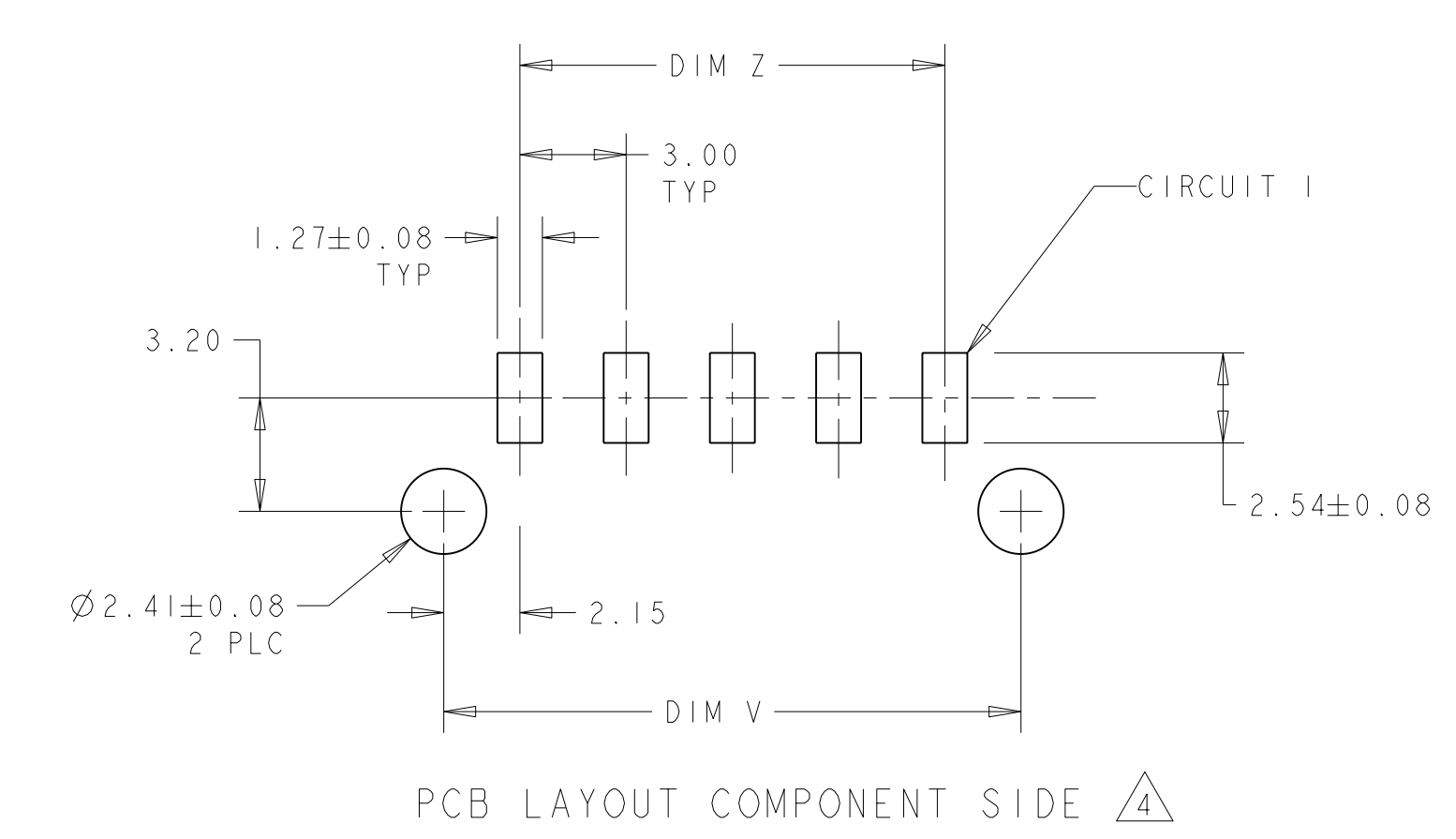
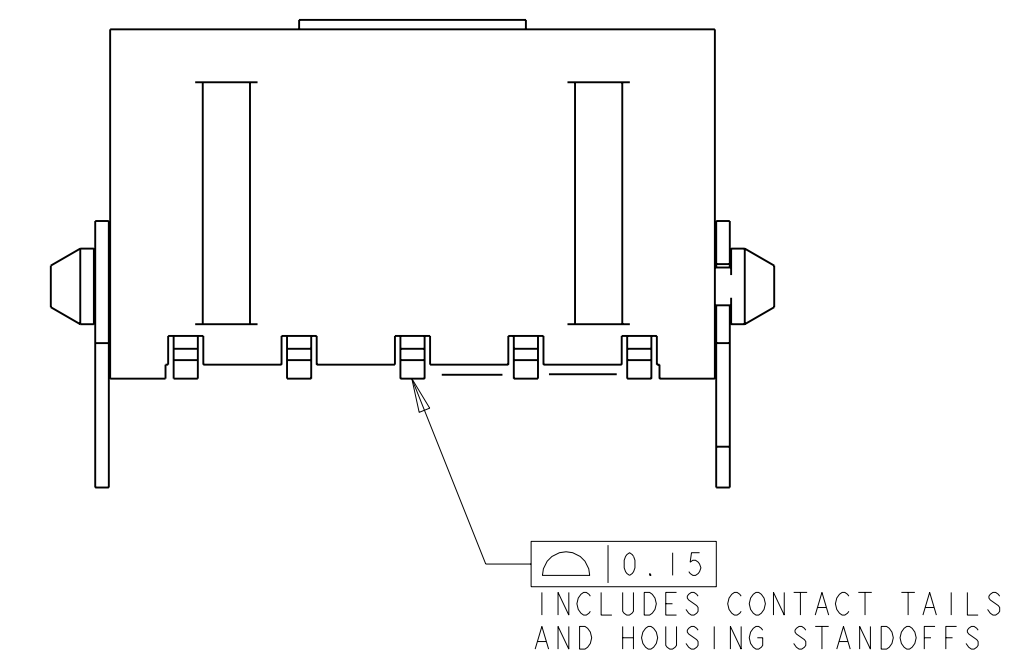


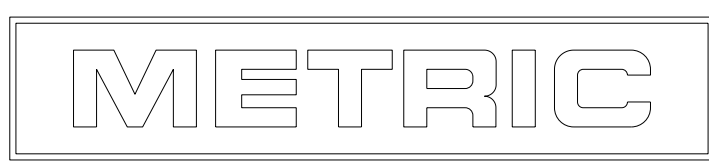
LOC		DIST		REVISIONS			
P	LTR	DESCRIPTION	DATE	DWN	APVD		
	B	REVISED PER 0G3B-0205-05	25-APR-05	KW	CJ		



- 1 MATERIAL: CONTACTS - BRASS  
HOUSING - UL 94V-0 RATED HIGH TEMP NYLON, COLOR BLACK.  
HOLDDOWNS: - PHOSPHOR BRONZE.
- 2 PLATING: CONTACTS - 0.38µm MINIMUM GOLD ON MATING END,  
2.54µm MINIMUM TIN LEAD ON SOLDER TAILS, BOTH OVER  
1.27µm MINIMUM NICKEL.  
HOLDDOWNS: 2.54µm MINIMUM TIN-LEAD OVER 1.27µm MINIMUM NICKEL.
- 4 RECOMMENDED PC BOARD THICKNESS OF 1.57.
- 5 KAPTON VACUUM PICK UP.
- 6 PLATING: CONTACTS - 0.38µm MINIMUM GOLD ON MATING END,  
2.54µm MINIMUM MATTE TIN ON SOLDER TAILS, BOTH OVER  
1.27µm MINIMUM NICKEL.  
HOLDDOWNS: 2.54µm MINIMUM MATTE TIN OVER 1.27µm MINIMUM NICKEL.



FINISH	DIM Z	DIM V	DIM W	NO. OF POSN	PART NUMBER
6	33.00	37.43	40.00	12	3-1445086-2
6	30.00	34.43	37.00	11	3-1445086-1
6	27.00	31.43	34.00	10	3-1445086-0
6	24.00	28.43	31.00	9	2-1445086-9
6	21.00	25.43	28.00	8	2-1445086-8
6	18.00	22.43	25.00	7	2-1445086-7
6	15.00	19.43	22.00	6	2-1445086-6
6	12.00	16.43	19.00	5	2-1445086-5
6	9.00	13.43	16.00	4	2-1445086-4
6	6.00	10.43	13.00	3	2-1445086-3
6	3.00	7.43	10.00	2	2-1445086-2
2	33.00	37.43	40.00	12	1-1445086-2
2	30.00	34.43	37.00	11	1-1445086-1
2	27.00	31.43	34.00	10	1-1445086-0
2	24.00	28.43	31.00	9	1445086-9
2	21.00	25.43	28.00	8	1445086-8
2	18.00	22.43	25.00	7	1445086-7
2	15.00	19.43	22.00	6	1445086-6
2	12.00	16.43	19.00	5	1445086-5
2	9.00	13.43	16.00	4	1445086-4
2	6.00	10.43	13.00	3	1445086-3
2	3.00	7.43	10.00	2	1445086-2



THIS DRAWING IS A CONTROLLED DOCUMENT FOR AMP INCORPORATED. IT IS SUBJECT TO CHANGE AND THE CONTROLLING ENGINEERING ORGANIZATION SHOULD BE CONTACTED FOR THE LATEST REVISION.

DWN J. ROOT 09OCT2000  
 CHR K. WHITAKER 20-FEB-2001  
 APVD C. JONES 20-FEB-2001

**AMP** Tyco Electronics  
 Harrisburg, PA 17105-3608

NAME VERTICAL SURFACE MOUNT HEADER ASSY,  
 15 MIC GOLD CONTACTS, THRU HOLE  
 HOLDDOWNS, SGL ROW, MICRO MATE-N-LOK™

SIZE A2 CAGE CODE 00779 DRAWING NO. C=1445086

MATERIAL SEE TABLE WEIGHT -

CUSTOMER DRAWING SCALE 5:1 SHEET 1 OF 1 REV B

单击下面可查看定价，库存，交付和生命周期等信息

[>>TE Connectivity\(泰科\)](#)