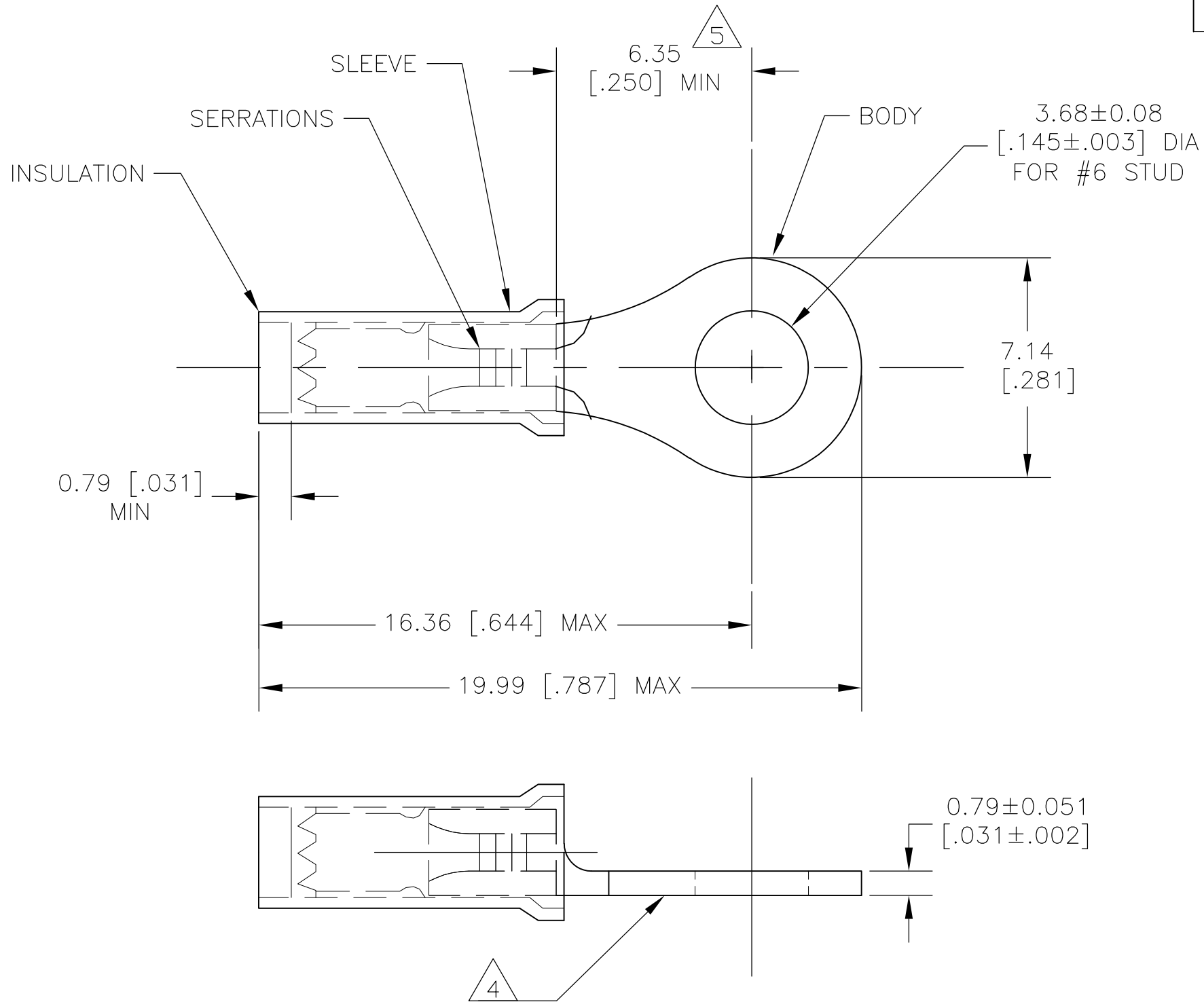


THIS DRAWING IS UNPUBLISHED. RELEASED FOR PUBLICATION
 © COPYRIGHT BY TYCO ELECTRONICS CORPORATION. ALL RIGHTS RESERVED.

LOC	DIST	REVISIONS					
G	86	P	LTR	DESCRIPTION	DATE	DWN	APVD
			E1	REVISED PER ECR 07-018343	06AUG07	JR	TM



- $\triangle 1$ BODY - COPPER PER ASTM B152 ANNEALED
SLEEVE - COPPER PER ASTM B152
INSULATION - NYLON
- $\triangle 2$ BODY & SLEEVE - TIN PLATED
INSULATION - COLOR - PURPLE
- 3 FOR 1.14-2.03 [.045-.080] DIA WIRE INSULATION
- $\triangle 4$ STAMP AMP 20, APPROX WHERE SHOWN.
- $\triangle 5$ APPLIES FROM EDGE OF METAL WIRE BARREL TO CENTERLINE OF STUD HOLE.
- 6 0.41-0.65mm² [810-1,290] CMA SOLID OR STRANDED

1000	LOOSE PIECE	152895
QTY	PACKAGING TYPE	PART NO.

THIS DRAWING IS A CONTROLLED DOCUMENT.		DWN jr_ruth 06AUG07	Tyco Electronics Corporation Harrisburg, PA 17105-3608	
DIMENSIONS: MM [INCHES]		CHK T MICHELUTTI 30AUG07	NAME RING TONGUE, PIDG	
TOLERANCES UNLESS OTHERWISE SPECIFIED:		APVD T MICHELUTTI 30AUG07	PRODUCT SPEC -	
0 PLC \pm -		APPLICATION SPEC -	SIZE A3	CAGE CODE 00779
1 PLC \pm -		RESTRICTED TO -	DRAWING NO C-152895	SCALE 6:1
2 PLC \pm -		WEIGHT -	SHEET 1 OF 1	REV E1
3 PLC \pm 0.38 [.015]		CUSTOMER DRAWING		
4 PLC \pm -				
ANGLES \pm 5°				
MATERIAL - $\triangle 1$				
FINISH - $\triangle 2$				

单击下面可查看定价，库存，交付和生命周期等信息

[>>TE Connectivity\(泰科\)](#)