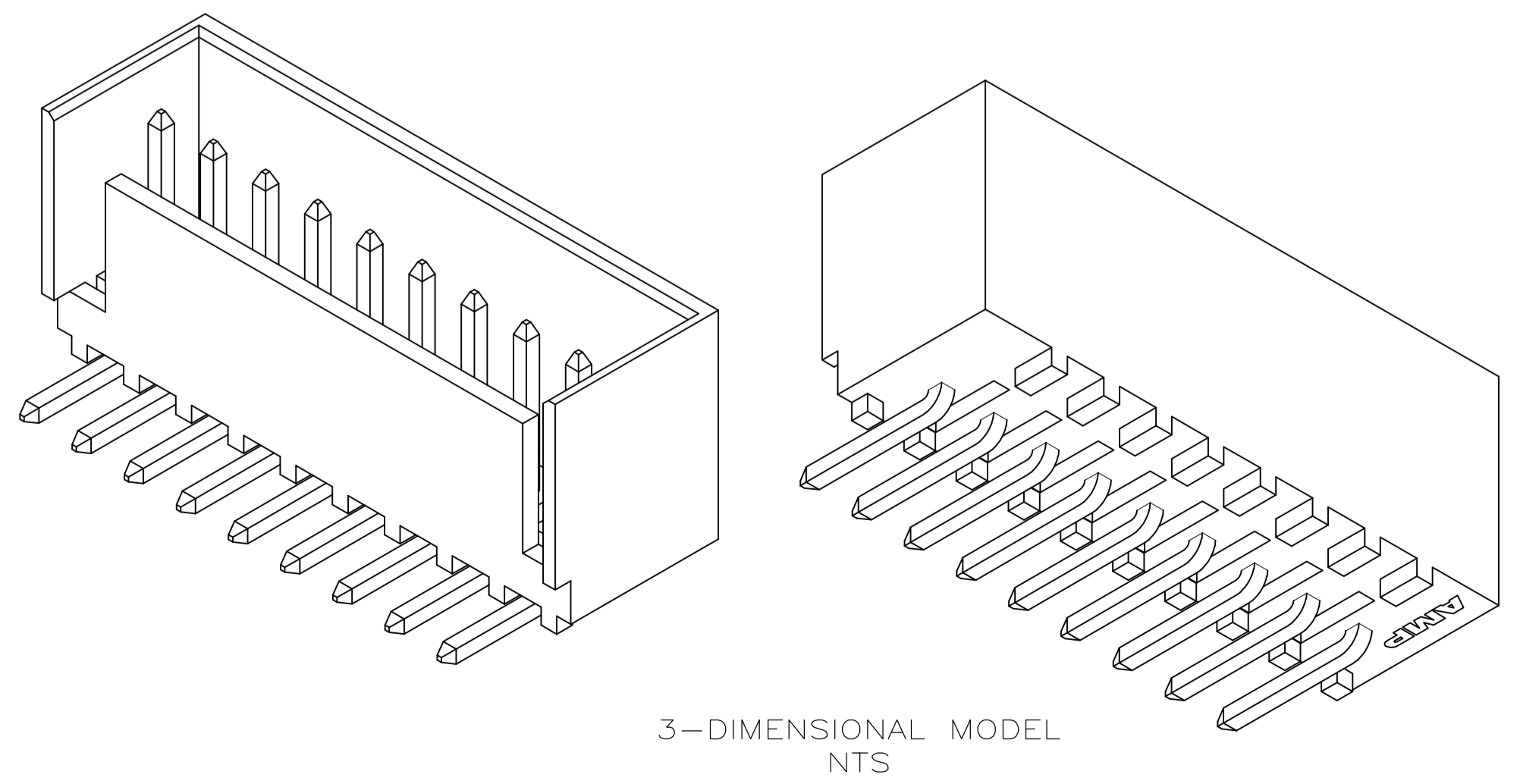
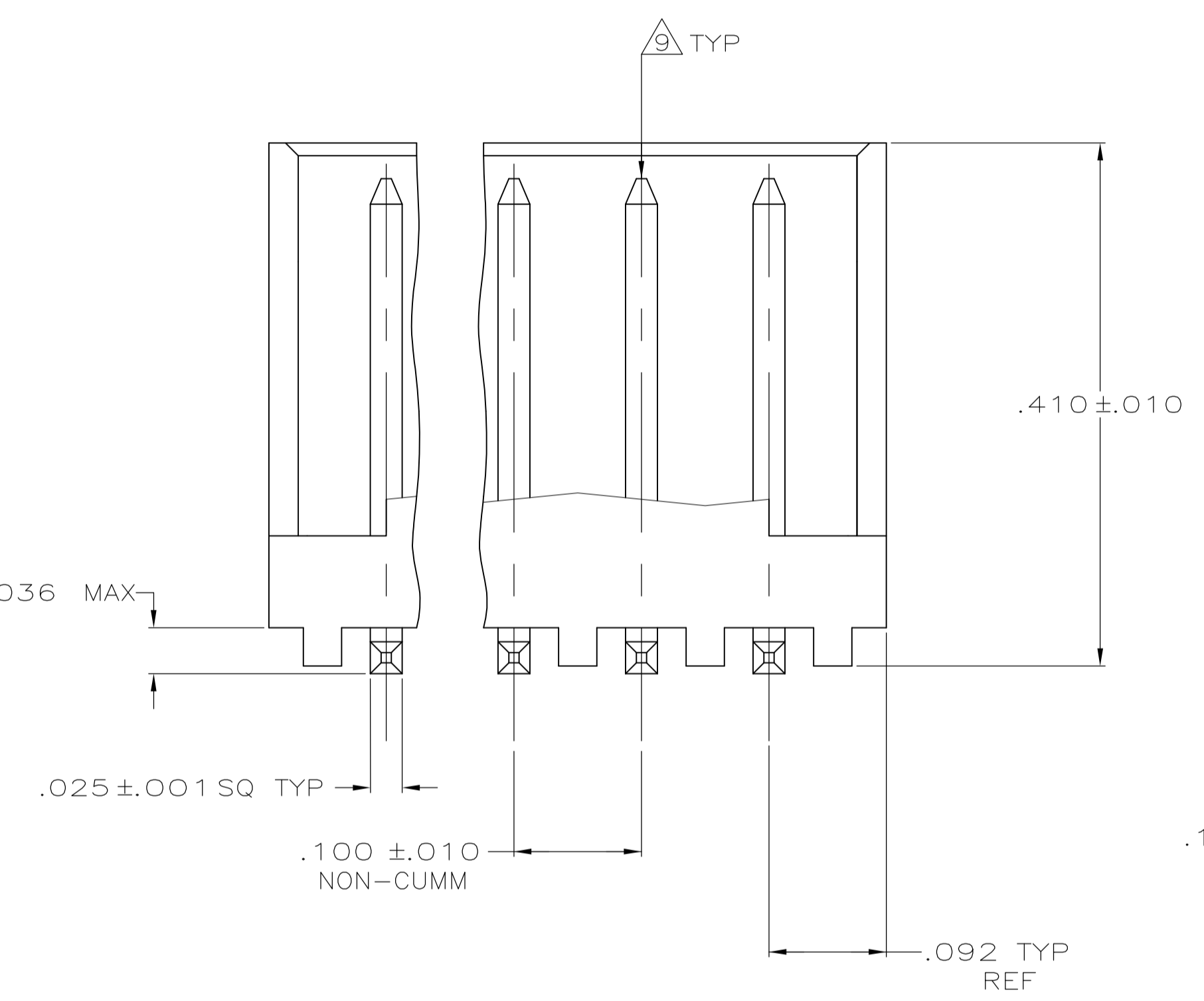
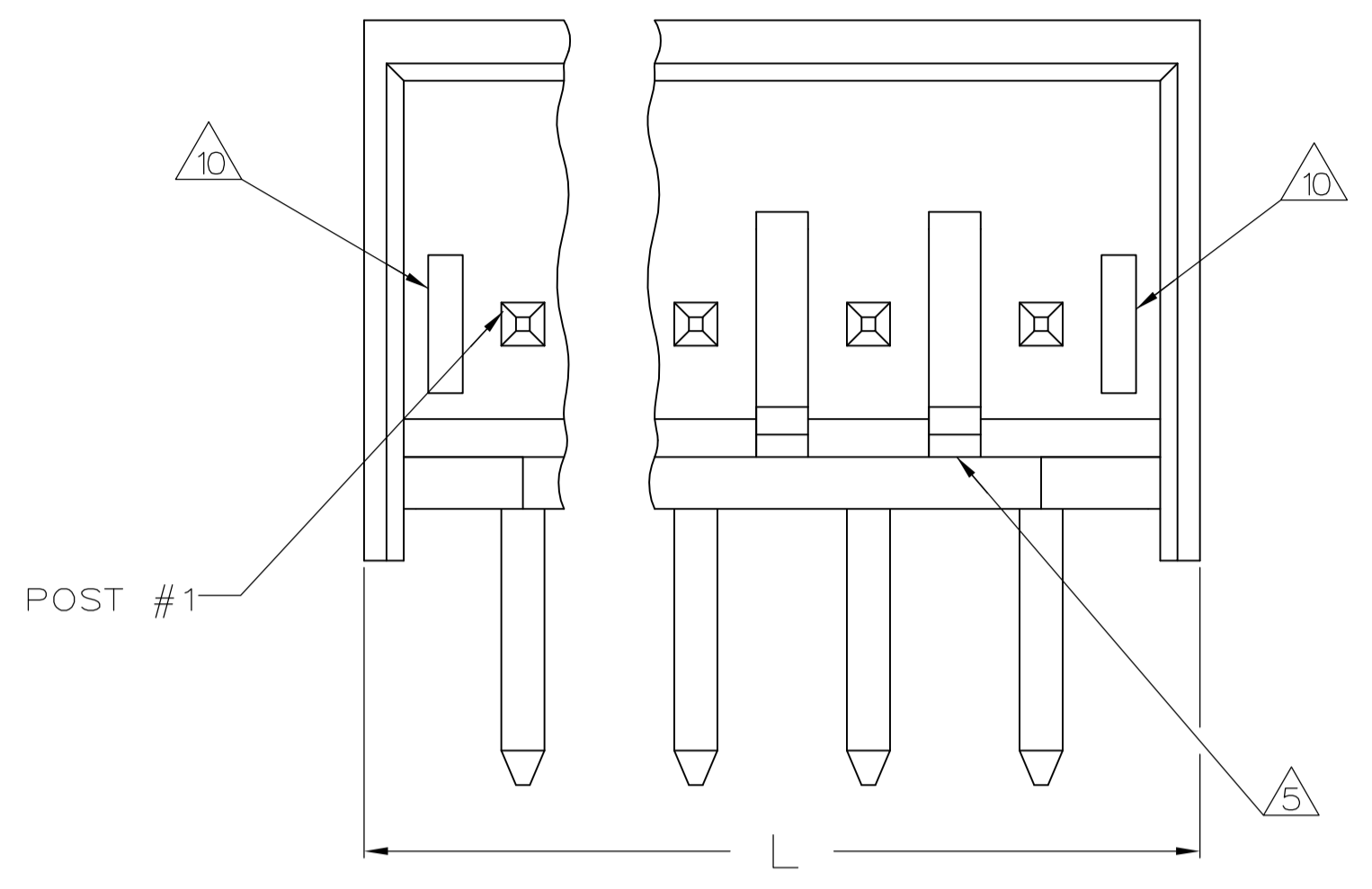
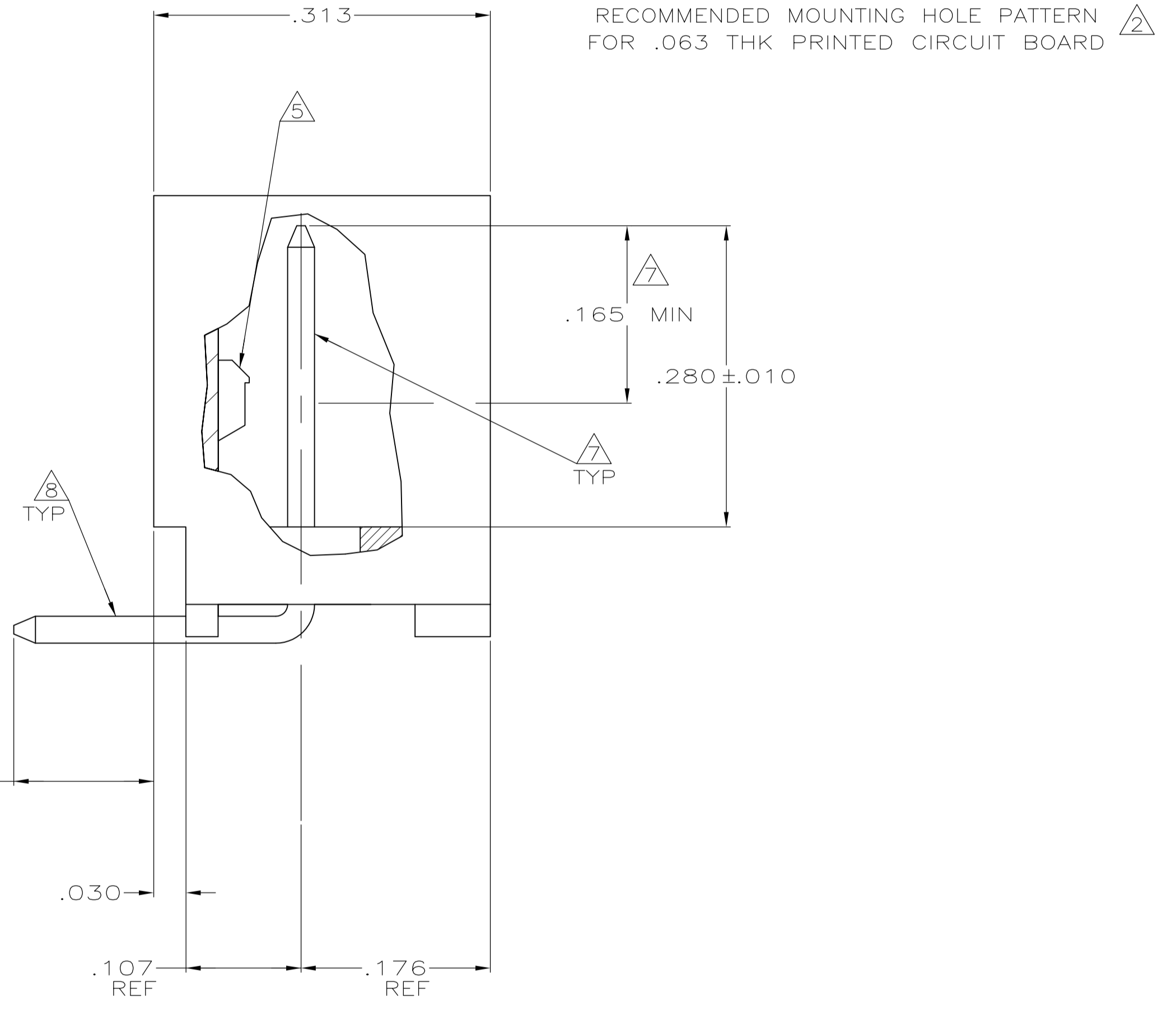
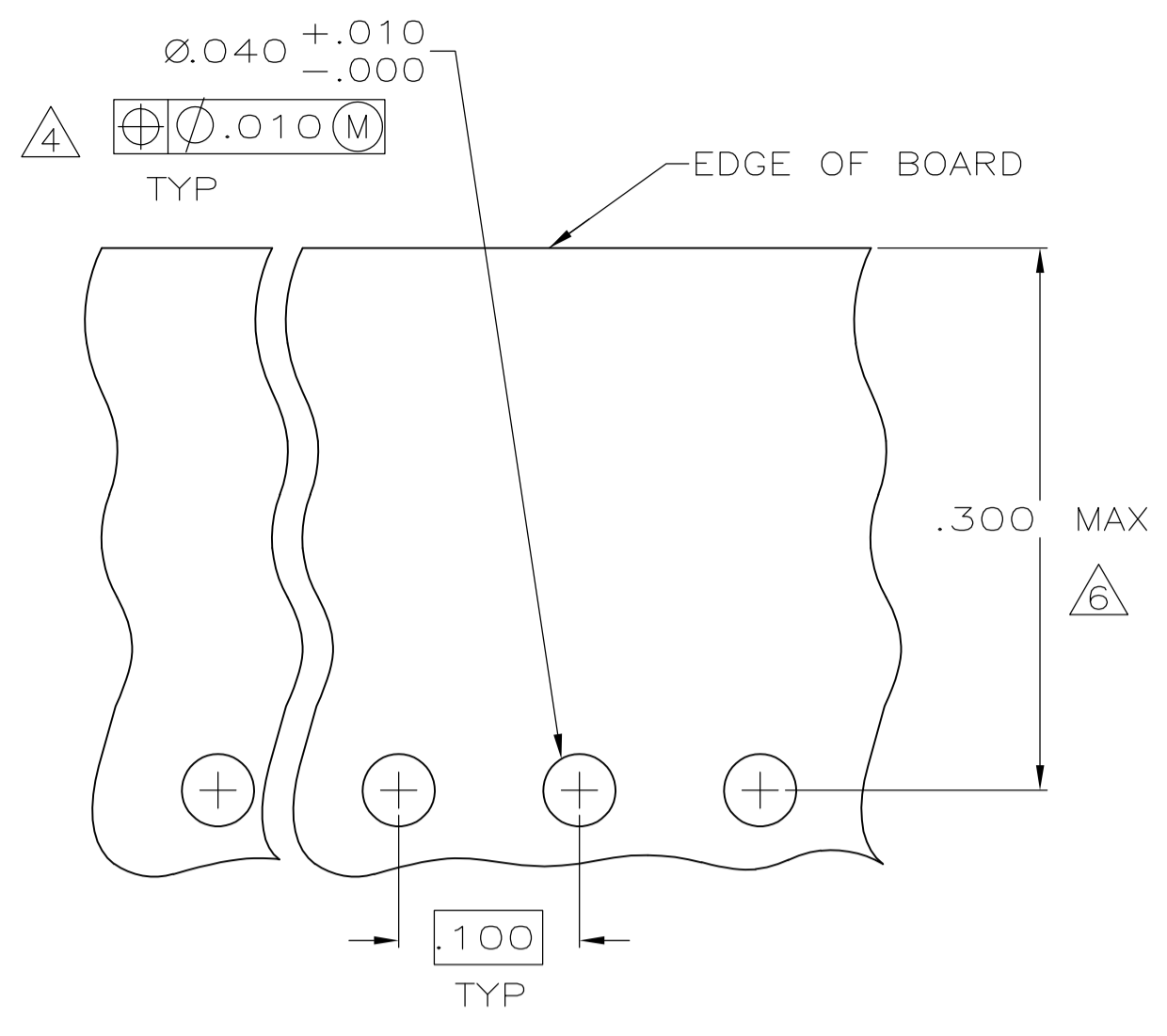


| LOC | DIST | REVISIONS | | | | |
|-----|------|---------------------------|-------------|-----------|----|------|
| GP | 00 | REV | DESCRIPTION | DATE | BY | APPV |
| G1 | | REVISED PER ECR-15-007038 | | 28SEP2015 | NK | PQ |



| | .025 | 0.64 | .107 | 2.72 | - | - |
|--|---------|---------|------|------|------|-------|
| | .010 | 0.25 | .100 | 2.54 | .410 | 10.41 |
| | .005 | 0.13 | .092 | 2.34 | .313 | 7.95 |
| | .001 | 0.03 | .063 | 1.60 | .300 | 7.62 |
| | .000350 | 0.00889 | .040 | 1.02 | .280 | 7.11 |
| | .000150 | 0.00381 | .036 | 0.91 | .176 | 4.47 |
| | .000050 | 0.00127 | .035 | 0.89 | .165 | 4.19 |
| | .000030 | 0.00076 | .032 | 0.81 | .140 | 3.56 |
| | .000 | 0.00 | .030 | 0.76 | .130 | 3.30 |
| | IN | MM | IN | MM | IN | MM |

CONVERSION TABLE



- 1 MATERIAL: HEADER - POLYESTER UL94V-0 (BLACK)
POST - COPPER ALLOY.
- 2 SOLDER SIDE OF P.C. BOARD SHOWN.
- 3 PARTS COMPLY WITH TYCO ELECTRONICS SOLDERABILITY SPEC 109-11-12 (TIN).
- 4 ONE HOLE MAY BE UNDERSIZED (.032-.035 DIA) FOR ASSEMBLY RETENTION DURING WAVE SOLDERING.
- 5 LATCH DETENT FEATURE OCCURS 2 PLACES ON EACH END (MAXIMUM OF FOUR PER PART). FOR 2 THRU 5 CIRCUIT HEADERS, LATCH FEATURE OCCURS BETWEEN EACH CIRCUIT.
- 6 COORDINATE DIMENSION APPLIES FROM CENTER OF ACTUAL FEATURE.
- 7 GOLD PLATE, .000030 MIN, FOUR SIDES AS SHOWN, OVER NICKEL UNDERPLATE, .000050 MIN, ALL SIDES AND ENTIRE LENGTH OF POST.
OR
GOLD FLASH OVER PALLADIUM-NICKEL, .000030 MIN TOTAL THICKNESS AS SHOWN, OVER NICKEL UNDERPLATE .000050 MIN ALL SIDES AND ENTIRE LENGTH OF POST. EITHER PLATING MAY BE PROVIDED AT THE DISCRETION OF TYCO ELECTRONICS.
- 8 TIN PLATE, ALL FOUR SIDES, .140 REF.
- 9 POST MUST WITHSTAND 3.0 LBS (13.34 NEWTONS) MIN FORCE WITHOUT DISLODGING, EITHER DIRECTION.
- 10 SLOTS MAY OR MAY NOT APPEAR ON THESE PARTS.
- 11 MATTE TIN (100%) PLATE, ALL FOUR SIDES, .140 REF.
- 12 UL RECOGNIZED (UR) LOGO AND CSA LOGO WILL APPEAR ON THE SIDE OF THE PART, AMP LOGO MAY APPEAR ON THE SIDE OF THE PART OR ON THE BOTTOM.
- 13 OBSOLETE PART NUMBER

| | | | |
|-------|-------|-----------------|-------------|
| 1.484 | 37.69 | 14 | 4-644898-4 |
| 1.384 | 35.15 | 13 | 4-644898-3 |
| 1.284 | 32.61 | 12 | 4-644898-2 |
| 1.184 | 30.07 | 11 | 4-644898-1 |
| 1.084 | 27.53 | 10 | 4-644898-0 |
| .984 | 24.99 | 9 | 3-644898-9 |
| .884 | 22.45 | 8 | 3-644898-8 |
| .784 | 19.91 | 7 | 3-644898-7 |
| .684 | 17.37 | 6 | 3-644898-6 |
| .584 | 14.83 | 5 | 3-644898-5 |
| .484 | 12.29 | 4 | 3-644898-4 |
| .384 | 9.75 | 3 | 3-644898-3 |
| .284 | 7.21 | 2 | 3-644898-2 |
| 1.484 | 37.69 | 14 | 13-644898-4 |
| 1.384 | 35.15 | 13 | 13-644898-3 |
| 1.284 | 32.61 | 12 | 13-644898-2 |
| 1.184 | 30.07 | 11 | 13-644898-1 |
| 1.084 | 27.53 | 10 | 13-644898-0 |
| .984 | 24.99 | 9 | 13-644898-9 |
| .884 | 22.45 | 8 | 13-644898-8 |
| .784 | 19.91 | 7 | 13-644898-7 |
| .684 | 17.37 | 6 | 13-644898-6 |
| .584 | 14.83 | 5 | 13-644898-5 |
| .484 | 12.29 | 4 | 13-644898-4 |
| .384 | 9.75 | 3 | 13-644898-3 |
| .284 | 7.21 | 2 | 13-644898-2 |
| IN | MM | NO OF POSITIONS | PART NUMBER |
| L | | HEADER ASSEMBLY | |

THIS DRAWING IS A CONTROLLED DOCUMENT.

DIN K. WHITAKER 27JUNE2005
CHK D. ROSSI 27JUNE2005
APPV D. ROSSI 27JUNE2005

TE Connectivity

CST-100 SHROUDED HEADER ASSEMBLY, FRICTION LOCK, RIGHT ANGLE POST, .000030 GOLD

SIZE: A1 CASE CODE: 00779 DRAWING NO: 644898

RESTRICTED TO: CUSTOMER DRAWING SCALE: 10:1 SHEET: 1 OF 1 REV: G1

单击下面可查看定价，库存，交付和生命周期等信息

[>>TE Connectivity\(泰科\)](#)