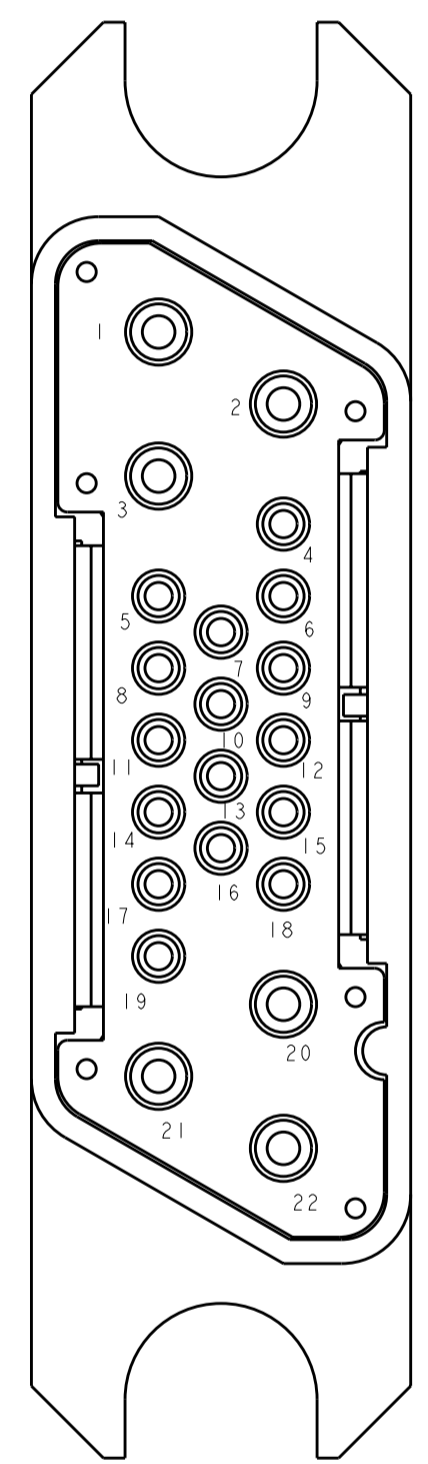
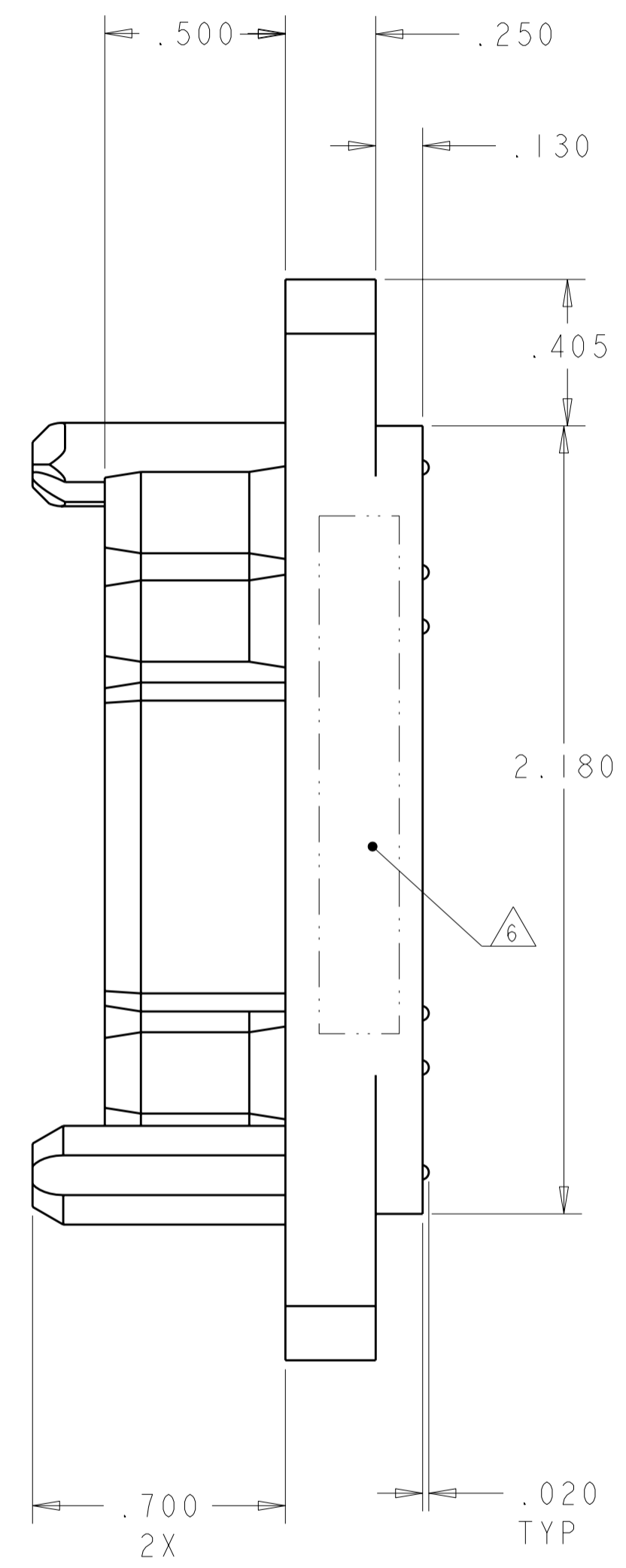
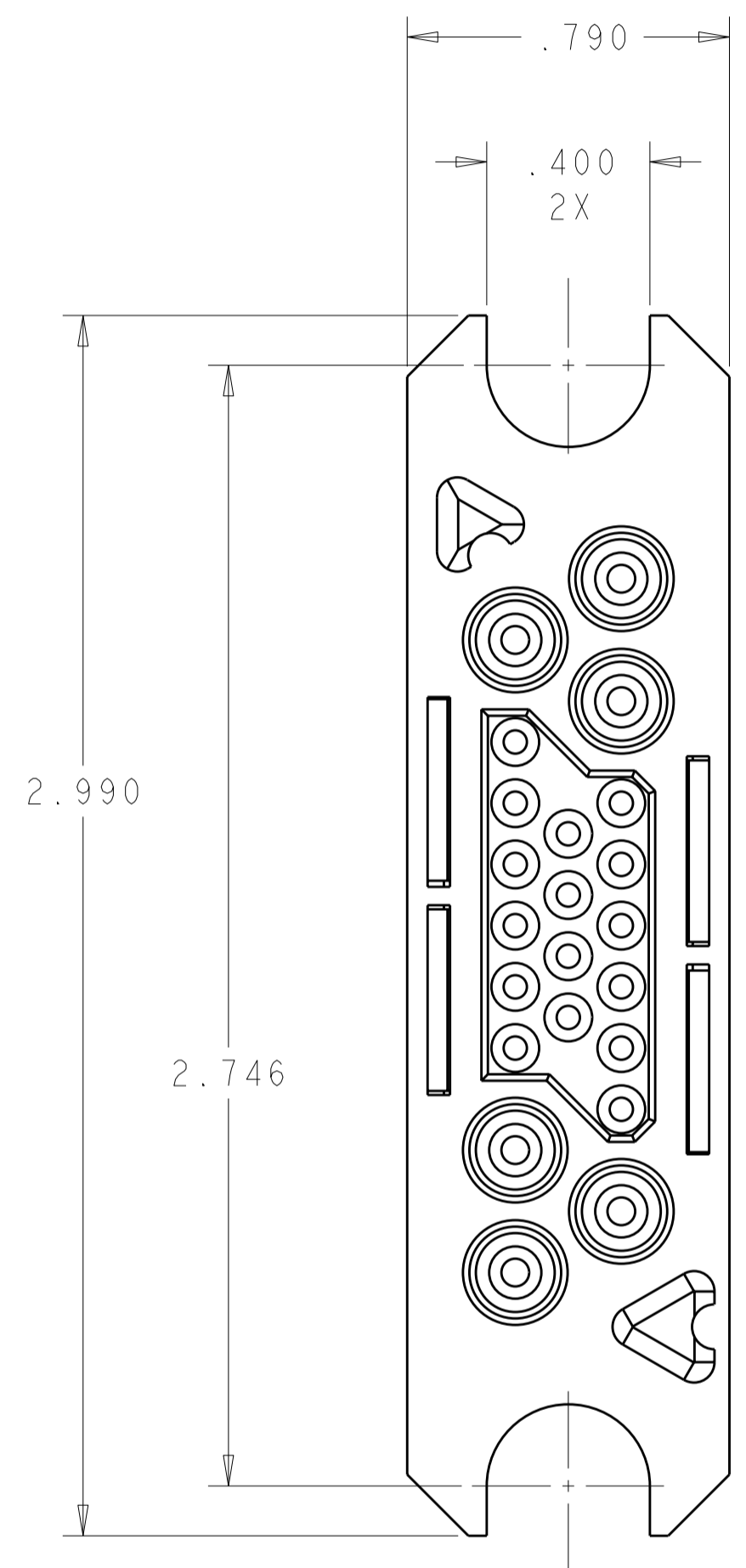


THIS DRAWING IS UNPUBLISHED. RELEASED FOR PUBLICATION 20
 © COPYRIGHT 20 BY TYCO ELECTRONICS CORPORATION. ALL RIGHTS RESERVED.

LOC	DIST	REVISIONS					
GP	00	P	LTR	DESCRIPTION	DATE	DWN	APVD
			A	RELEASED	02SEP2008	RG	DO



SOCKET CONTACT (C)
 SIZE #12

SOCKET CONTACT (B)
 SIZE #20

SOCKET CONTACT (C)
 SIZE #12

REAR VIEW

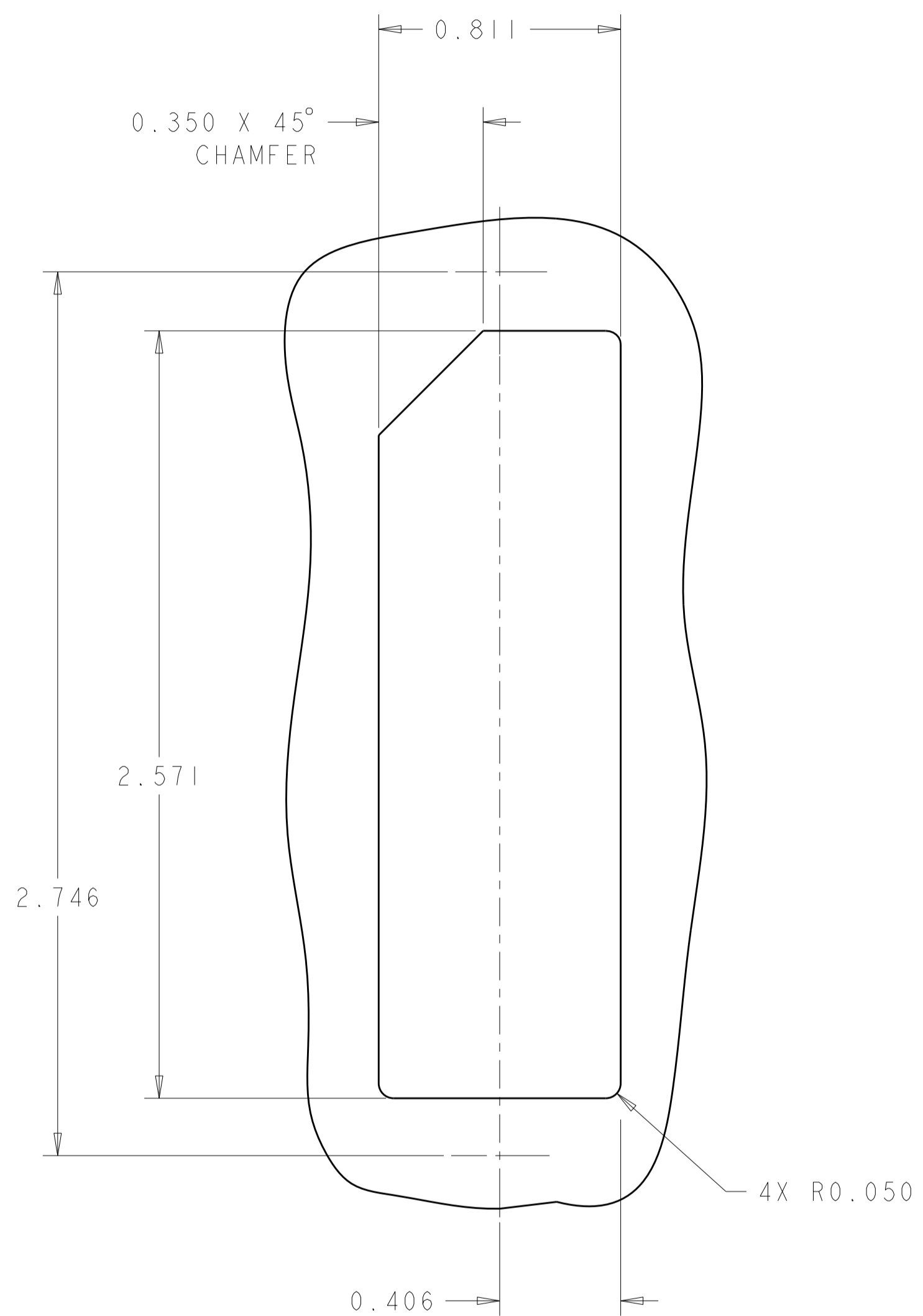
AS SHOWN	1926931-1
DESCRIPTION	PART NUMBER

ELCON MINI DRAWER

THIS DRAWING IS A CONTROLLED DOCUMENT FOR TYCO ELECTRONICS CORPORATION. IT IS SUBJECT TO CHANGE AND THE CONTROLLING ENGINEERING ORGANIZATION SHOULD BE CONTACTED FOR THE LATEST REVISION.		DWN R. GRZYBOWSKI 18AUG08	Tyco Electronics Harrisburg, PA 17105-3608
DIMENSIONS: INCHES		CHK D. ORRIS 18AUG08	
TOLERANCES UNLESS OTHERWISE SPECIFIED:		APVD M. PERCHERKE 18AUG08	NAME SOCKET CONNECTOR ASSEMBLY WITH CRIMP CONTACTS MINI DRAWER
0 PLC ±-		PRODUCT SPEC	SIZE
1 PLC ±-		APPLICATION SPEC	CAGE CODE
2 PLC ±.02		WEIGHT	DRAWING NO
3 PLC ±.010		CUSTOMER DRAWING	RESTRICTED TO
4 PLC ±-		SCALE 3:1	SHEET 1 OF 2
ANGLES ±-			REV A
FINISH			

THIS DRAWING IS UNPUBLISHED. RELEASED FOR PUBLICATION 20
 © COPYRIGHT 20 BY TYCO ELECTRONICS CORPORATION. ALL RIGHTS RESERVED.

LOC		DIST		REVISIONS			
P	LTR	DESCRIPTION	DATE	DWN	APVD		
		SEE SHEET 1					



SUGGESTED PANEL CUTOUT
 VIEW FROM CONNECTOR MOUNTING SIDE

- PART NUMBER CHANGES AND OR DESIGN CHANGES AFFECTING THE INTERCHANGEABILITY REQUIRE PRIOR TYCO ELECTRONICS APPROVAL AND AUTHORIZATION BY REVISION TO THIS DRAWING.
- MATERIAL:
 INSULATOR: THERMOPLASTIC, GLASS REINFORCED, UL 94V-0 FLAMMABILITY RATED, COLOR: BLACK
 CONTACT: COPPER ALLOY
 CROWN BAND: BERYLLIUM COPPER
 RETENTION CLIP: BERYLLIUM COPPER OR STAINLESS STEEL
- FINISH:
 CONTACTS SIZE #12 : SILVER PLATE .000200 MIN OVER NICKEL .000040 MIN THK.
 CONTACTS SIZE #20 : GOLD .000010 MIN. THK. OVER NICKEL .000040 MIN THK.
 CROWN BAND: GOLD PLATE .000030 MIN OVER NICKEL .000040 MIN THK.
- ⚠ CRIMP CONTACTS (ITEMS B & C) AND SCREWS (ITEM D) SHALL BE PACKAGED SEPARATELY AND PLACED IN THE BOX WITH THE CONNECTOR ASSEMBLY.
- THIS CONNECTOR ASSEMBLY SHALL BE PACKAGED AS A KIT.
- ⚠ ITEMS PROVIDED TO THIS SPECIFICATION TO BE PERMANENTLY IDENTIFIED PER THE FOLLOWING IDENTIFIER:

TYCO ELECTRONICS P/N: XXXXXXXX-X
 DATE CODE (e.g. 0216): XXXX YEAR 1 WEEK 1

2	1650402-1	SCREW, SHOULDER, 8 X 32 UNC THD	D
6	6648318-1	CONTACT, SOCKET, SIZE #12, CRIMP, STD	C
16	1648325-1	CONTACT, SOCKET, SIZE #20, CRIMP, STD	B
1	1648115-2	HOUSING, SOCKET, PCB MOUNT, NO LABEL	A
-1	PART NUMBER	DESCRIPTION	ITEM

ELCON MINI DRAWER

<small>THIS DRAWING IS A CONTROLLED DOCUMENT FOR TYCO ELECTRONICS CORPORATION. IT IS SUBJECT TO CHANGE AND THE CONTROLLING ENGINEERING ORGANIZATION SHOULD BE CONTACTED FOR THE LATEST REVISION.</small>		DWN: R. GRZYBOWSKI 18AUG08 CHK: D. ORRIS 18AUG08 APVD: M. PERCHERKE 18AUG08	Tyco Electronics Harrisburg, PA 17105-3608
DIMENSIONS: INCHES 	TOLERANCES UNLESS OTHERWISE SPECIFIED: 0 PLC ± 1 PLC ±.02 2 PLC ±.02 3 PLC ±.010 4 PLC ± ANGLES ± FINISH	PRODUCT SPEC: - APPLICATION SPEC: - WEIGHT: -	NAME: SOCKET CONNECTOR ASSEMBLY WITH CRIMP CONTACTS MINI DRAWER SIZE: A2 CAGE CODE: 00779 DRAWING NO: 1926931 RESTRICTED TO: -
MATERIAL: -		CUSTOMER DRAWING SCALE: 3:1 SHEET 2 OF 2 REV A	

单击下面可查看定价，库存，交付和生命周期等信息

[>>TE Connectivity\(泰科\)](#)