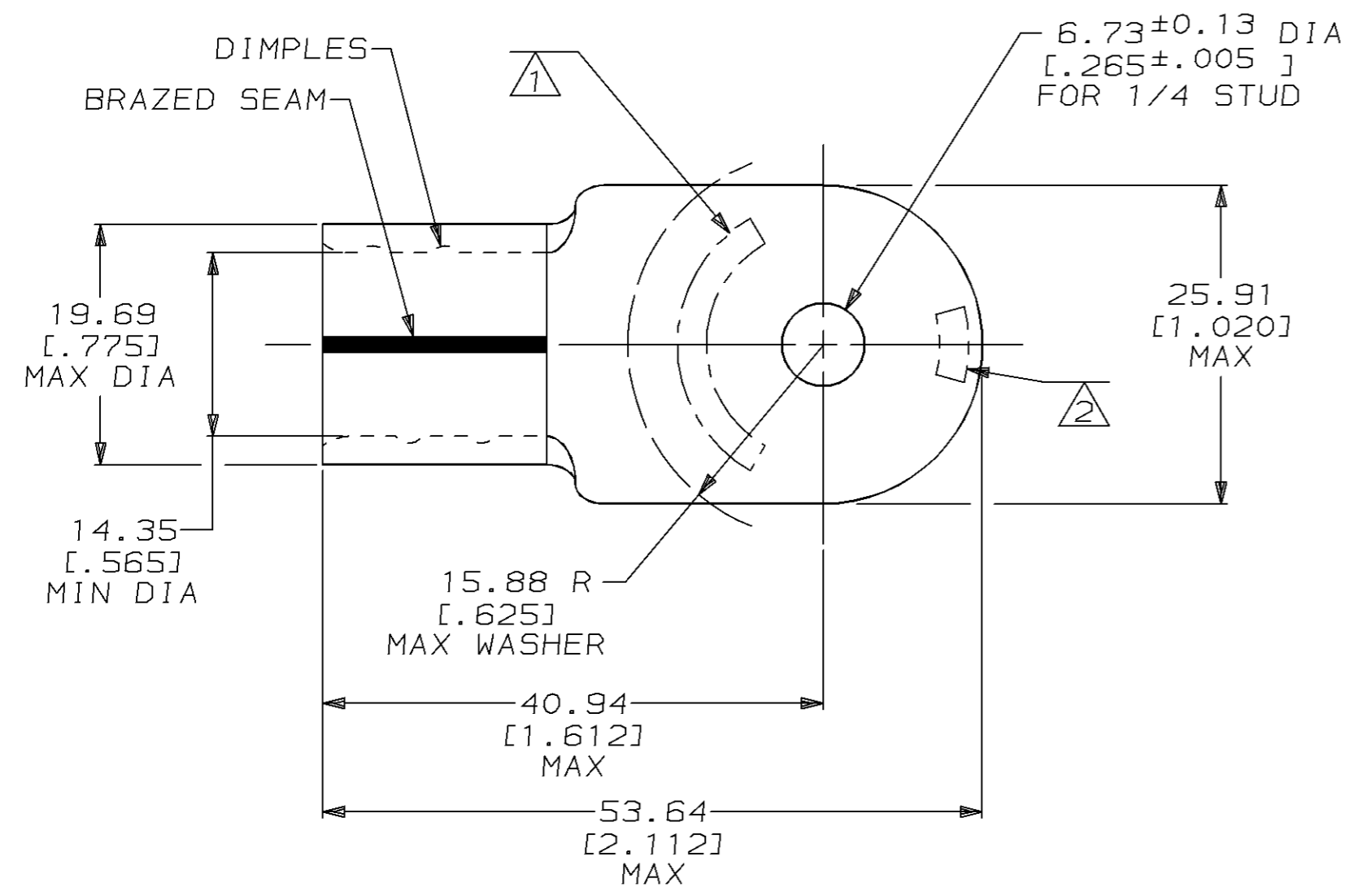


THIS DRAWING IS UNPUBLISHED. RELEASED FOR PUBLICATION ,19 .
 © COPYRIGHT 19 BY AMP INCORPORATED. ALL RIGHTS RESERVED.

| LOC | DIST | REVISIONS | | | | | |
|-----|------|-----------|-----|------------------------------|---------|-----|------|
| | | P | LTR | DESCRIPTION | DATE | DWN | APVD |
| G | 14 | | C | REV & REDWN PER 0L20-0073-96 | 19FEB97 | DKS | CHK |

| | |
|------------------------------|---------------------------|
| AMP WIRE RANGE | E13288 Listed |
| 3/0 AWG SOLID OR STRANDED | 3/0 AWG STRANDED |
| LR7189 Certified | MILITARY P/N AND CLASS |
| 3/0 AWG SOLID OR STRANDED | NOT APPLICABLE |



- △ 1 STAMP AMP 3/0W* APPROX AS SHOWN
- △ 2 STAMP 150 APPROX AS SHOWN
- 3 MATERIAL THK: 2.31±0.08 [.091±.003]
- △ 4 SEE RESTRICTED CUSTOMER DRAWING 1-323868-1

| |
|--------------------|
| △ 1-323868-1 |
| 323868 |
| AMP PART NUMBER |

AMP INCORPORATED
CUSTOMER SERVICE SYSTEMS

| | | |
|--|--|--|
| FOR ADDITIONAL PRODUCT INFORMATION OR COPIES OF DRAWINGS AND TECHNICAL DOCUMENTS | PRODUCT INFORMATION CENTER 1-800-522-6752 | RECOMMENDED OPERATING TEMPERATURE: 170°C MAX |
| FOR APPLICATION TOOLING INFORMATION | TOOLING ASSISTANCE CENTER 1-800-722-1111 | VOLTAGE RATING: NOT APPLICABLE |
| FOR ORDER ENTRY | 1-800-526-5142 | WIRE CROSS SECTIONAL AREA RANGE: 76.3-96.3mm ² [150,500-190,000] CIR MILS STRANDED |

THIS DRAWING IS A CONTROLLED DOCUMENT FOR AMP INCORPORATED. IT IS SUBJECT TO CHANGE AND THE CONTROLLING ENGINEERING ORGANIZATION SHOULD BE CONTACTED FOR THE LATEST REVISION.

| | |
|--|---|
| DIMENSIONS: mm [INCHES] | TOLERANCES UNLESS OTHERWISE SPECIFIED: |
| | 0 PLC ±- |
| | 1 PLC ±- |
| | 2 PLC ±0.20 [.008] |
| | 3 PLC ±- |
| | 4 PLC ±- |
| | ANGLES ±- |
| MATERIAL COPPER PER ASTM B-152 ANNEALED | FINISH TIN PLATE 0.00254 [.000100] MIN THK PER MIL-T-10727 |

| | |
|-------------------------------|--|
| DWN DK SCHRUM 19FEB97 | AMP AMP Incorporated Harrisburg, PA 17105-3608 |
| CHK DM SWARTZ 25FEB97 | |
| APVD JL MECKLEY 25FEB97 | |
| PRODUCT SPEC | NAME TERMINAL, RING TONGUE, SOLISTRAND™ |
| APPLICATION SPEC | SIZE A3 |
| WEIGHT - | CAGE CODE 00779 |
| CUSTOMER DRAWING | DRAWING NO C-323868 |
| | SCALE 2:1 |
| | SHEET 1 OF 1 |
| | REV C |

单击下面可查看定价，库存，交付和生命周期等信息

[>>TE Connectivity\(泰科\)](#)