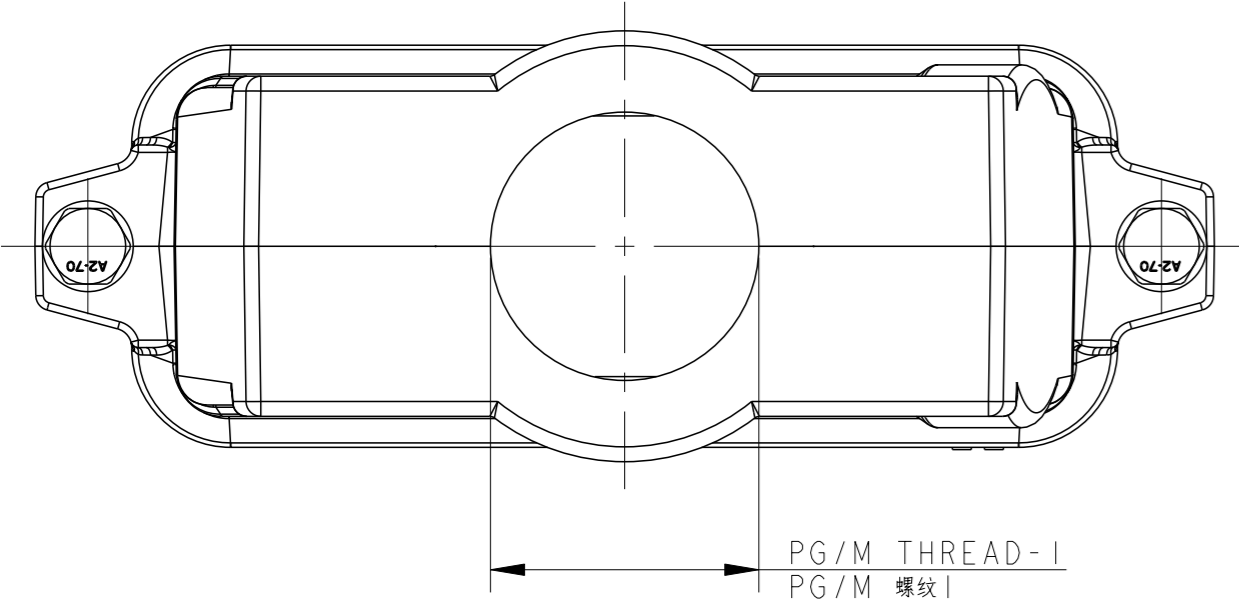
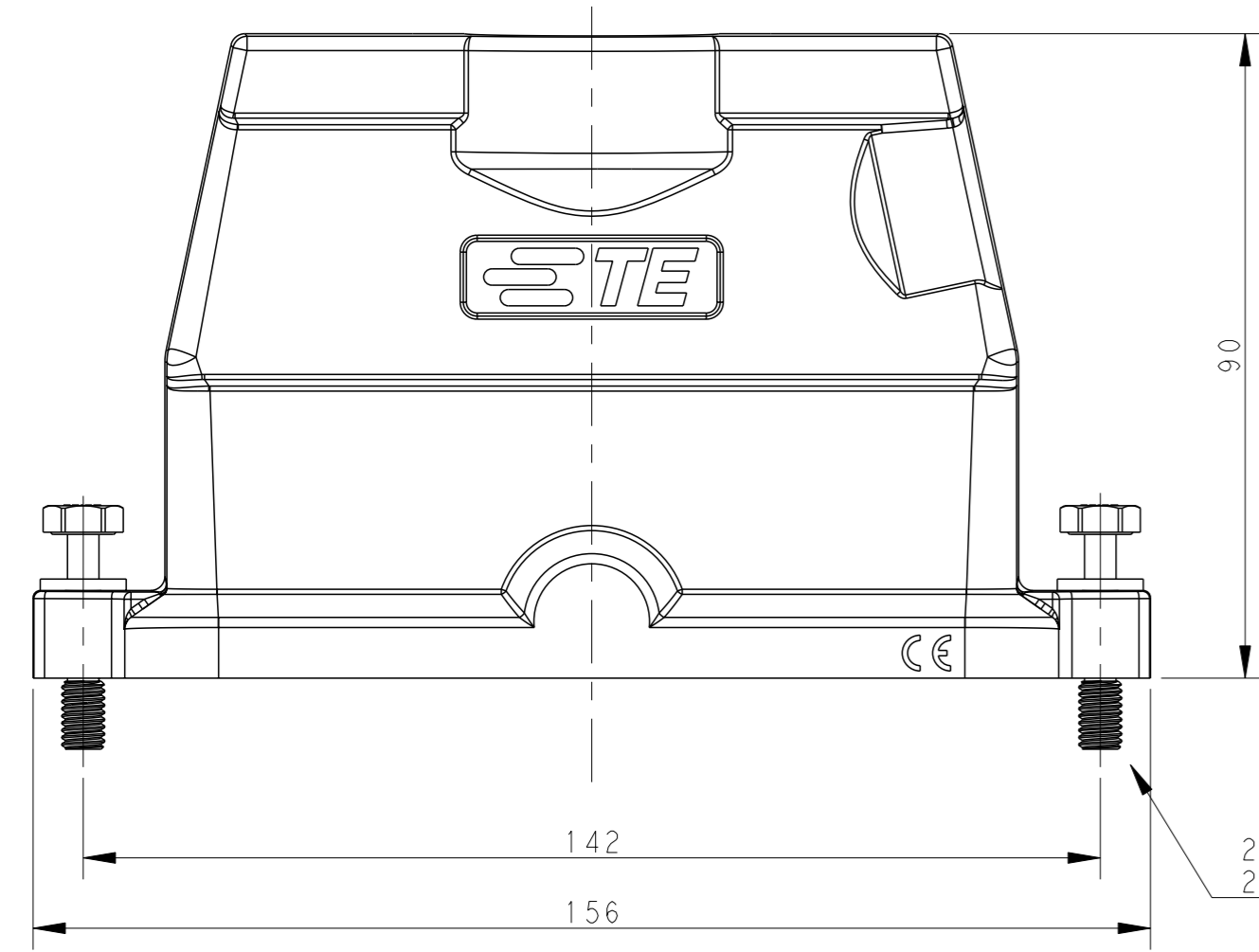


# TYPE 1 类型 1

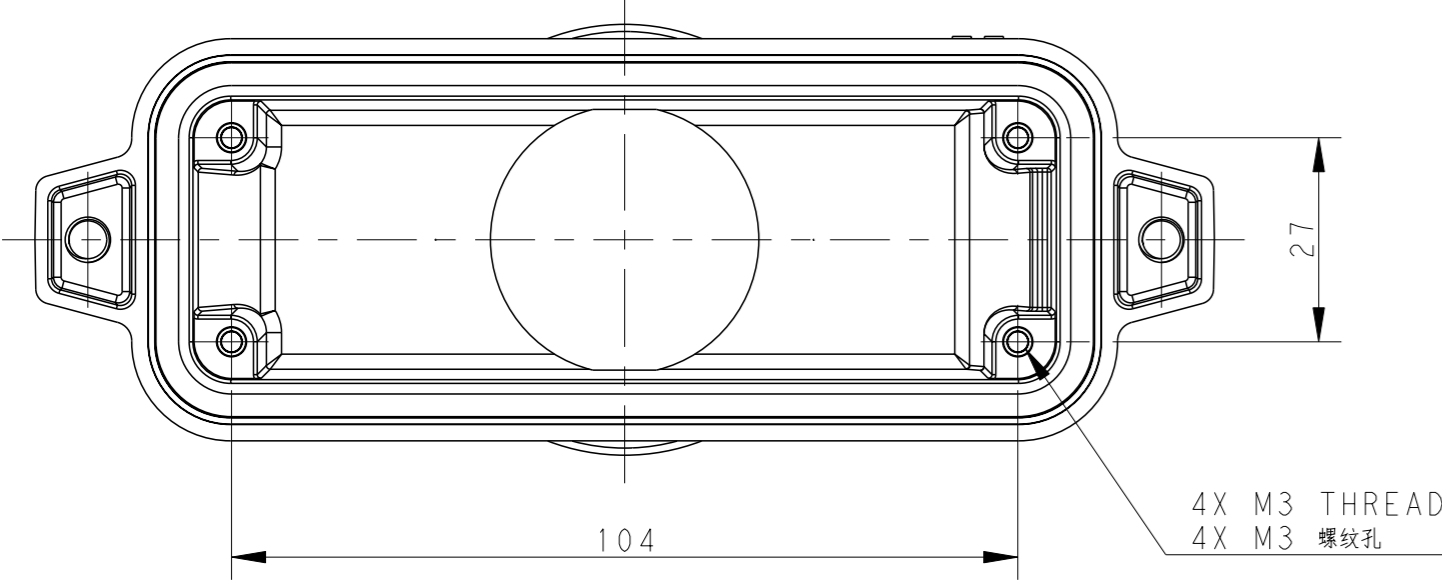
Single PG/M thread  
单个 PG/M 螺纹孔



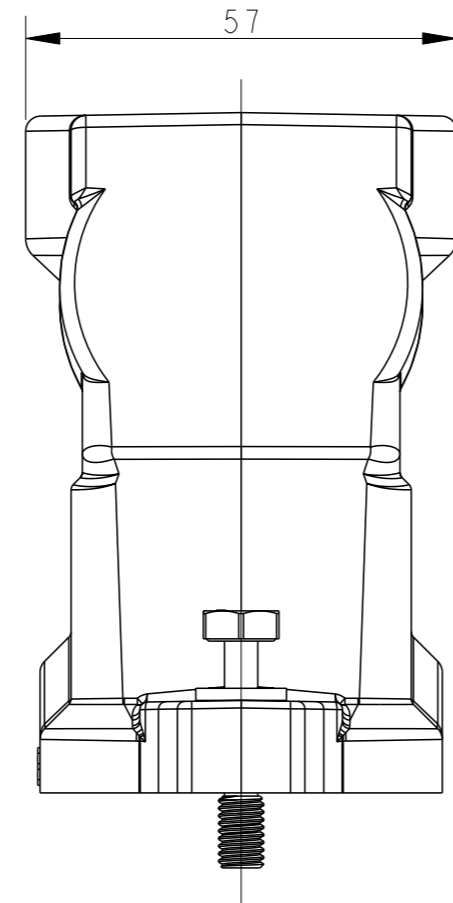
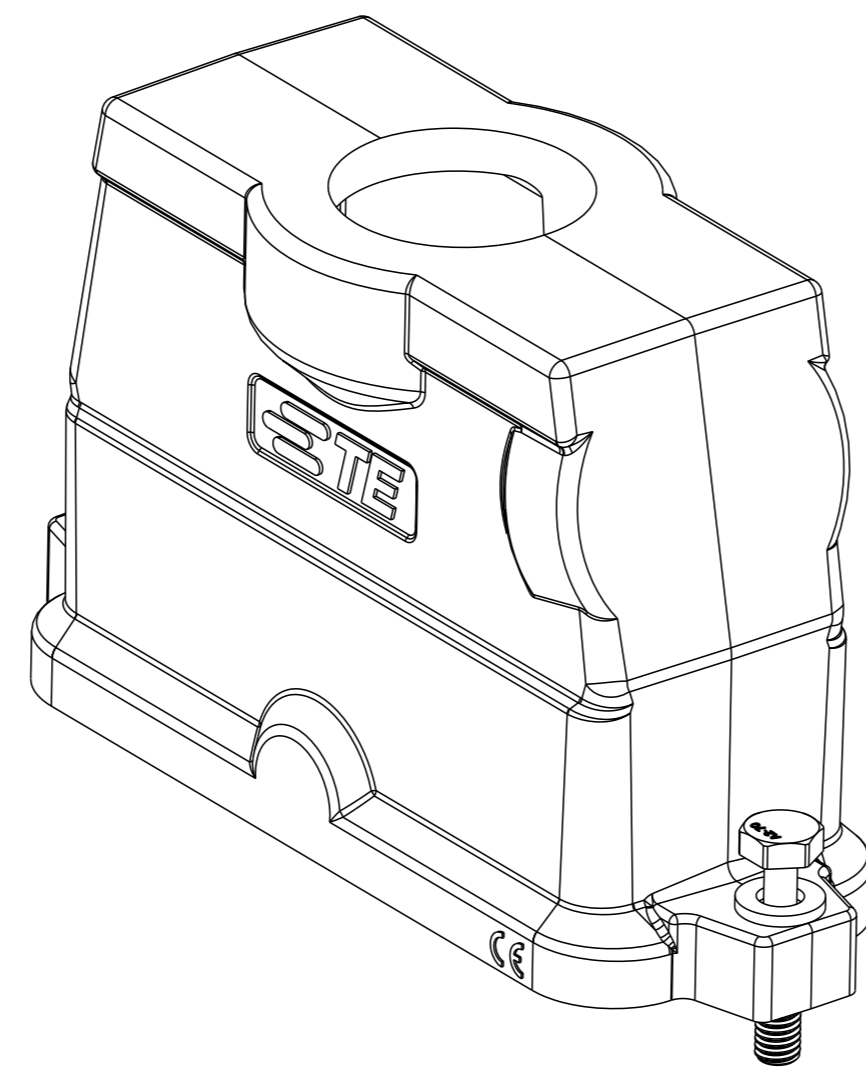
PG/M THREAD-1  
PG/M 螺纹1



2X M6 SCREW  
2X M6 螺丝



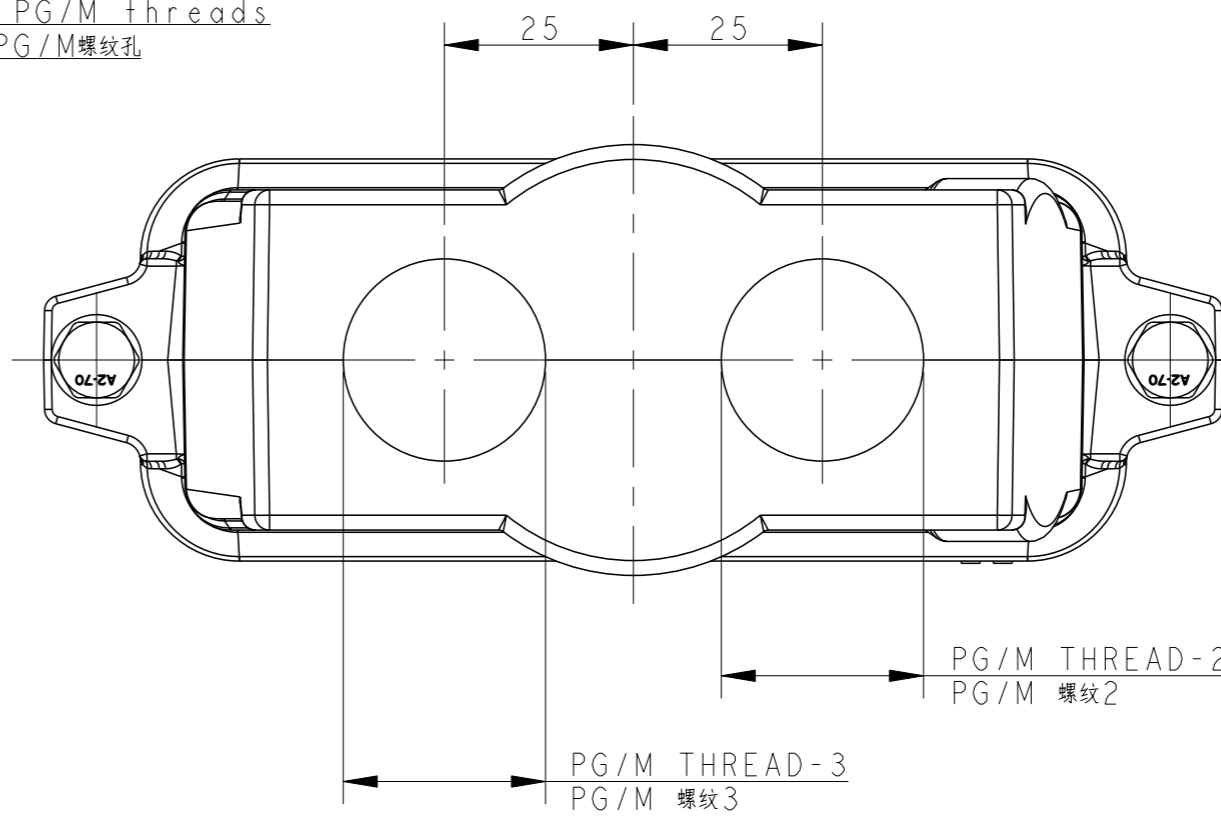
4X M3 THREAD  
4X M3 螺纹孔



57

# TYPE 2 类型 2

Two PG/M threads  
两个 PG/M 螺纹孔



25 25

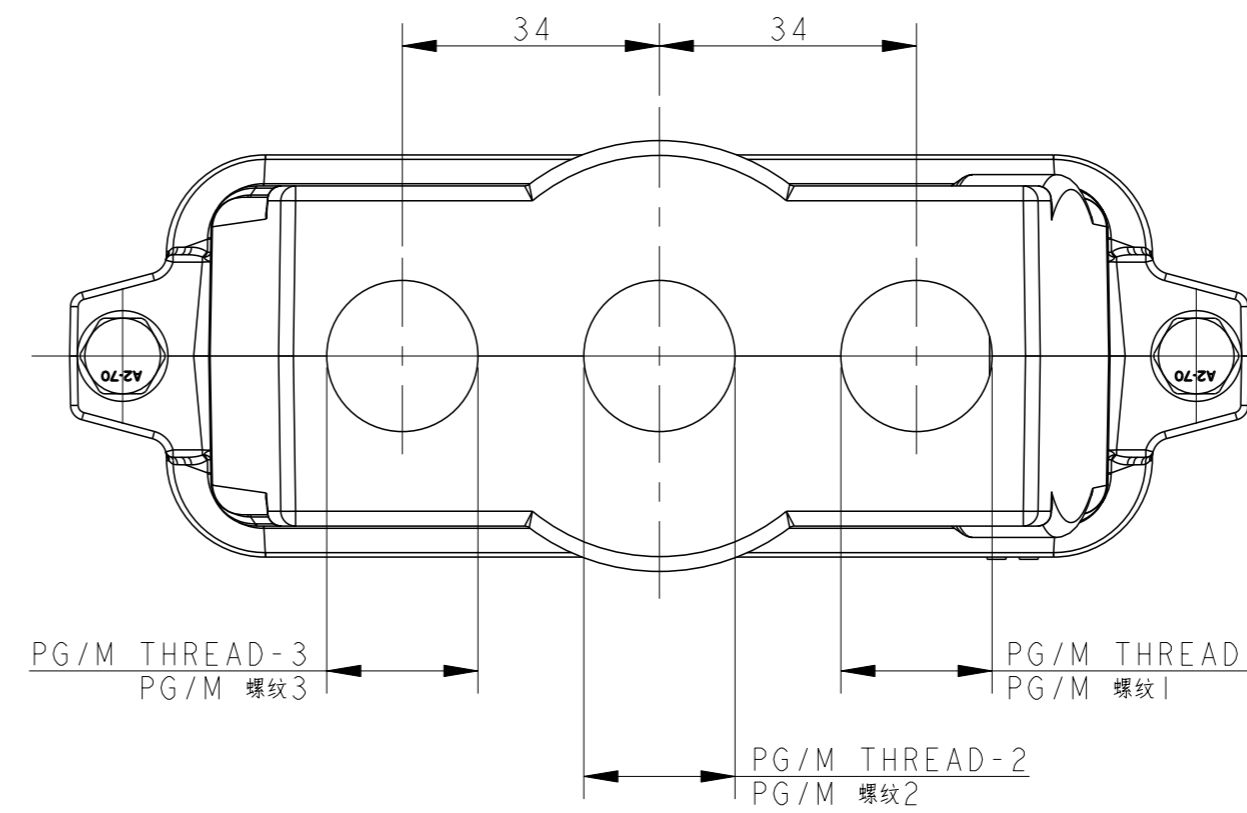
PG/M THREAD-2  
PG/M 螺纹2

PG/M THREAD-3  
PG/M 螺纹3

All dimension is same as TYPE 1, except those defined in this TYPE  
除了在本类型中定义的尺寸外, 其他尺寸同类型 1

# TYPE 3 类型 3

Three PG/M threads  
三个 PG/M 螺纹孔



34 34

PG/M THREAD-3  
PG/M 螺纹3

PG/M THREAD-1  
PG/M 螺纹1

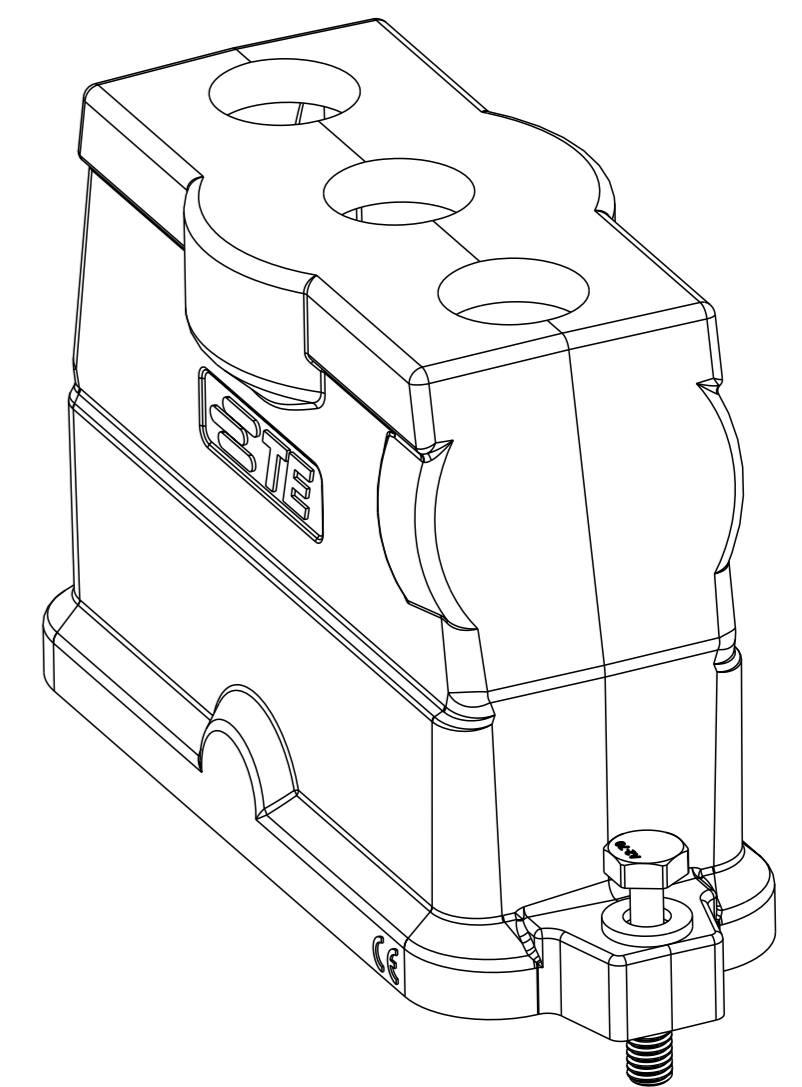
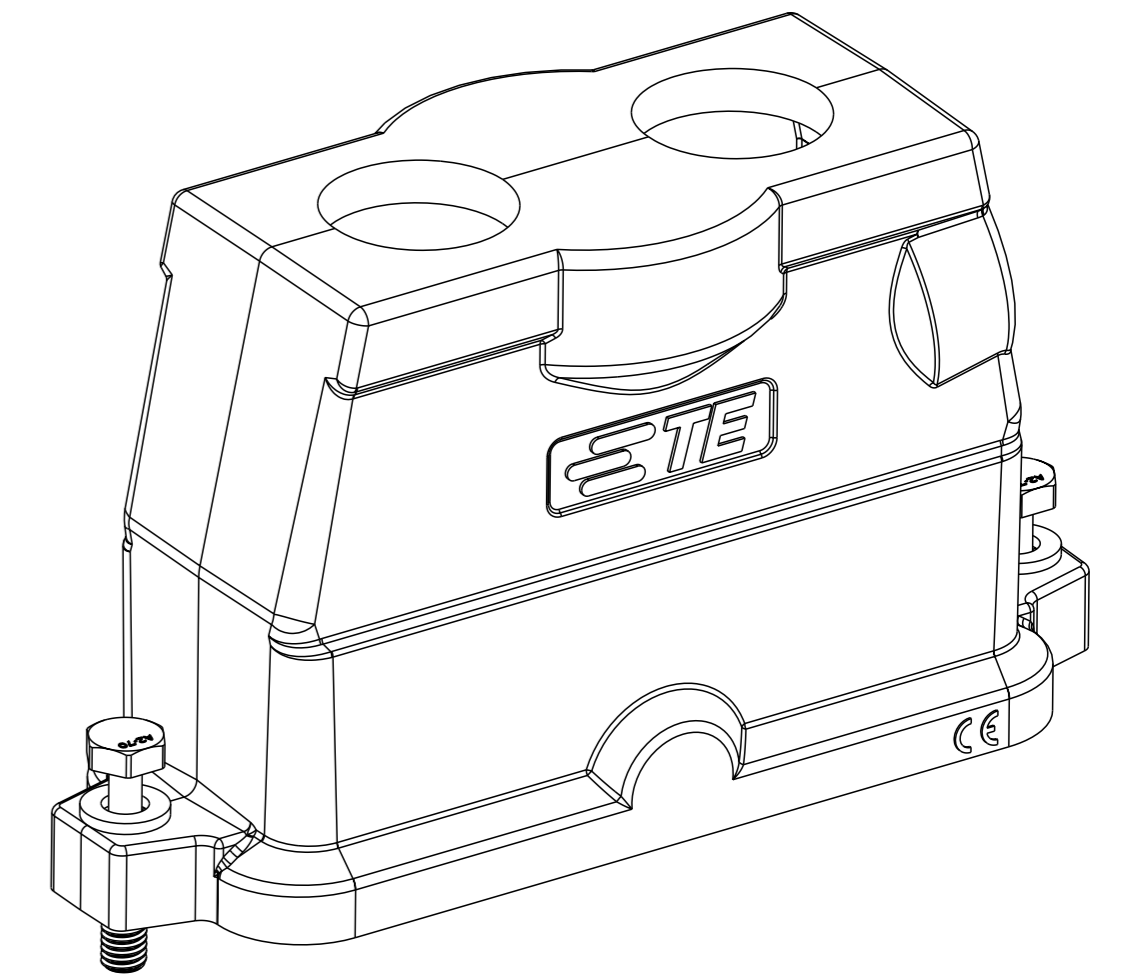
PG/M THREAD-2  
PG/M 螺纹2

All dimension is same as TYPE 1, except those defined in this TYPE  
除了在本类型中定义的尺寸外, 其他尺寸同类型 1

REVISIONS				
#	LY#	DESCRIPTION	DATE	APVD
A		INITIAL RELEASE	07JUN2016	DW CW
A1		ECR-17-018159	13DEC2017	RL CW
A2		ECR-18-012258	01AUG2018	DW CW
B		ECR-20-016312	03JUN2021	BS CW

NOTES:  
1. TECHNICAL CHARACTERISTICS:  
HOOD MATERIAL: DIE CAST ALUMINIUM ALLOY  
SURFACE TREATMENT: SEE TABLE  
DEGREE OF PROTECTION: IP68 (MATED)

注释:  
1. 技术参数:  
壳体材料: 铝合金  
表面处理: 见表格  
防护等级: IP68 (配合)




THIS DRAWING IS A CONTROLLED DOCUMENT.		OWN: DAVID WANG 07JUN2016	TE Connectivity NAME: H24BPR-TGHC-PG/M-EMC-C
DIMENSIONS: mm		CHK: CHRIS WANG 07JUN2016	
TOLERANCES UNLESS OTHERWISE SPECIFIED:		APVD: XIANG XU 07JUN2016	SIZE: A1
0 PLC ±	1 PLC ±	PRODUCT SPEC	CAGE CODE: -
2 PLC ±	3 PLC ±	APPLICATION SPEC	DRAWING NO: C-T192224XXXXX09
4 PLC ±	ANGLES FINISH ±	WEIGHT: -	RESTRICTED TO: -
MATERIAL: -	FINISH: -	CUSTOMER DRAWING	SCALE: 1:1
		SHEET 1 OF 2	REV B

REVISIONS				
#	LY#	DESCRIPTION	DATE	OWN APVD
-	-	SEE SHEET 1	-	-

NOTES:  
SEE SHEET 1

PART NUMBER	DESCRIPTION	PG/M THREAD-3	PG/M THREAD-2	PG/M THREAD-1	TYPE
T1922240320-009	H24BPR-TGHC-3M20-EMC-C H24BPR HOOD,CENTER LOCKING, TOP ENTRY 3M20, BLACK H24BPR上壳, 中部锁定, 顶出3M20, 黑色	M20	M20	M20	TYPE 3 类型3
T1922241221-009	H24BPR-TGHC-2PG21-EMC-C H24BPR HOOD,CENTER LOCKING, TOP ENTRY 2PG21, SILVER WHITE H24BPR上壳, 中部锁定, 顶出2PG21, 银白色	PG21	PG21	-	TYPE 2 类型2
T1922242150-009	H24BPR-TGHC- M50-EMC-C H24BPR HOOD,CENTER LOCKING, TOP ENTRY M50, GREY H24BPR上壳, 中部锁定, 顶出M50, 灰色	-	-	M50	TYPE 1 类型1
T1922241140-009	H24BPR-TGHC-M40-EMC-C H24BPR HOOD,CENTER LOCKING, TOP ENTRY M40, SILVER WHITE H24BPR上壳, 中部锁定, 顶出M40, 银白色	-	-	M40	
T1922241136-009	H24BPR-TGHC-PG36-EMC-C H24BPR HOOD,CENTER LOCKING, TOP ENTRY PG36, SILVER WHITE H24BPR上壳, 中部锁定, 顶出PG36, 银白色	-	-	PG36	
T1922241132-009	H24BPR-TGHC-M32-EMC-C H24BPR HOOD,CENTER LOCKING, TOP ENTRY M32, SILVER WHITE H24BPR上壳, 中部锁定, 顶出M32, 银白色	-	-	M32	
T1922241129-009	H24BPR-TGHC-PG29-EMC-C H24BPR HOOD,CENTER LOCKING, TOP ENTRY PG29, SILVER WHITE H24BPR上壳, 中部锁定, 顶出PG29, 银白色	-	-	PG29	
T1922241125-009	H24BPR-TGHC-M25-EMC-C H24BPR HOOD,CENTER LOCKING, TOP ENTRY M25, SILVER WHITE H24BPR上壳, 中部锁定, 顶出M25, 银白色	-	-	M25	
T1922241121-009	H24BPR-TGHC-PG21-EMC-C H24BPR HOOD,CENTER LOCKING, TOP ENTRY PG21, SILVER WHITE H24BPR上壳, 中部锁定, 顶出PG21, 银白色	-	-	PG21	
T1922240140-009	H24BPR-TGHC-M40-EMC-C H24BPR HOOD,CENTER LOCKING, TOP ENTRY M40, BLACK H24BPR上壳, 中部锁定, 顶出M40, 黑色	-	-	M40	
T1922240136-009	H24BPR-TGHC-PG36-EMC-C H24BPR HOOD,CENTER LOCKING, TOP ENTRY PG36, BLACK H24BPR上壳, 中部锁定, 顶出PG36, 黑色	-	-	PG36	
T1922240132-009	H24BPR-TGHC-M32-EMC-C H24BPR HOOD,CENTER LOCKING, TOP ENTRY M32, BLACK H24BPR上壳, 中部锁定, 顶出PG32, 黑色	-	-	M32	
T1922240129-009	H24BPR-TGHC-PG29-EMC-C H24BPR HOOD,CENTER LOCKING, TOP ENTRY PG29, BLACK H24BPR上壳, 中部锁定, 顶出PG29, 黑色	-	-	PG29	
T1922240125-009	H24BPR-TGHC-M25-EMC-C H24BPR HOOD,CENTER LOCKING, TOP ENTRY M25, BLACK H24BPR上壳, 中部锁定, 顶出M25, 黑色	-	-	M25	
T1922240121-009	H24BPR-TGHC-PG21-EMC-C H24BPR HOOD,CENTER LOCKING, TOP ENTRY PG21, BLACK H24BPR上壳, 中部锁定, 顶出PG21, 黑色	-	-	PG21	

THIS DRAWING IS A CONTROLLED DOCUMENT. DIMENSIONS: mm		TOLERANCES UNLESS OTHERWISE SPECIFIED: 0 PLC ±, 1 PLC ±, 2 PLC ±, 3 PLC ±, 4 PLC ±, ANGLES FINISH ±		OWN: DAVID WANG 07JUN2016, CHK: CHRIS WANG 07JUN2016, APVD: XIANG XU 07JUN2016		 TE Connectivity NAME: H24BPR-TGHC-PG/M-EMC-C	
MATERIAL: -		FINISH: -		WEIGHT: -		SIZE: A1, CAGE CODE: - DRAWING NO: T192224XXXXX09 RESTRICTED TO: -	
CUSTOMER DRAWING				SCALE: 1:1		SHEET 2 OF 2	

单击下面可查看定价，库存，交付和生命周期等信息

[>>TE Connectivity\(泰科\)](#)