

4

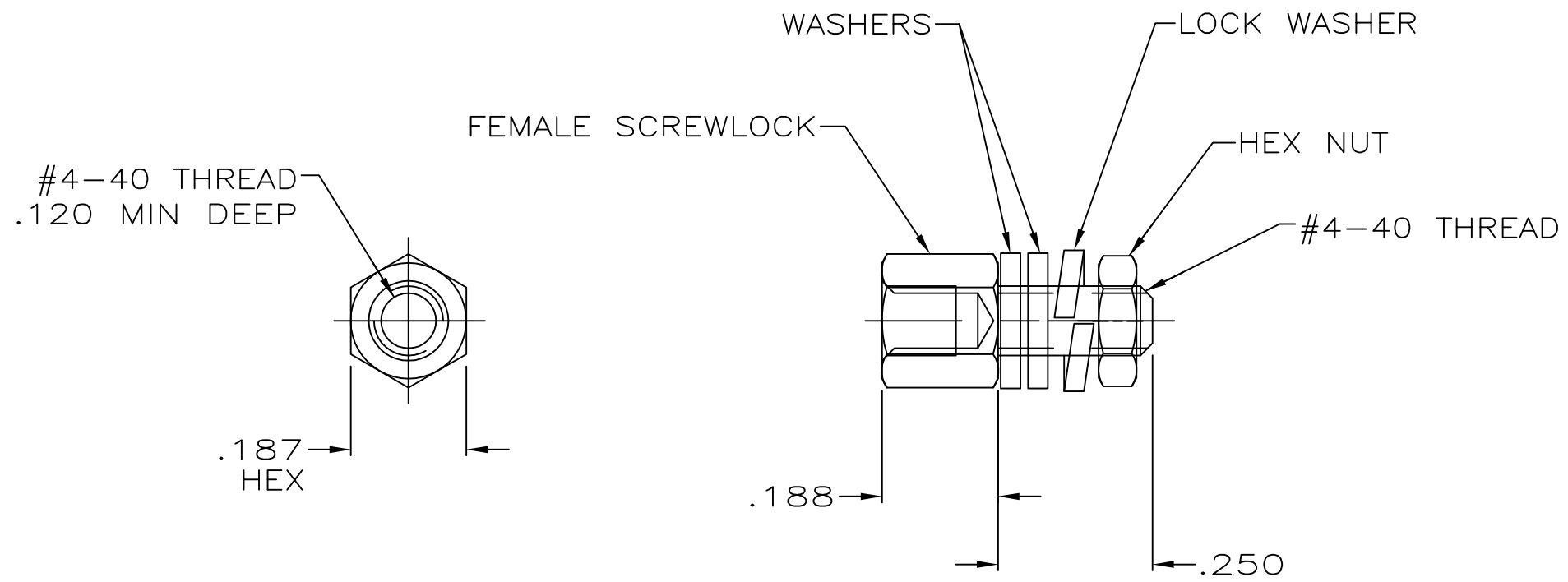
3

2

1

THIS DRAWING IS UNPUBLISHED. RELEASED FOR PUBLICATION -,- .  
 © COPYRIGHT - By - ALL RIGHTS RESERVED.

REVISIONS					
P	LTR	DESCRIPTION	DATE	DWN	APVD
	R	REVISED PER ECO-17-005756	06NOV2017	AP	DG



① ZINC PLATED .000200-.000400 THICK, YELLOW CHROMATE COATING.

② ZINC PLATED .000200-.000400 THICK, CLEAR CHROMATE COATING.

3. PARTS PACKAGED UNASSEMBLED.

④ PARTS PACKAGED AS A UNIT KIT.

⑤ PARTS INDIVIDUALLY BULK PACKED & SHIPPED AS A UNIT PACKAGE.

1	1	2	1	④	①	5745563-5
2	2	4	2	⑤	②	5745563-4
2	2	4	2	④	②	5745563-3
2	2	4	2	④	①	5745563-1
HEX NUT QTY	LOCK WASHER QTY	WASHER QTY	FEMALE SCREWLOCK QTY	PACKAGING	FINISH	PART NUMBER

THIS DRAWING IS A CONTROLLED DOCUMENT.

DIMENSIONS: INCHES		TOLERANCES UNLESS OTHERWISE SPECIFIED:	
		0 PLC	± -
		1 PLC	± -
		2 PLC	± -
		3 PLC	± .005
		4 PLC ANGLES	± -
MATERIAL	STEEL	FINISH	SEE TABLE

DWN	S.WAITMAN	30JUN05
CHK	C.ROHDE	30JUN05
APVD	M.WALMSLEY	30JUN05
PRODUCT SPEC	-	
APPLICATION SPEC	-	
WEIGHT	0.000000	
CUSTOMER DRAWING		

TE Connectivity			
NAME KIT, SCREWLOCK, FEMALE, PLASTIC OR METAL SERIES, SHORT, AMPLIMITE HDE			
SIZE	CAGE CODE	DRAWING NO	RESTRICTED TO
A3	00779	5745563	-
SCALE		SHEET	REV
4:1		1 of 1	R

单击下面可查看定价，库存，交付和生命周期等信息

[>>TE Connectivity\(泰科\)](#)

[>>点击查看相关商品](#)