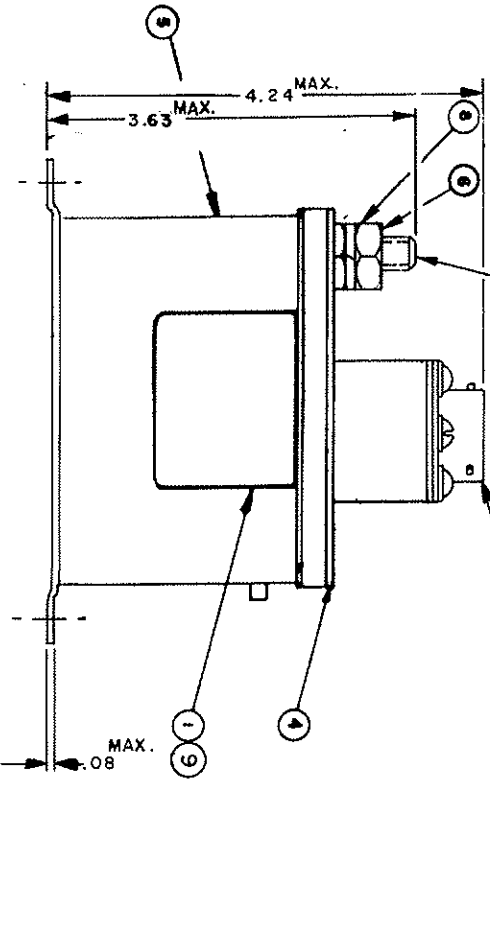
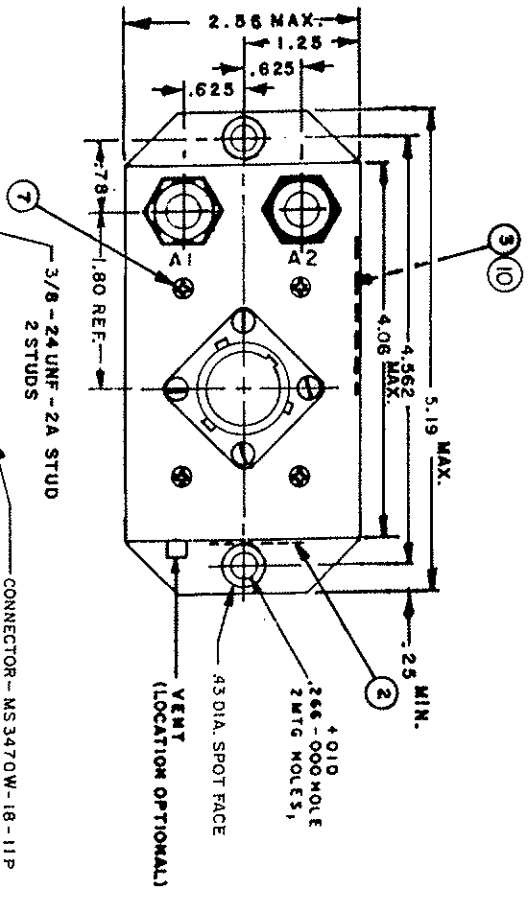
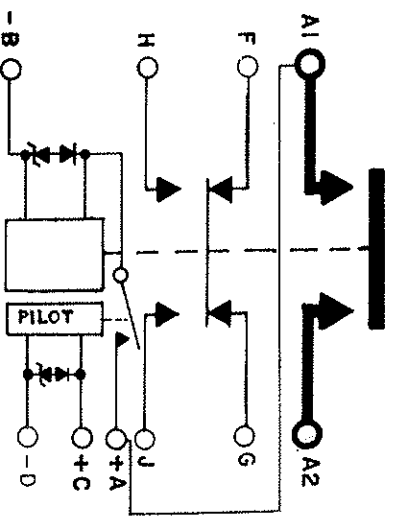


REVISEMENTS		DWG NO. A-703AK	MAY
REV	DESCRIPTION	DATE	APPROVED
A	ADDED ITEMS 9, 8, 10	10-14-91	



CONFIGURATION CONTROLLED



NOTES: 1. THIS UNIT MEETS THE MATERIALS & WORKMANSHIP REQUIREMENTS OF MIL - R - 6106  
 2. REMOVE FINISH FROM MTG. SURFACE

ITEM NO	QTY	PART OR IDENTIFYING NO	NOMENCLATURE OR DESCRIPTION	FSCM NO	DRAWING OR SPECIFICATION	MATERIAL OR NOTE
10	1	39529-038	OVERLAY			
9	1	39529-001	OVERLAY			
8	2	51807-084	WASHER-LOCK, 3/8x.686x.094 SP	MS35336-103		BRONZE
7	4	51200-020	SCREW-NO.4x1/4 SHEET METAL	MS24626-9		STAINLESS STEEL
6	2	50407-164	NUT, 3/8-24x5/8x7/32 HEX	MS35650-3385		BRASS
5	1	32687-100	CONTACTOR ASSEMBLY-PRI.			
4	1	32232-002	PLATE - BASE COVER			
3	1	42279-001	PLATE - WIRING DIAGRAM			
2	1	25695-001	PLATE - WARNING			
1	1	16045-001	PLATE - NAME			

REF.	MDC	500046-1
DR BY	H.A.S.	5-10-91
CHECKED	CS	5-10-91
ENGINEER	DCS	5-10-91
MFG.		
RELEASE		
CONTR NO		
GOVT APPVL		

SIZE	FSCM NO	DWG NO
C	74063	A-703AK
SCALE: NONE		

HARTMAN ELECTRICAL MANUFACTURING		MATERIAL OR NOTE
MANSFIELD, OHIO		
CONTACTOR		
400 AMP, 28 VOLTS		

UNLESS OTHERWISE SPECIFIED DIMENSIONS ARE IN INCHES  
 2 PL. DEC. 1/3 PL. DEC. 1/4 ANGLES  
 F. 06 F. 010 F. 1°

REV. NO.	DESCRIPTION	DATE	APPROVED
1	SEE SHEET ONE		

CONSTRUCTION  
MAIN CONTACTS  
VOLTAGE (NOMINAL)  
CURRENT:

SPST N.O.  
28 VDC  
400 AMP  
1000 AMP FOR 30 SEC.  
1500 AMP INRUSH

AUXILIARY CONTACTS  
CONFIGURATION  
VOLTAGE  
CURRENT RES.  
SURGE

PILOT RELAY  
CONTACT CONFIGURATION  
VOLTAGE NOMINAL  
CURRENT  
COIL DUTY  
COIL CURRENT AT 31V  
PICKUP  
DROPOUT  
TRANSIENT SUPPRESSION

SPST  
28 VDC  
5 AMP  
CONTINUOUS  
.15 AMP MAX.  
18V. MAX.  
7V. MAX.  
± 45 V

COIL DATA  
DUTY CYCLE  
NOMINAL VOLTAGE  
PICKUP MAX.  
PULL THROUGH

NOTE:  
DIODES ARE JANTX GLASS CASE 1000 PIV  
ZENERS ARE JANTX GLASS CASE

DROPOUT VOLTAGE  
RESISTANCE  
TRANSIENT SUPPRESSION  
OPERATE TIMES  
PICKUP  
DROPOUT

CONTACT BOUNCE  
ENVIRONMENTAL DATA  
AMBIENT TEMP.  
LIFE ELECTRICAL  
LIFE MECHANICAL  
WEIGHT MAX.

INTERMITTENT  
16-31 VDC  
10 VDC  
6 VDC MAX. AT 77°F  
7+0  
7-6  
14 OHM ± 20% AT 77°F  
± 45 V MAX.  
35 MS MAX. AT 28 VDC  
35 MS MAX. AT 28 VDC  
.004 SEC. MAX. MAKE  
.003 SEC. MAX. BREAK NO. ONLY  
-67°F TO +160°F  
15,000 CYCLES MIN.  
100,000 CYCLES  
2 LBS. 3 OZ.

CONFIGURATION CONTROLLED

UNLESS OTHERWISE SPECIFIED DIMENSIONS ARE IN INCHES TOLERANCES ON		REF.		HARTMAN ELECTRICAL MANUFACTURING MANFIELD, OHIO	
±	2 PL DEC.	±	3 PL DEC.	5D0046-1	MDC
±		±		DR BY	H.A.S. 15-10-91
				CHECKED	W.S. 5-16-91
				ENGINEER	W.S. 5-16-91
				MFG.	
				RELEASE	
				CONTR. NO.	
				GOVT APPLV.	
DASH NO	NEXT ASSY	USED ON	SCALE	SIZE	F SGM NO.
			C	C	74063
					DWG NO.
					A-703AK
					400 AMP 28 VOLTS
					SHEET 2 OF 2

单击下面可查看定价，库存，交付和生命周期等信息

[>>TE Connectivity\(泰科\)](#)