

CUSTOMER DRAWING

CATALOG # 180BCF10R

ECN#	APPRVD	DATE
15-015324	HS	21AUG15

SAFETY ORGANIZATIONS

THIS FILTER HAS BEEN FORMALLY RECOGNIZED, CERTIFIED OR APPROVED BY THE LISTED AGENCY. THEREFORE, ALL TEST/REQUIREMENTS SPECIFIED IN THE LATEST REVISION OF THE FOLLOWING AGENCY STANDARDS HAVE BEEN MET:

- UL RECOGNIZED: UL 1283
- CSA CERTIFIED: CSA C22.2 No. 8
- VDE APPROVED: EN 60939-2

OPERATING SPECIFICATIONS

LINE CURRENT/VOLTAGE: 180 AMP 277 VAC LINE TO GROUND AND 480VAC PHASE TO PHASE

LINE FREQUENCY: 50-60HZ

MAXIMUM LEAKAGE CURRENT, EACH LINE TO GROUND: 82 mA @ 277VAC 50 HZ

OPERATING AMBIENT TEMP. RANGE: -10°C TO +50°C @ RATED CURRENT, I_r.

IN AN AMBIENT, T₀, HIGHER THAN 50°C, THE MAXIMUM OPERATING CURRENT, I₀, IS AS FOLLOWS:

$$I_0 = I_r \sqrt{\frac{100 - T_0}{50}}$$

RELIABILITY SPECIFICATIONS:

STORAGE TEMPERATURE: -40°C TO +85°C
 HUMIDITY: 21 DAYS @ 50°C 95% RH.
 CURRENT OVERLOAD TEST: 6 TIMES I_r FOR 8 SECONDS

TEST SPECIFICATIONS:

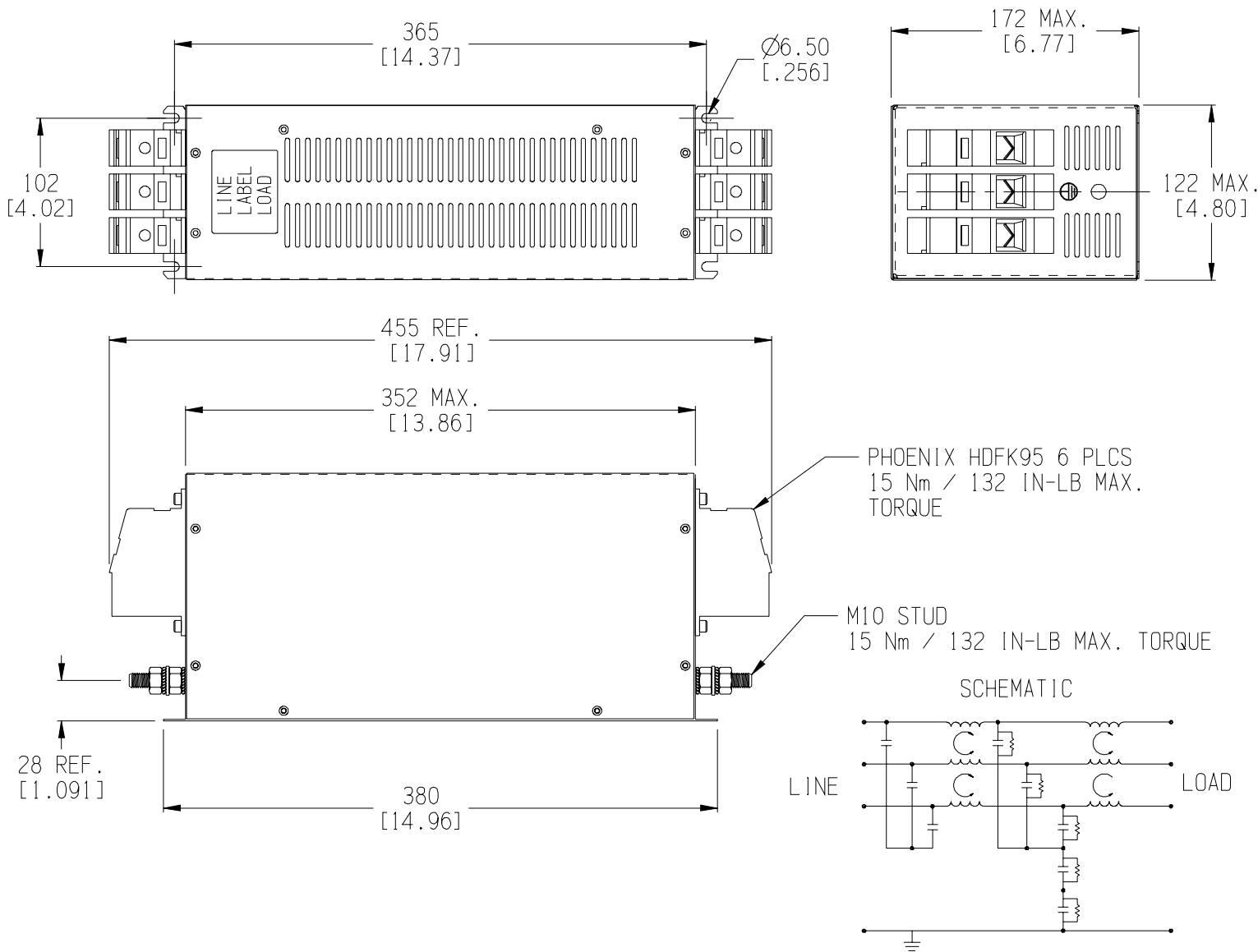
INDUCTANCE: .34 mH NOMINAL
 CAPACITANCE: (MEASURED @ 1KHZ, 0.250VAC MAX., 25°C±1°C)
 LINE TO GROUND: 0.94 μF±20%
 LINE TO LINE: 6.6 μF±20%
 DISCHARGE RESISTOR: 2x1.5 / .66 MΩ L/G AND L/L I.R.
 NO DISCHARGE RESISTOR: 6000MΩ (MIN.) 100VDC, 20°C AND 50% RH@

RECOMMENDED RECEIVING INSPECTION HIPOT:

LINE TO GROUND: 1850 VDC FOR 1 MINUTE
 LINE TO LINE: 1850 VDC FOR 1 MINUTE

FILTER APPROVAL:

THE BEST WAY TO SELECT AND QUALIFY A FILTER IS FOR YOUR ENGINEERING TO TEST THE UNIT IN YOUR EQUIPMENT.



50Ω - 50Ω (TYPICAL) INSERTION LOSS	
FREQUENCY MHz	COMMON dB
.01	6
.03	22
.05	31
.10	43
.15	52
.30	72
.50	80
1.0	63
3.0	45
5.0	37
10	26
30	9
DIFF. dB	
27	37
40	42
50	73
73	73
60	50
50	47
42	30

PARTS SHALL COMPLY WITH TYCO ELECTRONICS 138-702 SPECIFICATION FOR HAZARDOUS SUBSTANCES
 UNLESS OTHERWISE SPECIFIED TOLERANCE TO BE ±0.64 [±0.025]
 MATERIAL & FINISH: AS SUPPLIED DIMENSIONS IN MM [INCHES]

NOTES:

TE Connectivity

CUSTOMER DRAWING

TE PART NO.: 2-1609989-8

SCALE: NTS	DATE: 30OCT15	DRAWING NUMBER: 180BCF10R	REV: A
DRW. BY: HS	DRIG: HS		

单击下面可查看定价，库存，交付和生命周期等信息

[>>TE Connectivity\(泰科\)](#)