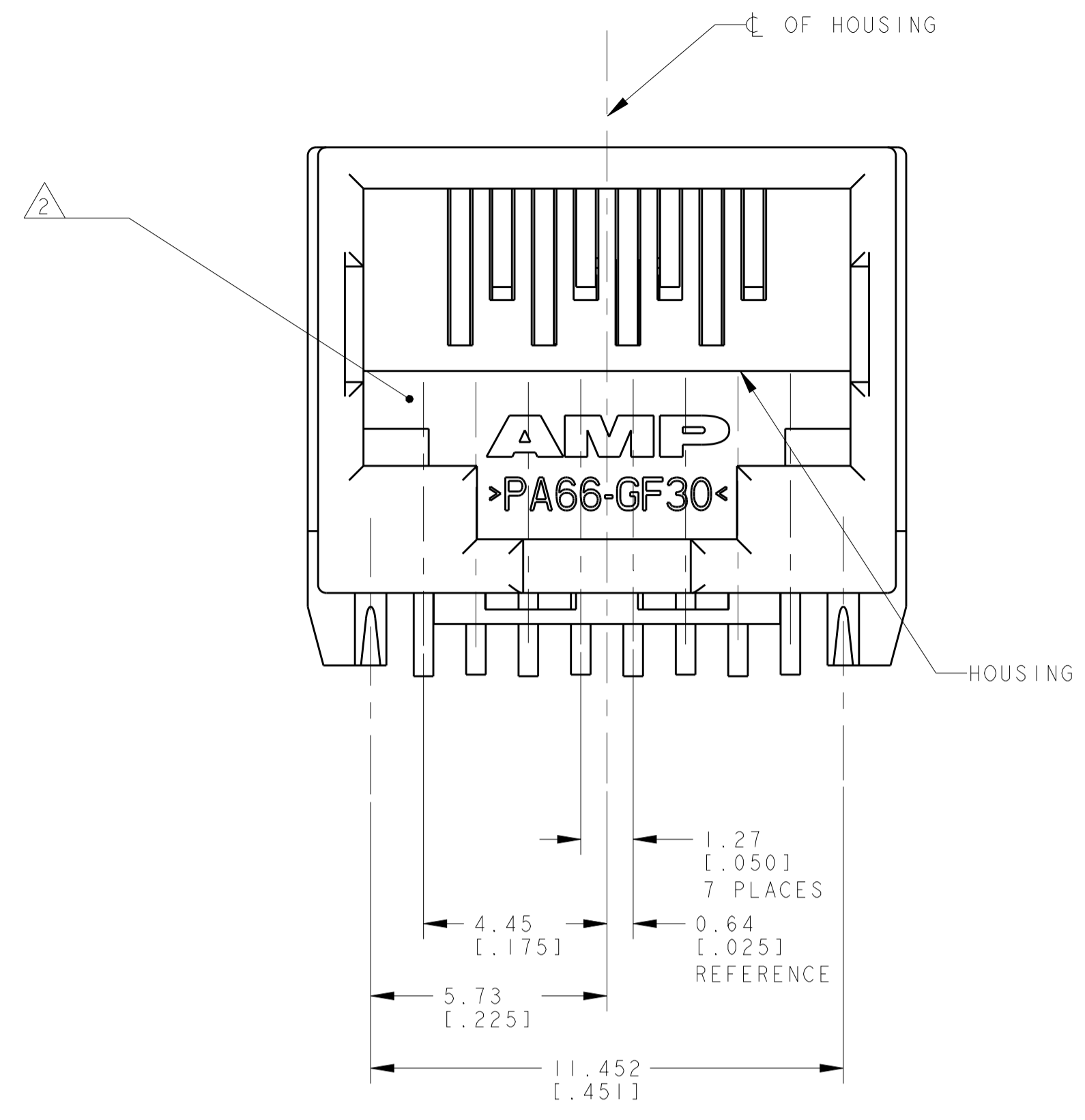
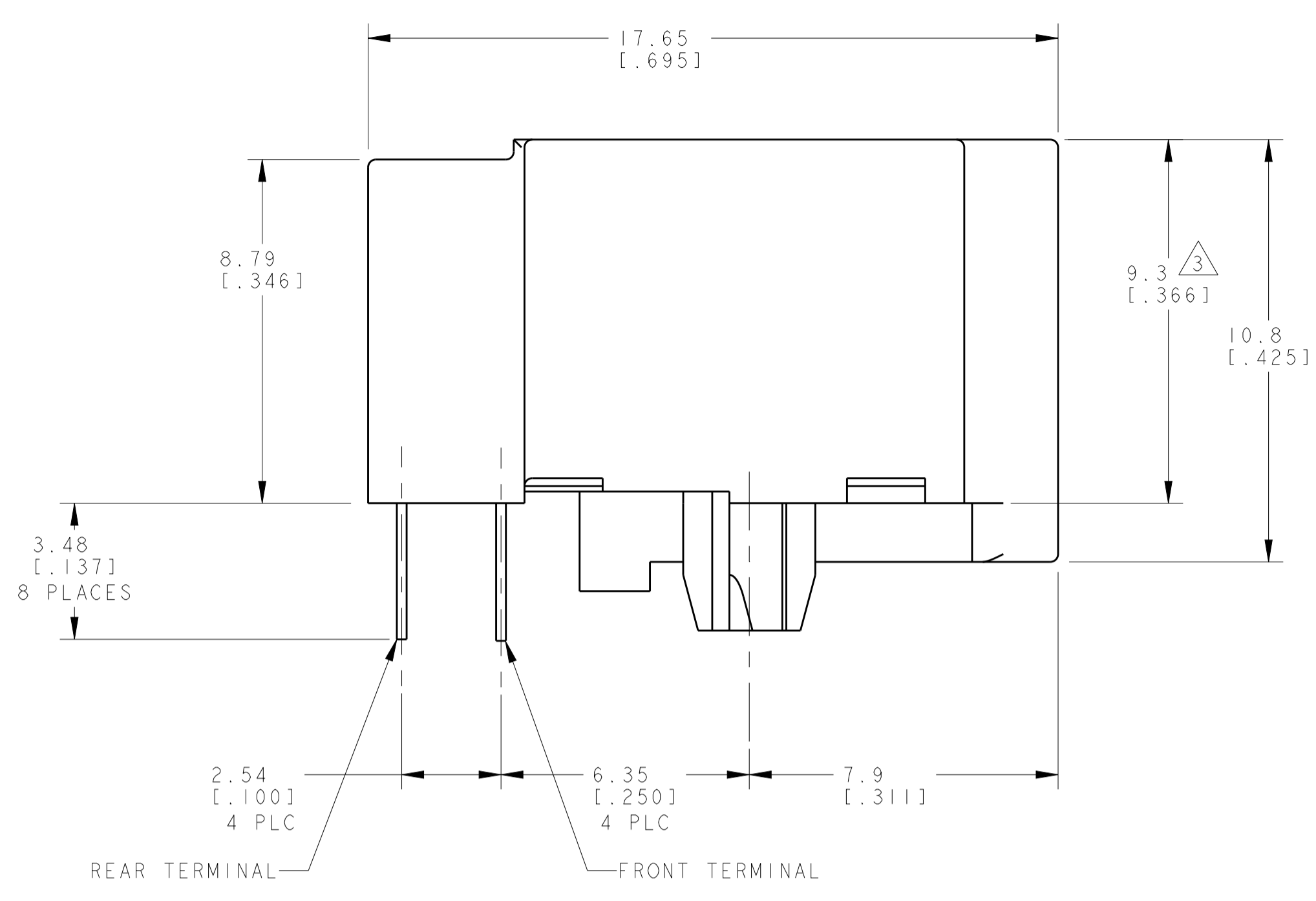
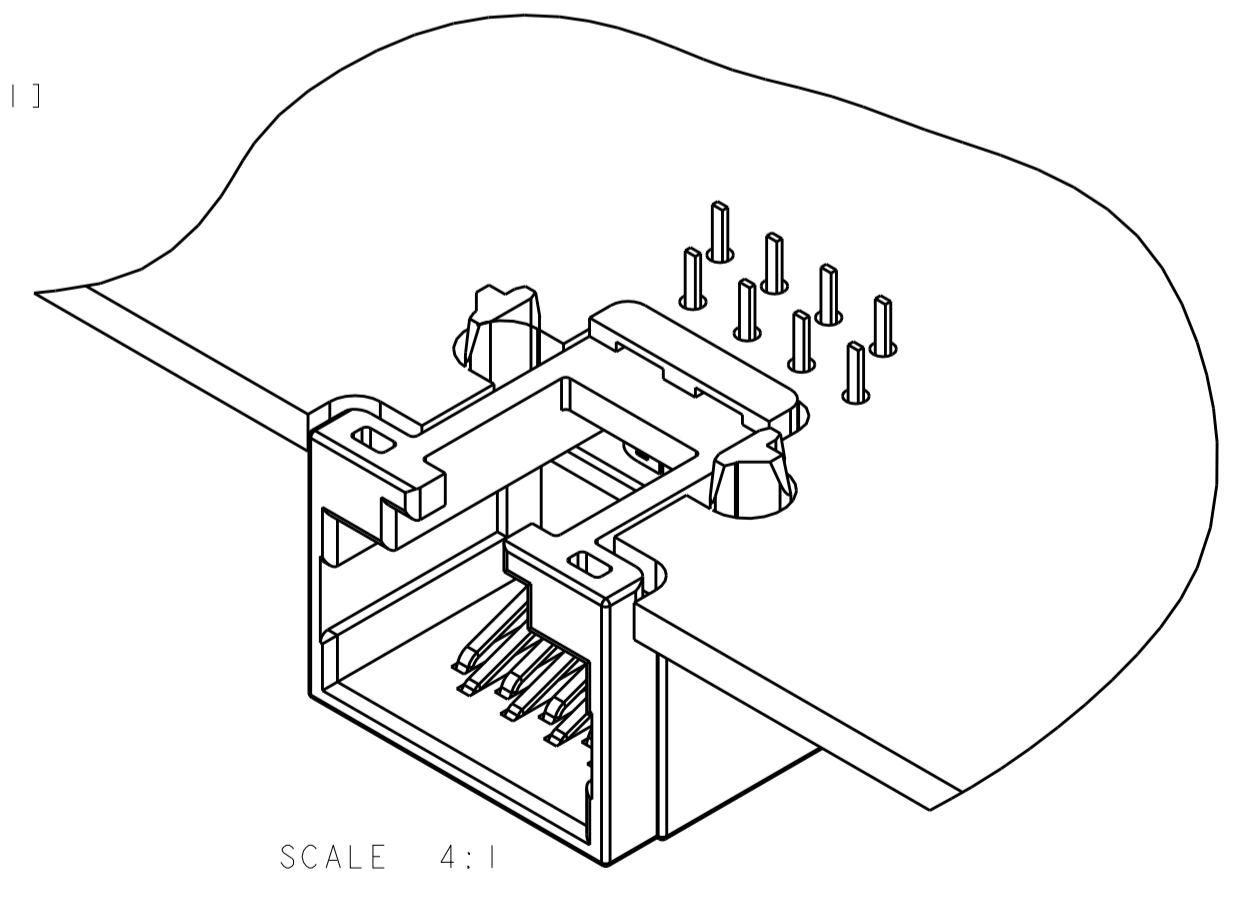
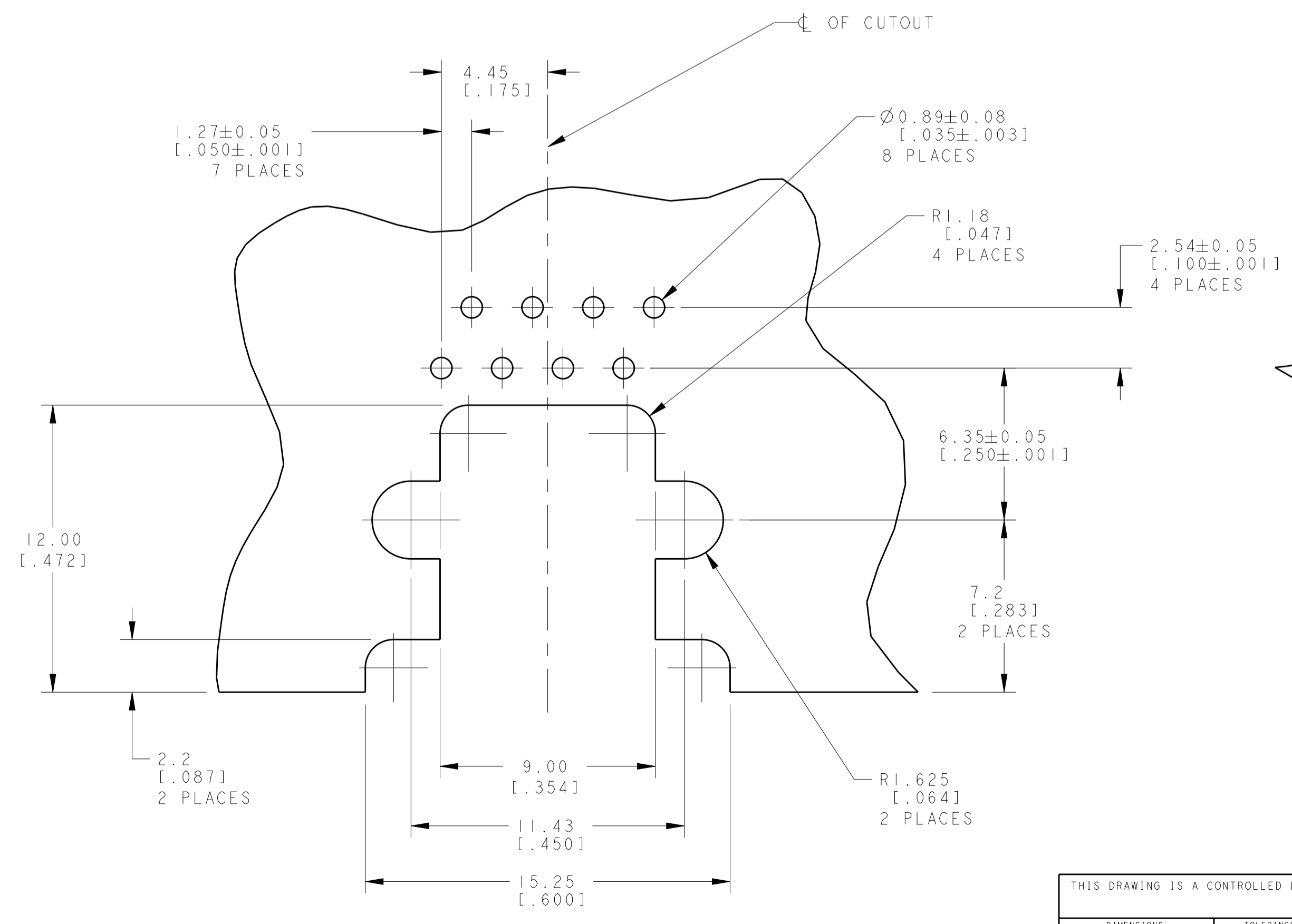
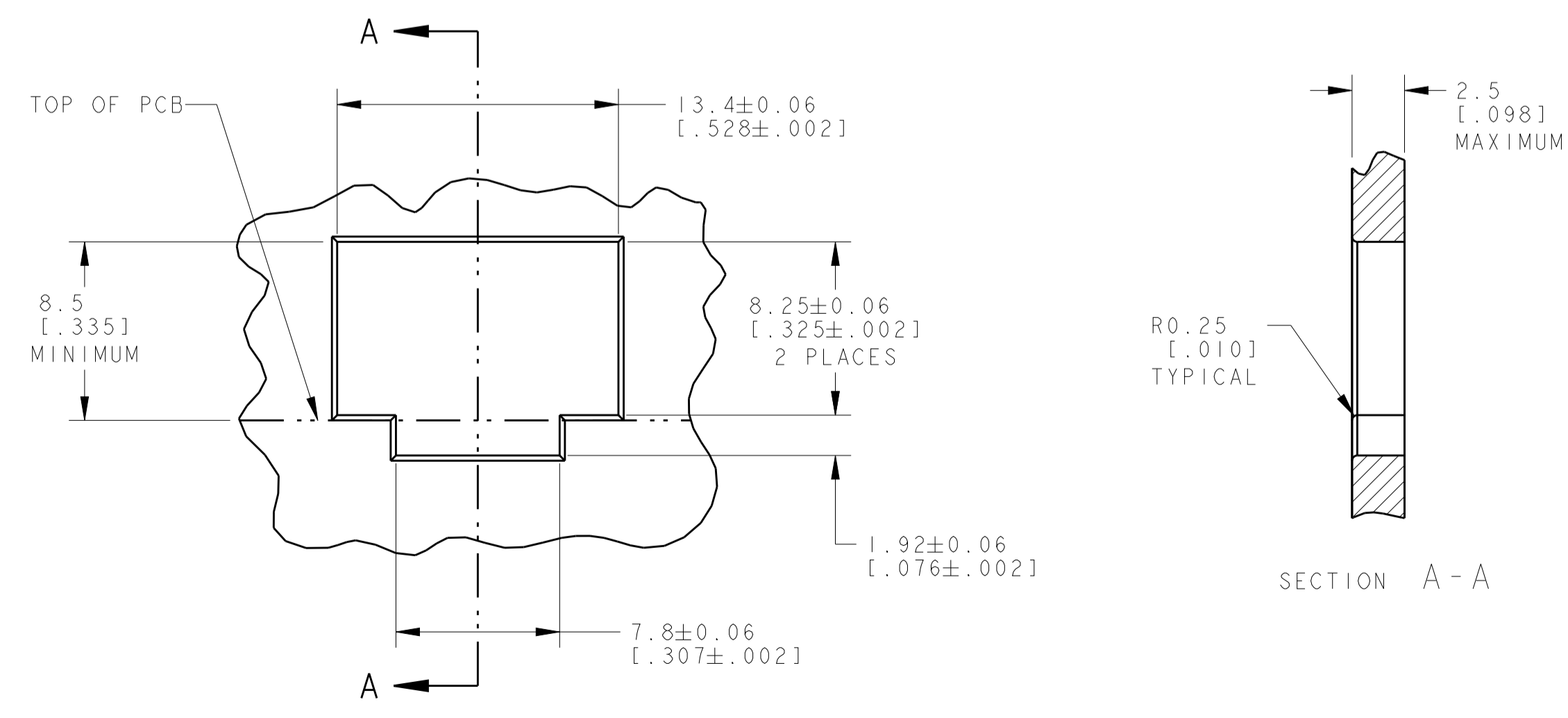
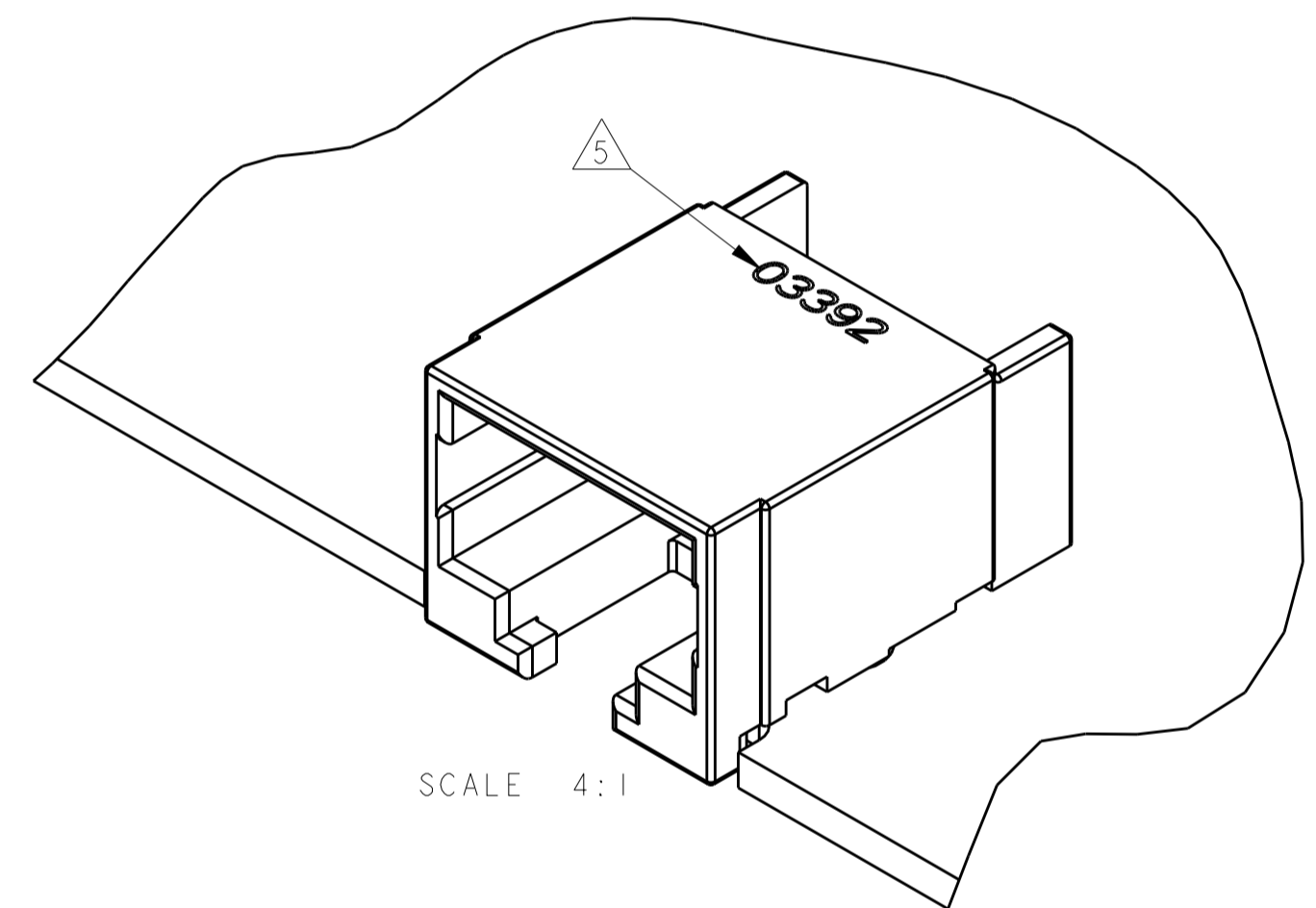
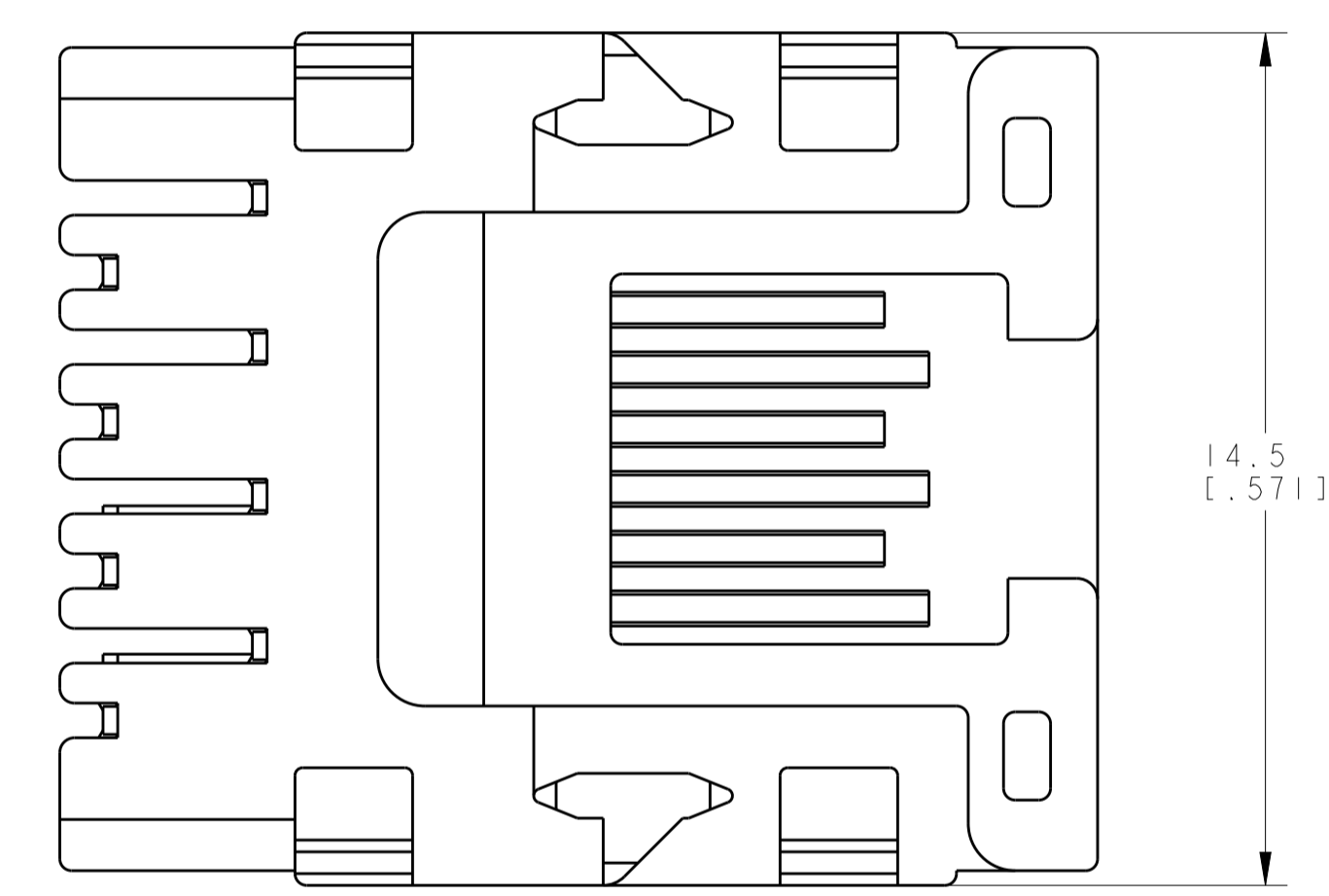


LOC	DIST	REVISIONS					
		P	LTN	DESCRIPTION	DATE	DWN	APVD
AA	22	K1		REVISED PER ECO-11-005027	18MAY2011	RK	HMR
		L		REVISED PER ECO-14-015233	27APR2015	LL	SH



- 1. MATERIAL: HOUSING - HIGH TEMPERATURE NYLON, BLACK, UL 94V-0, IR REFLOW SOLDERING PROCESS COMPATIBLE. TERMINALS - 0.25[.010] THICK PHOSPHOR BRONZE PLATED WITH 3.81µm[.000150] MINIMUM THICK BRIGHT TIN-LEAD IN SOLDER AREA, 1.27µm[.000050] MINIMUM GOLD IN LOCALIZED PLATE AREA. ENTIRE TERMINAL PLATED WITH 1.27µm[.000050] MINIMUM THICK NICKEL.
- 2. JACK CAVITY CONFORMS TO FCC RULES AND REGULATIONS PART 68, SUBPART F.
- 3. THIS DIMENSION REPRESENTS THE TOTAL HEIGHT OF THE CONNECTOR FROM THE TOP OF THE PC BOARD.
- 4. PACKAGED 66 ASSEMBLIES PER PVC TRAY, 396 PER BOX.
- 5. MANUFACTURING DATE CODE: ORIENTED AND LOCATED APPROXIMATELY AS SHOWN. LASER PRINTING. TEXT HEIGHT APPROXIMATELY 2MM. FIRST 2 DIGITS = LAST 2 DIGITS OF YEAR. NEXT 2 DIGITS = MANUFACTURING WORK WEEK. LAST DIGIT = DAY OF WEEK WITH SUNDAY = 1.
- 6. MATERIAL: HOUSING - HIGH TEMPERATURE NYLON, BLACK, UL 94V-0, IR REFLOW SOLDERING PROCESS COMPATIBLE. TERMINALS - 0.25[.010] THICK PHOSPHOR BRONZE PLATED WITH 3.81µm[.000150] MINIMUM THICK MATTE TIN IN SOLDER AREA, 1.27µm[.000050] MINIMUM GOLD IN LOCALIZED PLATE AREA. ENTIRE TERMINAL PLATED WITH 1.27µm[.000050] MINIMUM THICK NICKEL.



6	1116504-2
1	1116504-1
MATERIAL/ FINISH	PART NUMBER

THIS DRAWING IS A CONTROLLED DOCUMENT.		DWN	T. SPRINKLE	28JAN99
DIMENSIONS: mm [INCHES]		CHK	D. KEMPKA	28JAN99
TOLERANCES UNLESS OTHERWISE SPECIFIED:		APVD	D. KEMPKA	28JAN99
0 PLC	±	NAME		
1 PLC	±	MODULAR JACK ASSEMBLY,		
2 PLC	±0.131(.005)	8 POSITION, 10mm		
3 PLC	±	PRODUCT SPEC		
4 PLC	±	108-1163		
ANGLES	±	APPLICATION SPEC		
MATERIAL SEE P/N TABLE		114-2048		RESTRICTED TO
FINISH SEE P/N TABLE		WEIGHT 3.49 grams		SCALE 8:1 SHEET 1 OF 1 REV L
CUSTOMER DRAWING		A100779		1116504

单击下面可查看定价，库存，交付和生命周期等信息

[>>TE Connectivity\(泰科\)](#)