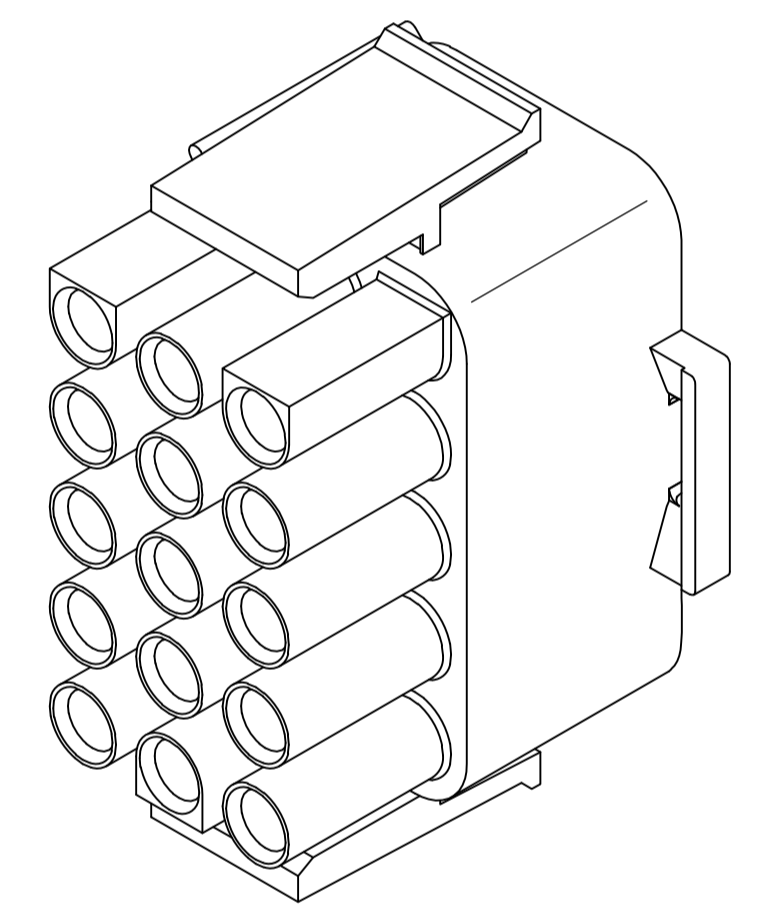
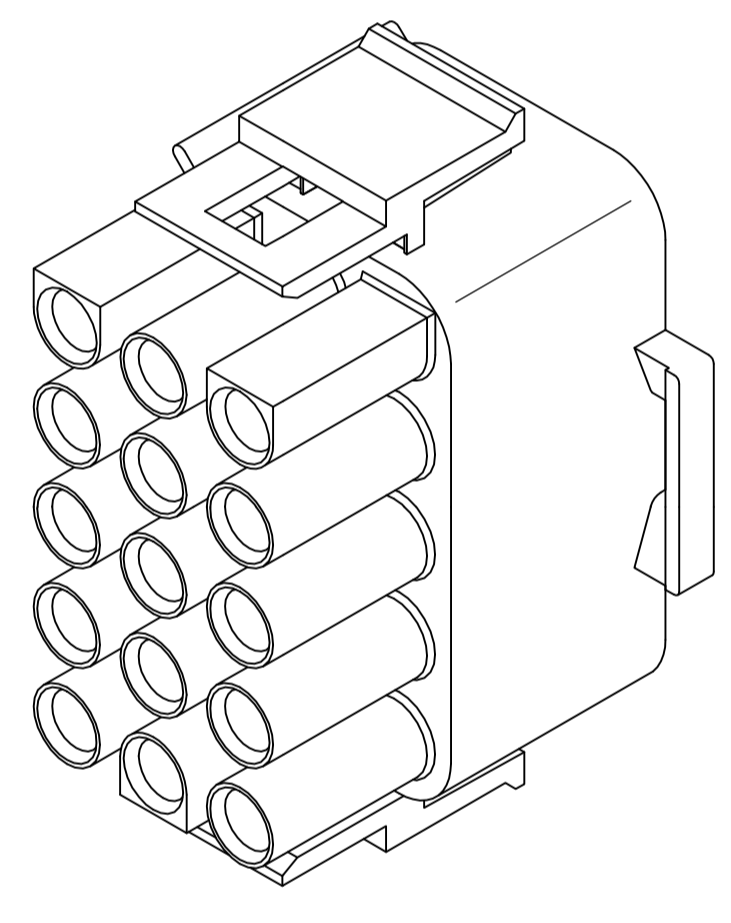
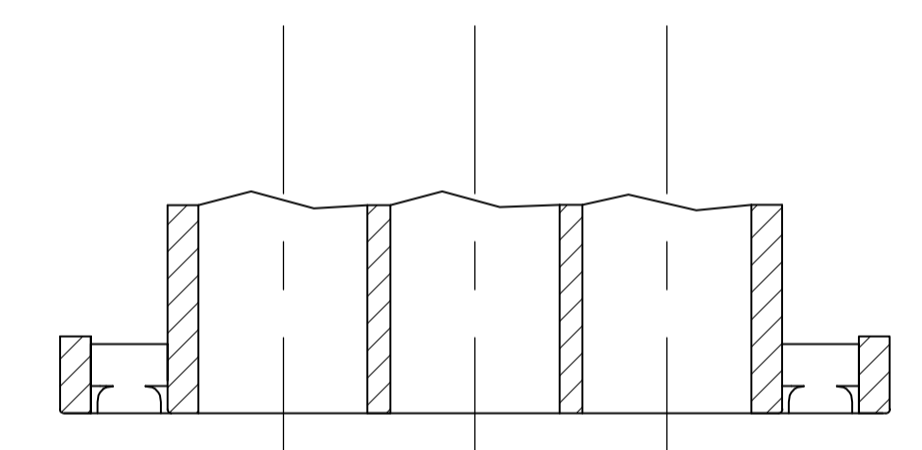


- MATES WITH APPROPRIATE UNIVERSAL MATE-N-LOK™ CAP OR HEADER.
 - SMALL NICKS ARE PERMITTED ON THE CIRCUIT TOWERS WHICH COULD INCREASE THE INITIAL HOUSING MATING FORCE BY UP TO 4.4 NEWTONS [1.0 LBS]. NO INDIVIDUAL NICKED TOWER SHALL INCREASE THIS FORCE BY OVER 2.2 NEWTONS [.5 LBS].
 - DIMENSIONS SHOWN REPRESENT PRODUCT IN DRY, AS MOLDED, CONDITION. ADDITIONAL 2% GROWTH DUE TO SUBSEQUENT MOISTURE ABSORPTION MAY OCCUR AND SHOULD BE ACCOUNTED FOR.
- △4 FOUR RIBS EQUALLY SPACED, NO SPECIFIC ORIENTATION. OR SIX RIBS EQUALLY SPACED, NO SPECIFIC ORIENTATION, OPTIONAL.
 - △5 NOT MANUFACTURED IN U.S.
 - △6 UNDERWRITERS RECOGNIZED COMPONENT LOGO AND CSA CERTIFICATION LOGO TO BE LOCATED ONCE ON EACH SIDE OF HOUSING.

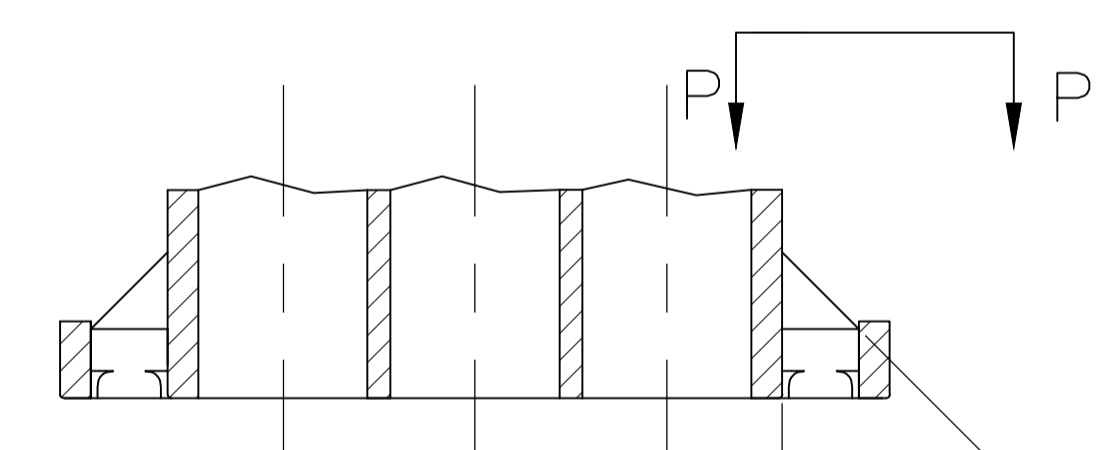


350736-4 3-DIMENSIONAL MODEL NTS

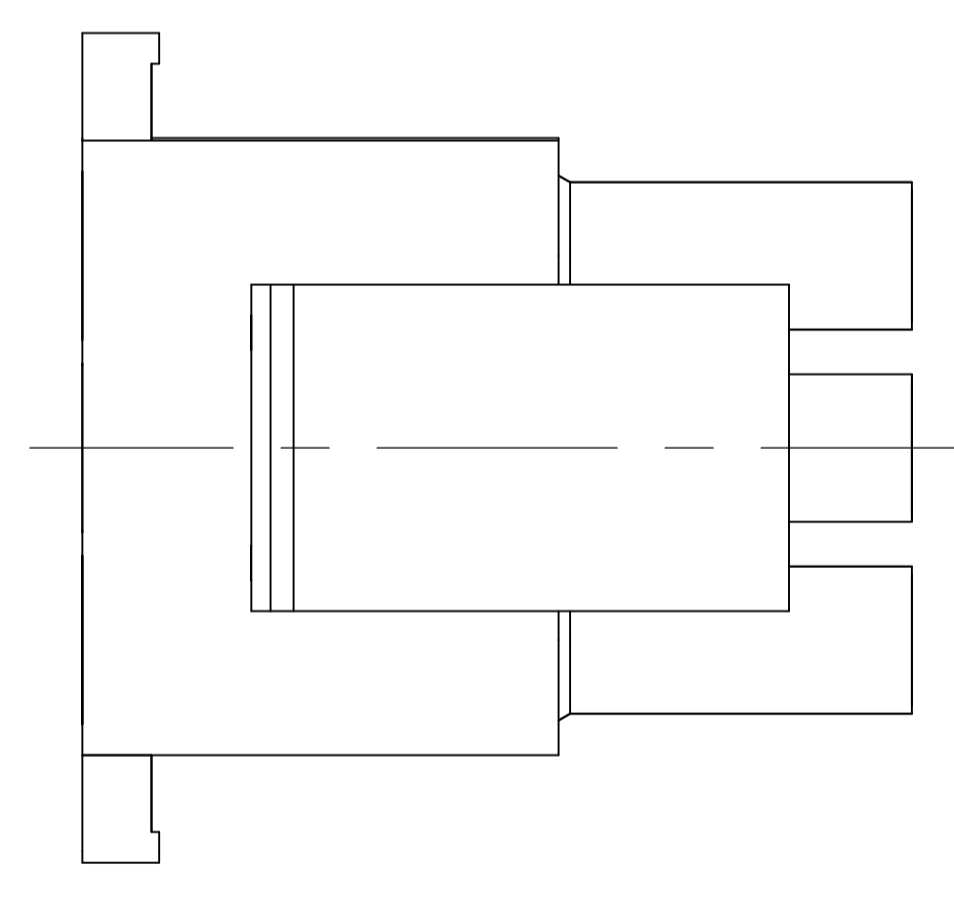
3-DIMENSIONAL MODEL NTS



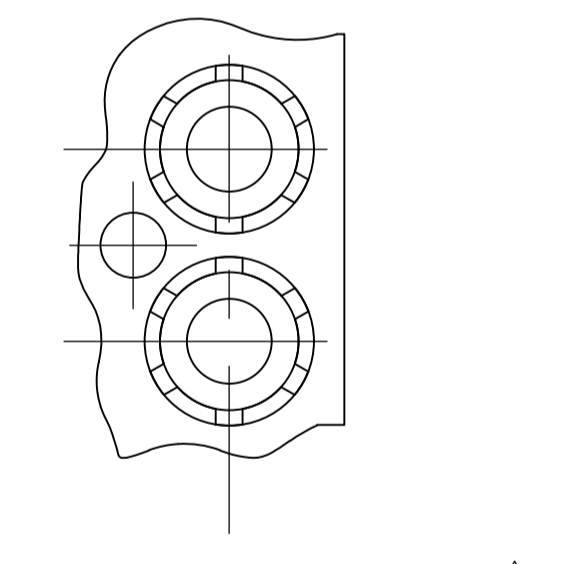
PARTIAL SECTION C-C



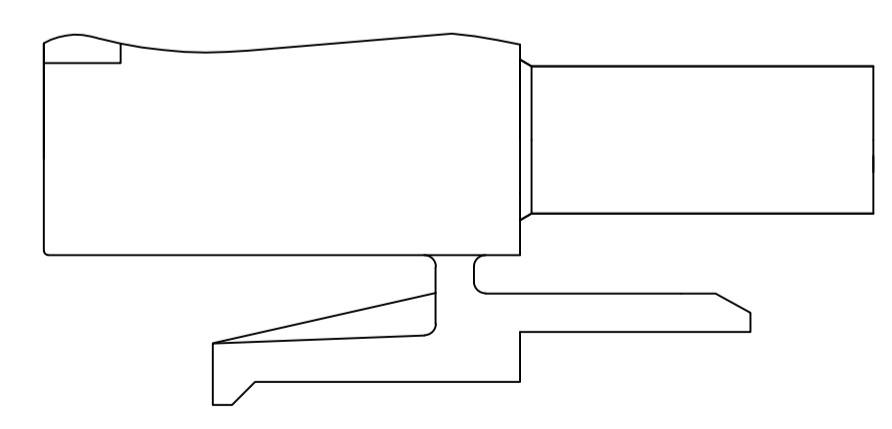
PARTIAL SECTION C-C
OPTIONAL CONSTRUCTION
45° REF



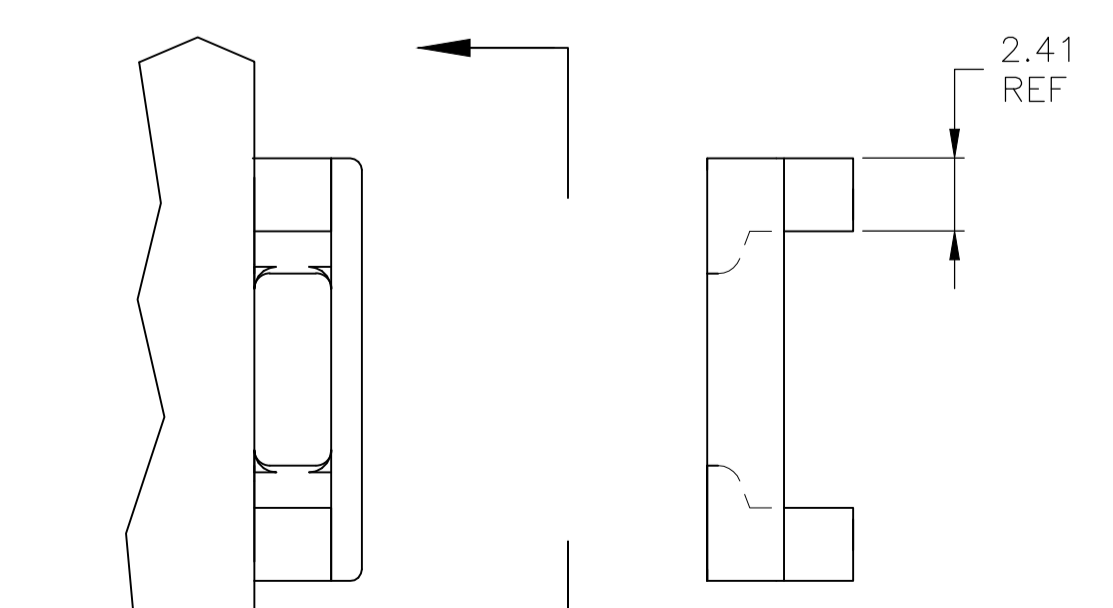
VIEW A-A
350736-4 ONLY



PARTIAL DETAIL D
OPTIONAL CONSTRUCTION



DETAIL B
350736-4 ONLY



VIEW P
OPTIONAL CONSTRUCTIONS

BLACK	1-350736-9
GRAY	1-350736-8
BLUE	1-350736-6
GREEN	1-350736-5
YELLOW	1-350736-4
ORANGE	1-350736-3
RED	1-350736-2
BROWN	1-350736-1
△	350736-4
NATURAL	350736-1
COLOR	PART NUMBER

THIS DRAWING IS A CONTROLLED DOCUMENT.

DIMENSIONS: mm	TOLERANCES UNLESS OTHERWISE SPECIFIED:	DWN: K. WHITAKER 20FEB92	CHK: R. SWING 20FEB92	APVD: D. SELF 24FEB92	NAME:
0 PLC ± -	1 PLC ± -	2 PLC ± 0.13	3 PLC ± -	4 PLC ± -	ANGLES ± 0°30'
MATERIAL: NYLON, UL 94V-0		FINISH: -		WEIGHT: A1 00779	SCALE: 4:1
CUSTOMER DRAWING		DRAWING NO: 108-1031		SHEET 1 OF 1	
APPLICATION SPEC: 114-1010		PRODUCT SPEC: 108-1031		REV: Z	

STE TE Connectivity

PLUG, 15 CIRCUIT, UNIVERSAL MATE-N-LOK™

单击下面可查看定价，库存，交付和生命周期等信息

[>>TE Connectivity\(泰科\)](#)