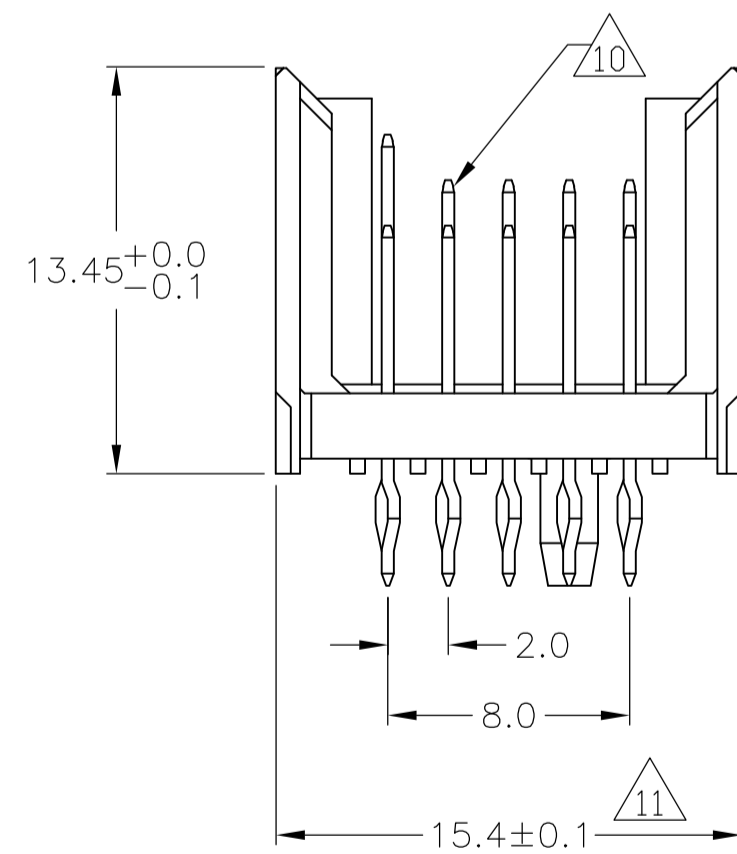
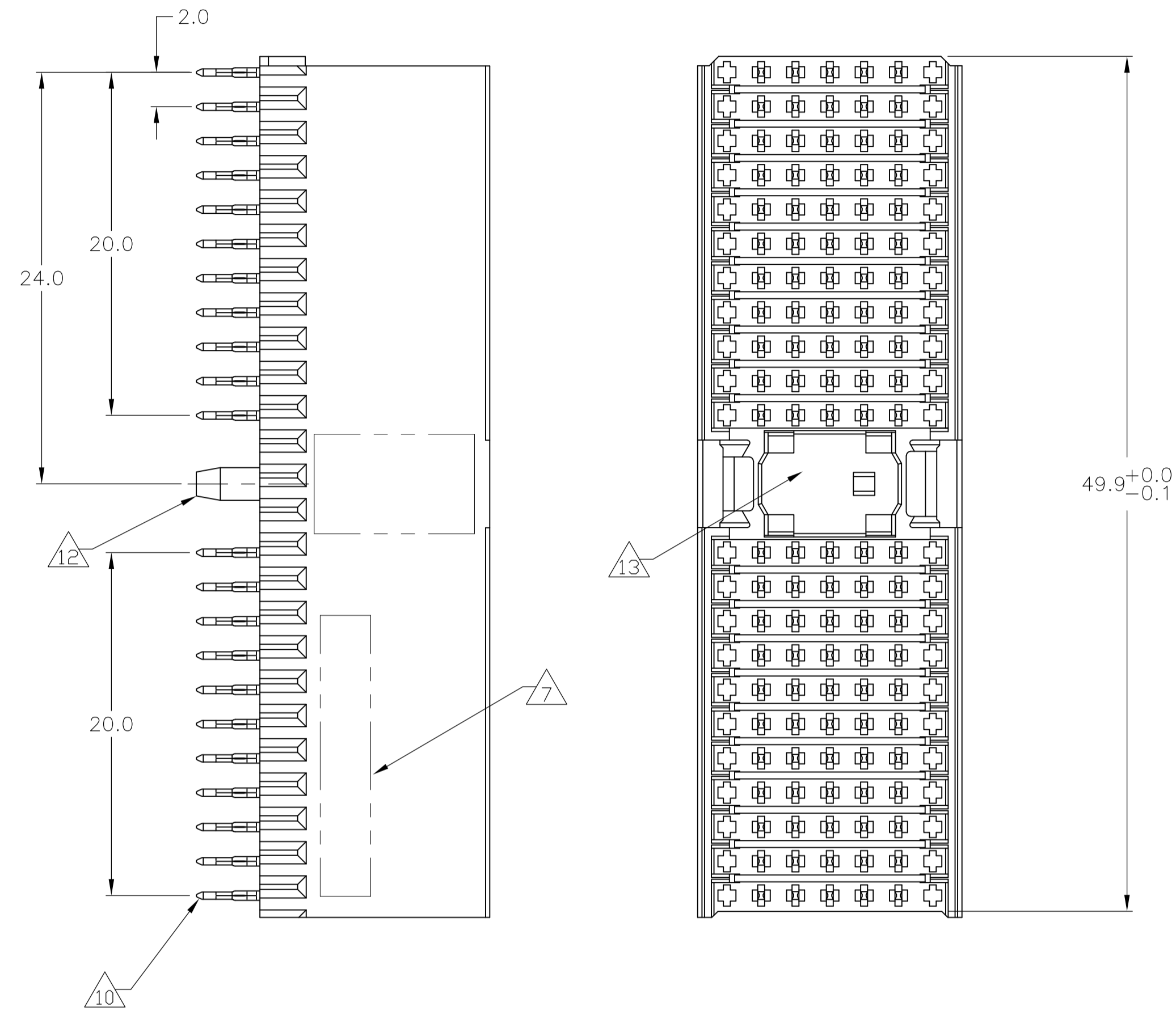
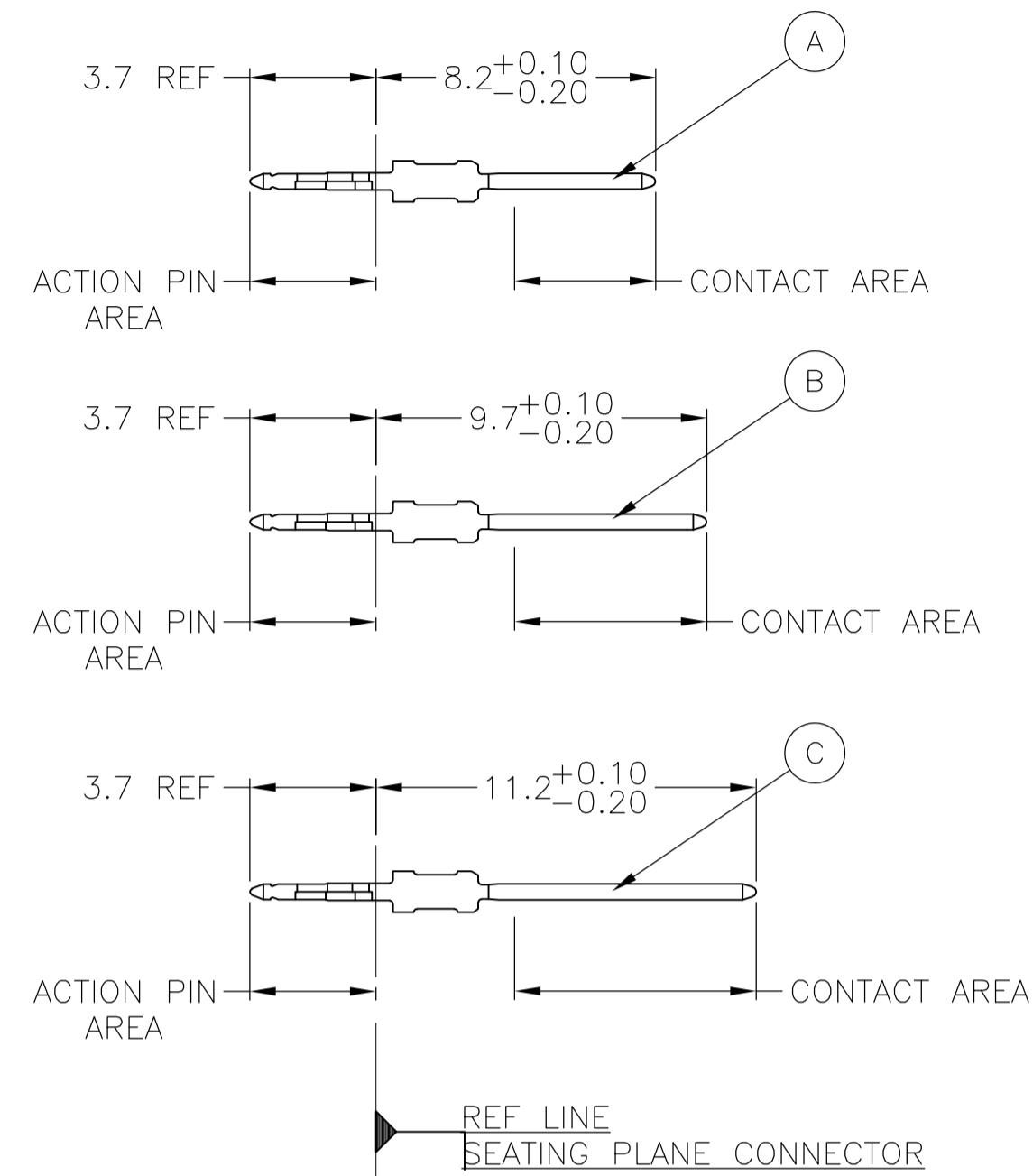


CONNECTOR ASSEMBLY EXAMPLARY LOADED



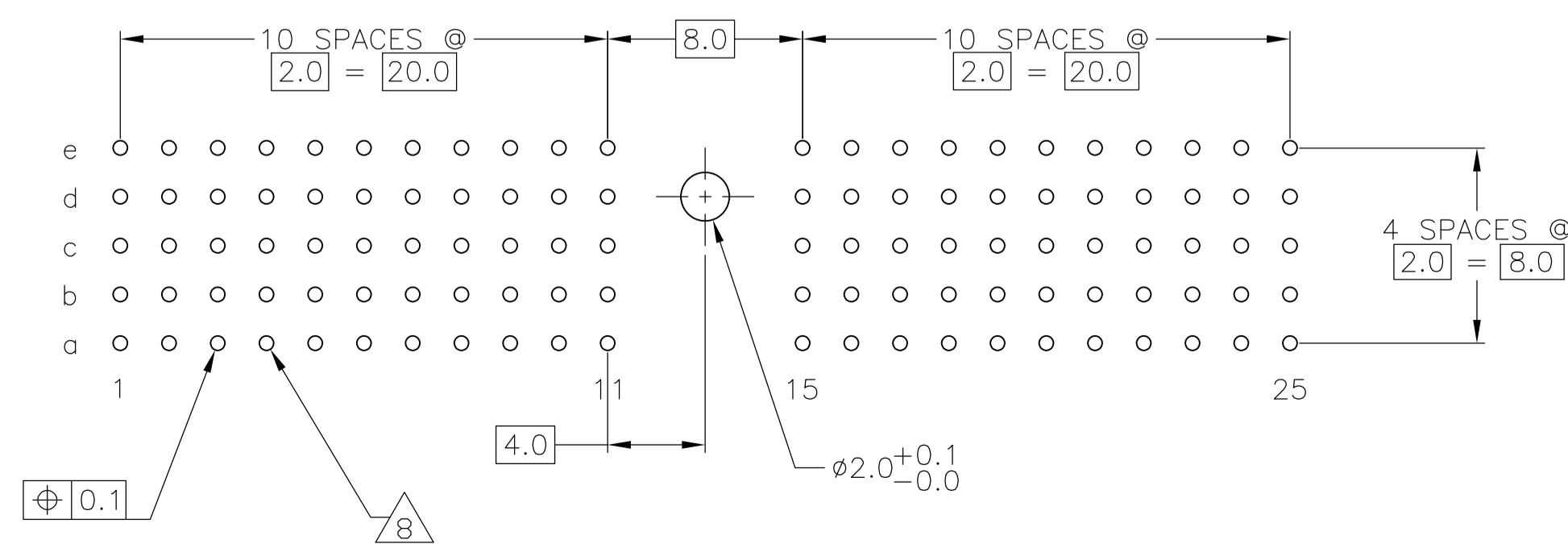
CONTACT DIMENSIONS SCALE 5:1



CONTACT LAYOUT

	z	a	b	c	d	e	f
1	A	A	A	A	A		
2	A	A	A	A	A		
3	A	A	A	A	A		
4	A	A	A	A	A		
5	A	A	A	A	A		
6	A	A	A	A	A		
7	A	A	A	A	A		
8	A	A	A	A	A		
9	A	A	A	A	A		
10	C	B	B	B	B		
11	C	B	B	B	B		
MULTI PURPOSE CENTER							
15	C	B	B	B	B		
16	C	B	B	B	B		
17	A	A	A	A	A		
18	A	A	A	A	A		
19	A	A	A	A	A		
20	A	A	A	A	A		
21	A	A	A	A	A		
22	A	A	A	A	A		
23	A	A	A	A	A		
24	A	A	A	A	A		
25	A	A	A	A	A		

RECOMMENDED PCB-HOLE LAYOUT COMPONENT SIDE SHOWN



PLATED THRU HOLES PARAMETERS


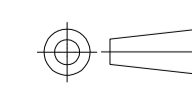
REFERENCE APPLICATION SPECIFICATION

2	6	14	1-188733-9
2	5	14	-188733-9
2	4		188733-4
2	3		-188733-1
FINISH			PART NUMBER

THIS DRAWING IS A CONTROLLED DOCUMENT.

DIMENSIONS: mm	TOLERANCES UNLESS OTHERWISE SPECIFIED:	DIN B CARBO	OSMAYOS	Tyco Electronics Corporation
0-PLC ±	1-PLC ±0.1	G. SKIPPER	OSMAYOS	Harrisburg, Pa 17105-3608
2-PLC ±	3-PLC ±	G. SKIPPER	OSMAYOS	MALE ASSEMBLY, Z-PACK 2mm HM, TYPE A
4-PLC ±	ANGLES ±	108-19082	114-19029	SIZE: A1
MATERIAL 1	FINISH SEE TABLE	100779	188733	RESTRICTED TO
		WEIGHT	SCALE 4:1	SHEET 1 OF 2
		CUSTOMER DRAWING	REV E	

- 1 MATERIAL:
CONTACT: PHOSPHOR BRONZE.
HOUSING: GLASS-FILLED POLYESTER.
- 2 GENERAL PLATING SPECIFICATION: UNDERPLATING
(ENTIRE CONTACT): 1.27µm MIN NICKEL AND ACTION
PIN: 0.5µm MIN TIN/LEAD.
FOR PLATING OF MATING SURFACES SEE APPLICABLE
SPECIFICATION REFERENCE FOR EACH DASH NUMBER.
- 3 CONFORMS TO ALL TESTING ACCORDING TO IEC 61076-4-101
PERFORMANCE LEVEL 2.
- 4 CONFORMS TO ALL TESTING ACCORDING TO IEC 61076-4-101
PERFORMANCE LEVEL 1.
- 5 CONNECTOR TESTED AND QUALIFIED AGAINST TELCORDIA GR-1217-CORE QUALITY LEVEL 3,
CENTRAL OFFICE APPLICATIONS.
- 6 CONNECTOR TESTED AND QUALIFIED AGAINST TELCORDIA GR-1217-CORE QUALITY LEVEL 3,
UNCONTROLLED ENVIROMENT APPLICATIONS.
- 7 CONNECTOR MARKED WITH PART NUMBER AND DATE CODE.
ADDITIONAL CHARACTERS OR MARKINGS, AS WELL AS THE LOCATION OF THE MARKINGS,
MAY BE ADDED FOR TRACEABILITY BASED UPON MANUFACTURERS DISCRETION.
- 8 PLATED-THROUGH HOLES AT 2x2mm SQUARE GRID
PATTERN DEFINED BY CONTACT LAYOUT.
- 9 FOR ACTUAL PIN LOADING SEE "CONTACT LAYOUT".
- 10 FOR ACTUAL PIN DIMENSIONS SEE "CONTACT DIMENSIONS".
- 11 TO BE MEASURED AT BOTTOM OF SHROUD.
- 12 POLARIZATION FEATURE.
- 13 AREA RESERVED FOR KEYING PART (BASIC P/N 100525).
- 14 CONNECTOR LUBRICATED WITH BELCORE APPROVED LUBRICANT,
TECHNICAL REFERENCE: TR-NWT-001217 ISSUE 1, SEP 1992.
- 15 OBSOLETE PARTS: OBSOLETE CIS STREAMLINING PER D.RENAUD/D.SINISI

THIS DRAWING IS A CONTROLLED DOCUMENT.		DIN B. CARBO	OSMAYOS	 Tyco Electronics Corporation Harrisburg, Pa 17105-3608
		CHK G. SKIPPER	OSMAYOS	
DIMENSIONS: mm		TOLERANCES UNLESS OTHERWISE SPECIFIED: 0-PLC ± 1-PLC ±0.1 2-PLC ± 3-PLC ± 4-PLC ± ANGLES ±		APVD G. SKIPPER OSMAYOS NAME MALE ASSEMBLY, Z-PACK 2mm HM, TYPE A
		PRODUCT SPEC 108-19082 APPLICATION SPEC 114-19029		SIZE A1
MATERIAL SEE SHEET 1		FINISH SEE SHEET 1		WEIGHT - SCALE 4:1
		CUSTOMER DRAWING		SHEET 2 OF 2 REV E

单击下面可查看定价，库存，交付和生命周期等信息

[>>TE Connectivity\(泰科\)](#)