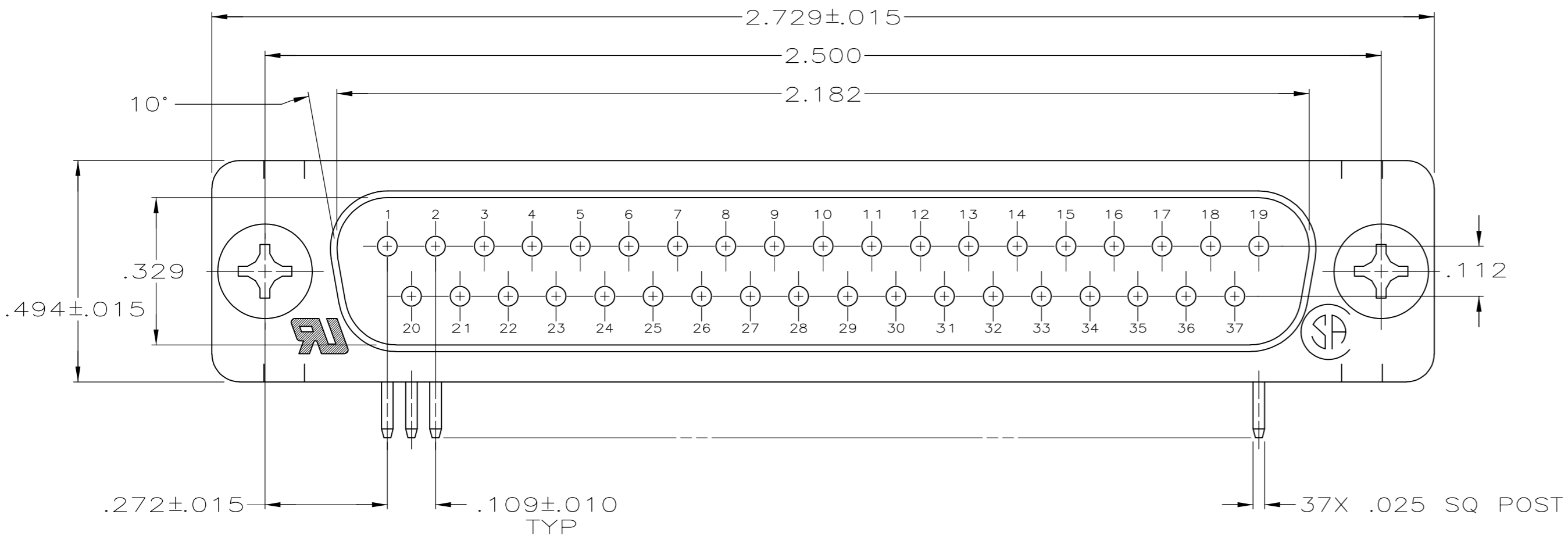
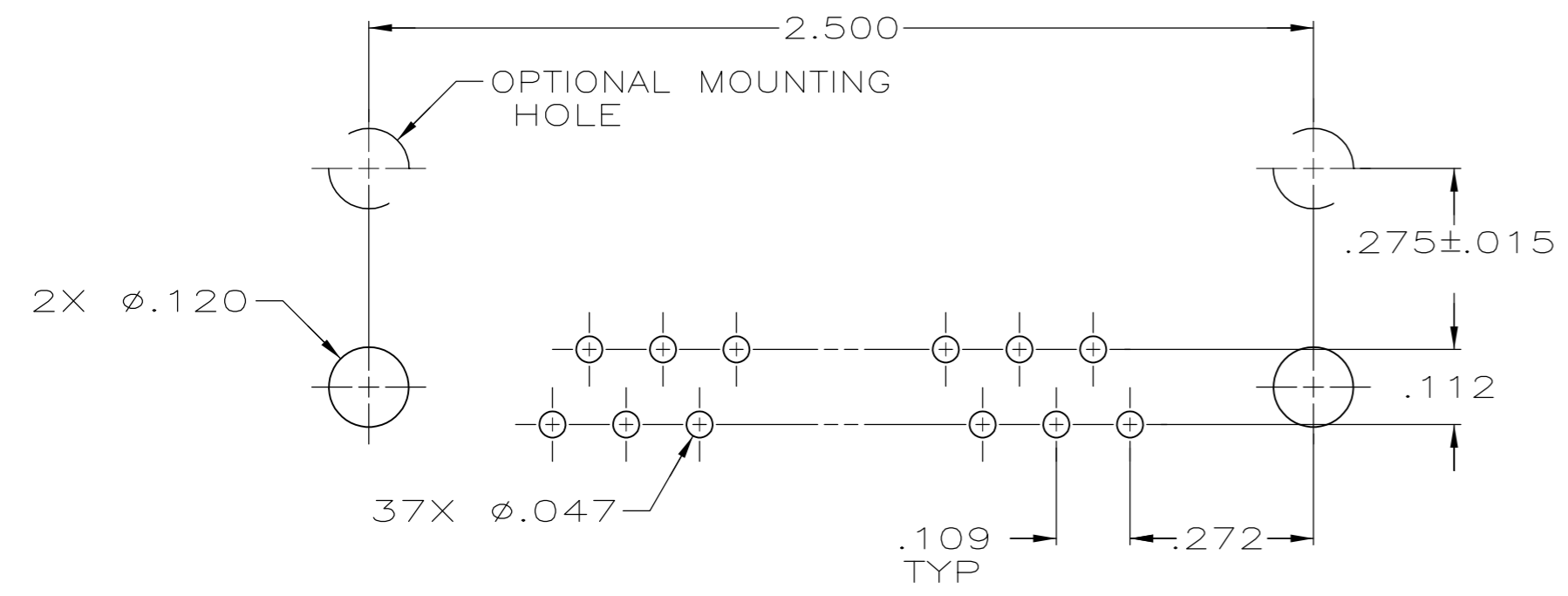
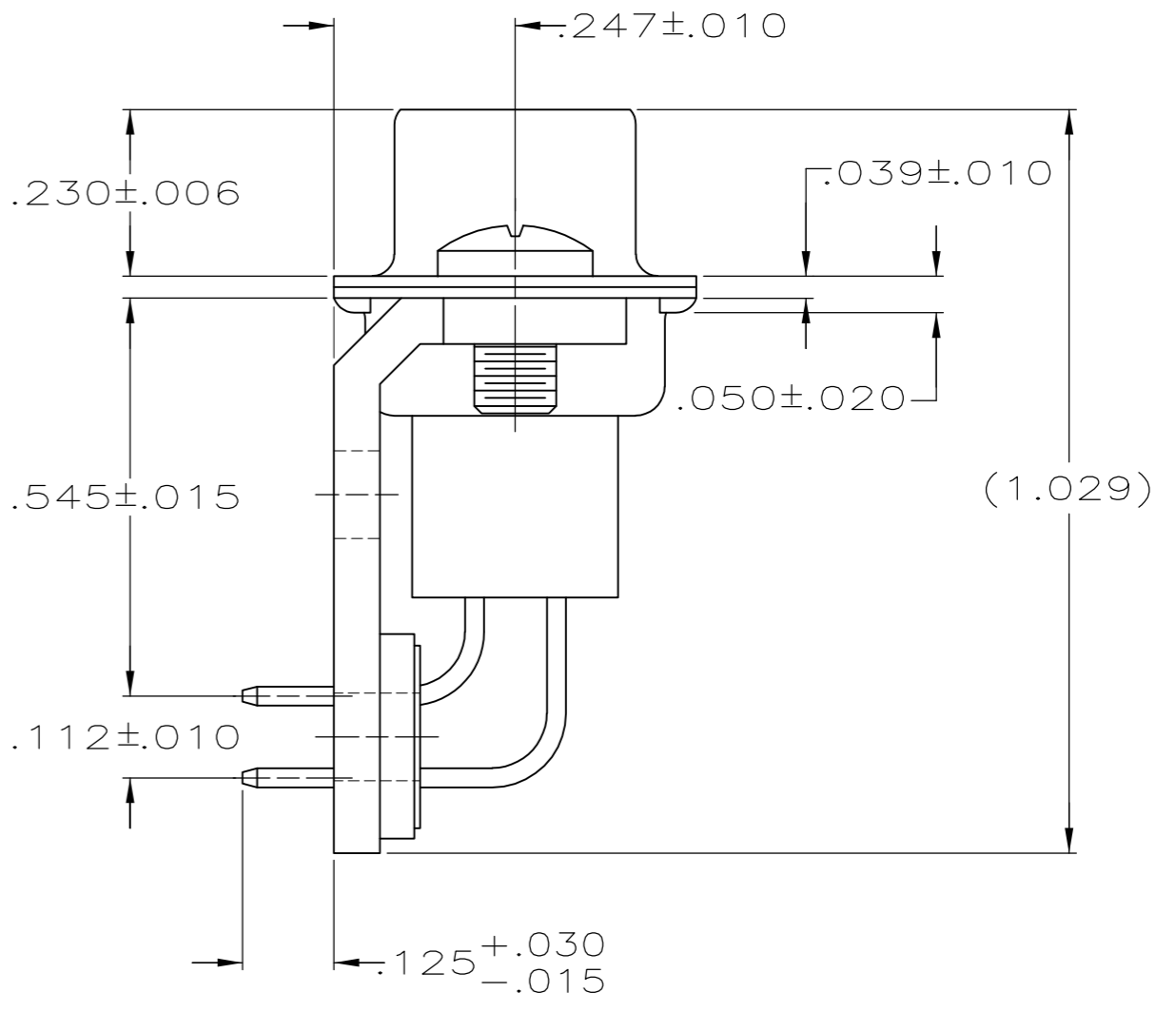
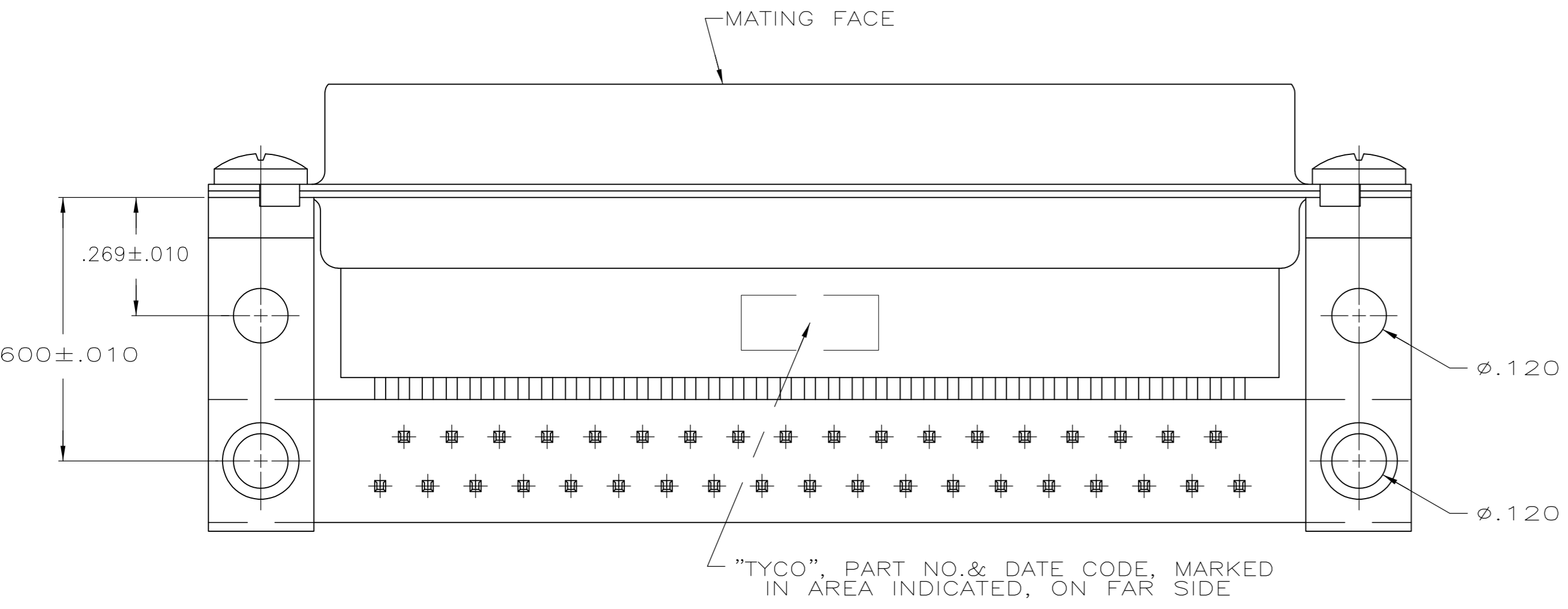


THIS DRAWING IS UNPUBLISHED. RELEASED FOR PUBLICATION  
 © COPYRIGHT 2005 By - ALL RIGHTS RESERVED.

LOC	DIST	REVISIONS			
P	LTR	DESCRIPTION	DATE	DWN	APVD
GP	00	A	REVISED PER ECO-14-011808	11AUG2014	AP SB



- 1 MOLDED PARTS: GLASS-FILLED PBT OR GLASS-FILLED NYLON, UL94V-0 RATED. COLOR: BLACK  
SHELLS & BRACKETS: CARBON STEEL  
CONTACTS: BRASS
- 2 SHELLS & BRACKETS: ZINC PLATED YELLOW CHROMATE COATING.  
CONTACTS: GOLD PLATED FOR LENGTH OF .150 MIN FROM MATING END, GOLD FLASH IN MATED AREA, .000100 MIN TIN ON OPPOSITE END, BOTH OVER .000050 MIN NICKEL.



P.C. BOARD MOUNTING DIMENSIONS

5205859-1  
 PART NUMBER

THIS DRAWING IS A CONTROLLED DOCUMENT.		DWN D. HENNY 8-21-05		TE Connectivity		
DIMENSIONS: INCHES		CHK S. BOLASH 8-21-05		NAME		
TOLERANCES UNLESS OTHERWISE SPECIFIED:		APVD M. WALMSLEY 8-21-05		PLUG ASSEMBLY, SIZE 4, 37 POSITION, RIGHT ANGLE, 545 SERIES, .025 SQ POSTS, AMPLIMITE HDP		
0 PLC ± - 1 PLC ± - 2 PLC ± .005 3 PLC ± - 4 PLC ± - ANGLES ± 2°		PRODUCT SPEC 108-40025		SIZE	CAGE CODE	DRAWING NO
MATERIAL		APPLICATION SPEC 114-40013	A2	00779	5205859	
FINISH		WEIGHT	SCALE 4:1		SHEET 1 of 1	
1		CUSTOMER DRAWING		REV A		

单击下面可查看定价，库存，交付和生命周期等信息

[>>TE Connectivity\(泰科\)](#)