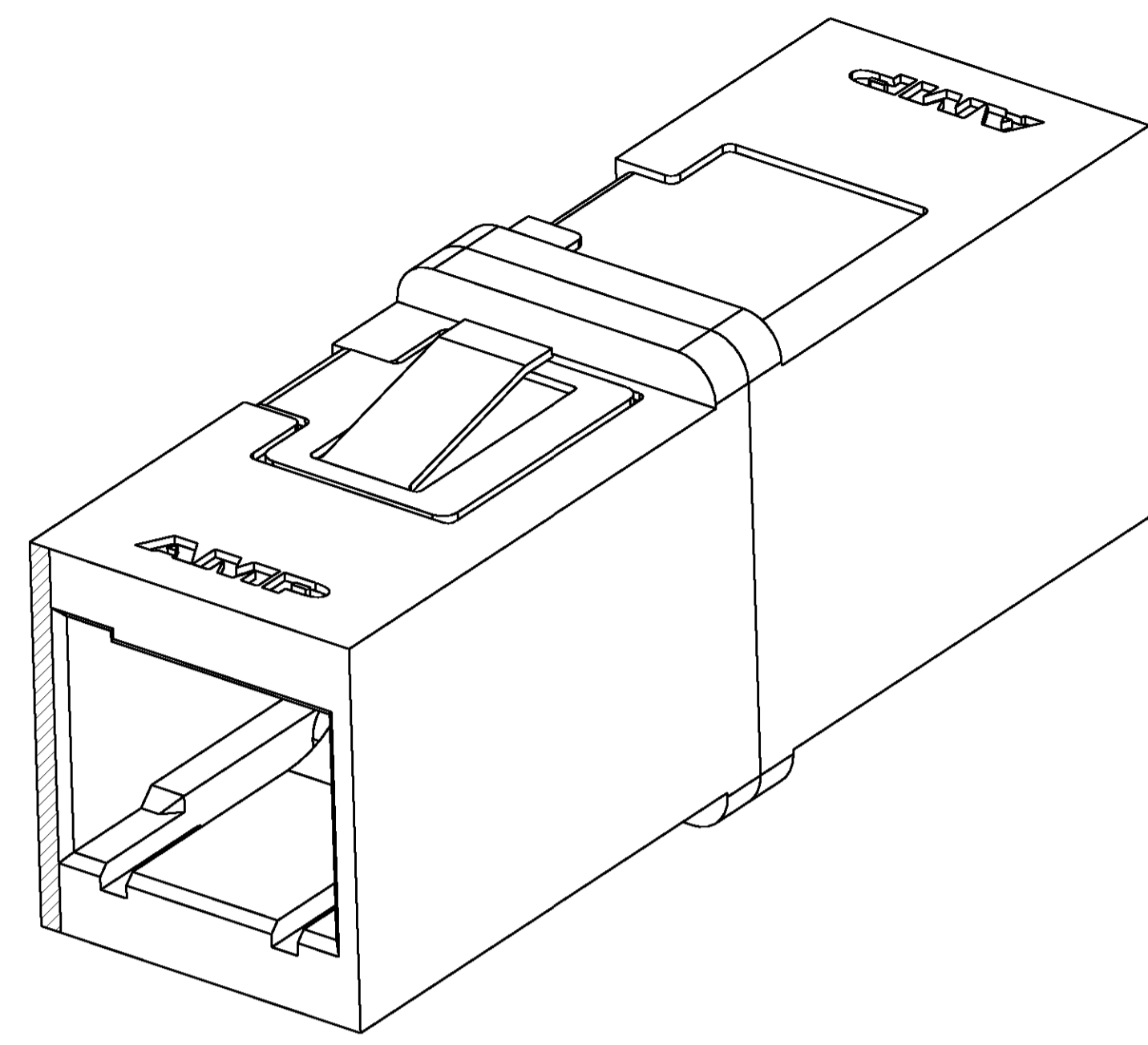
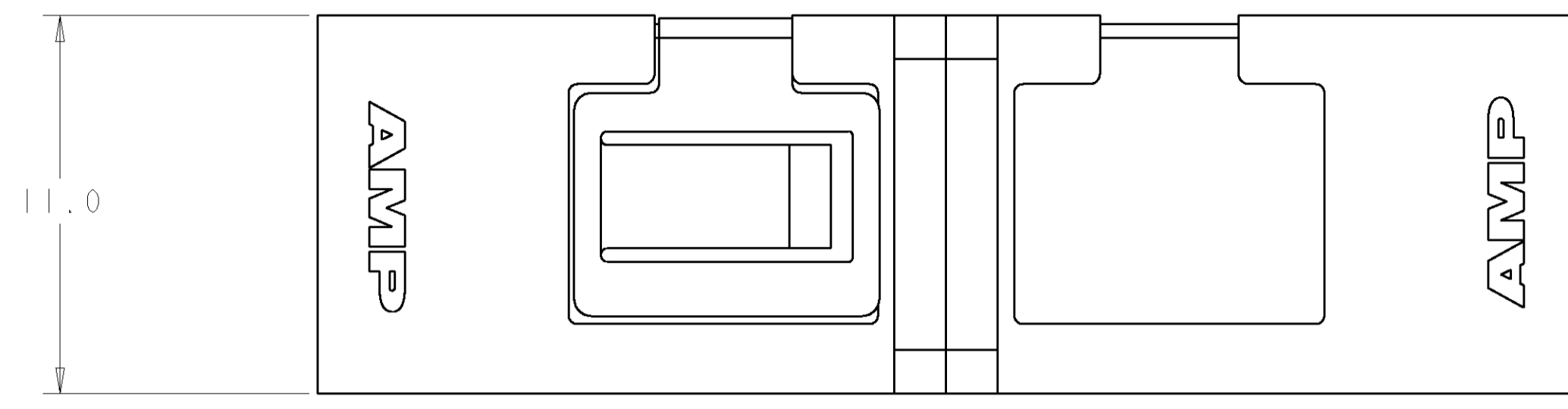
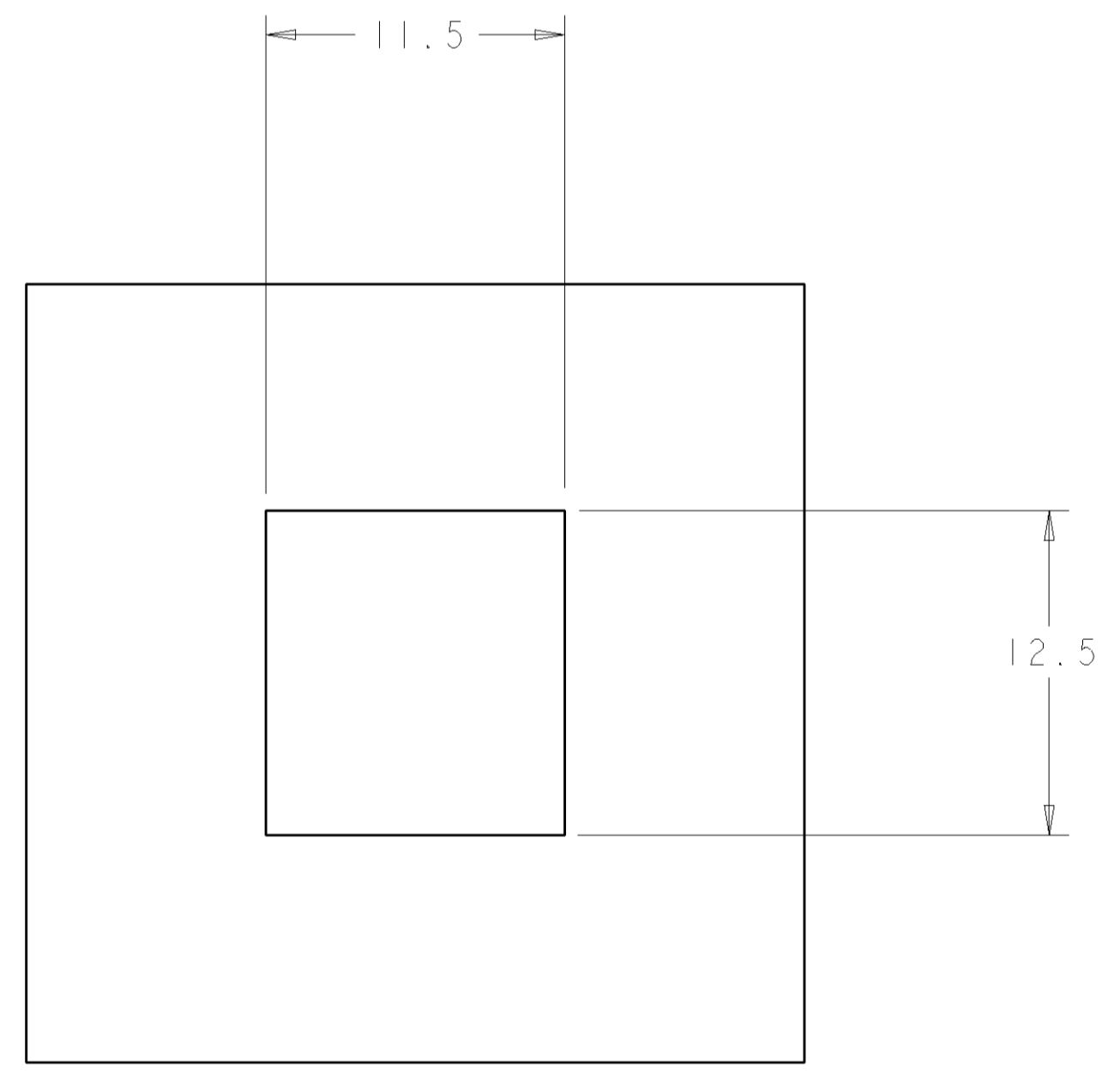
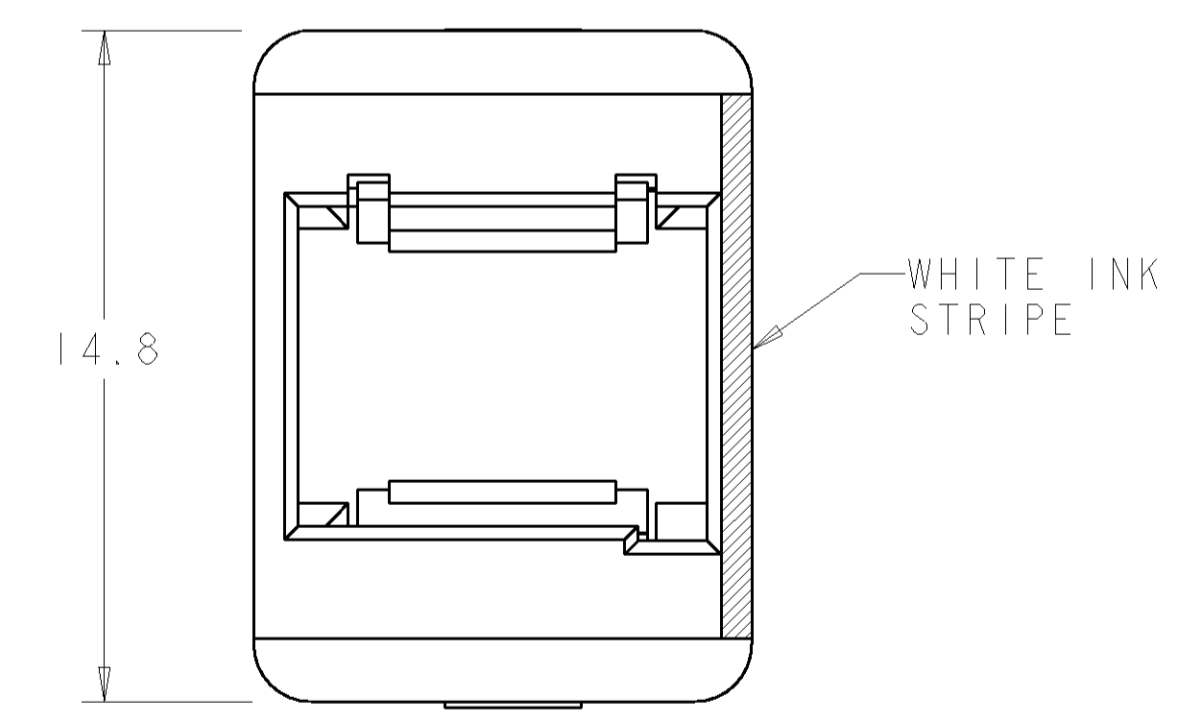
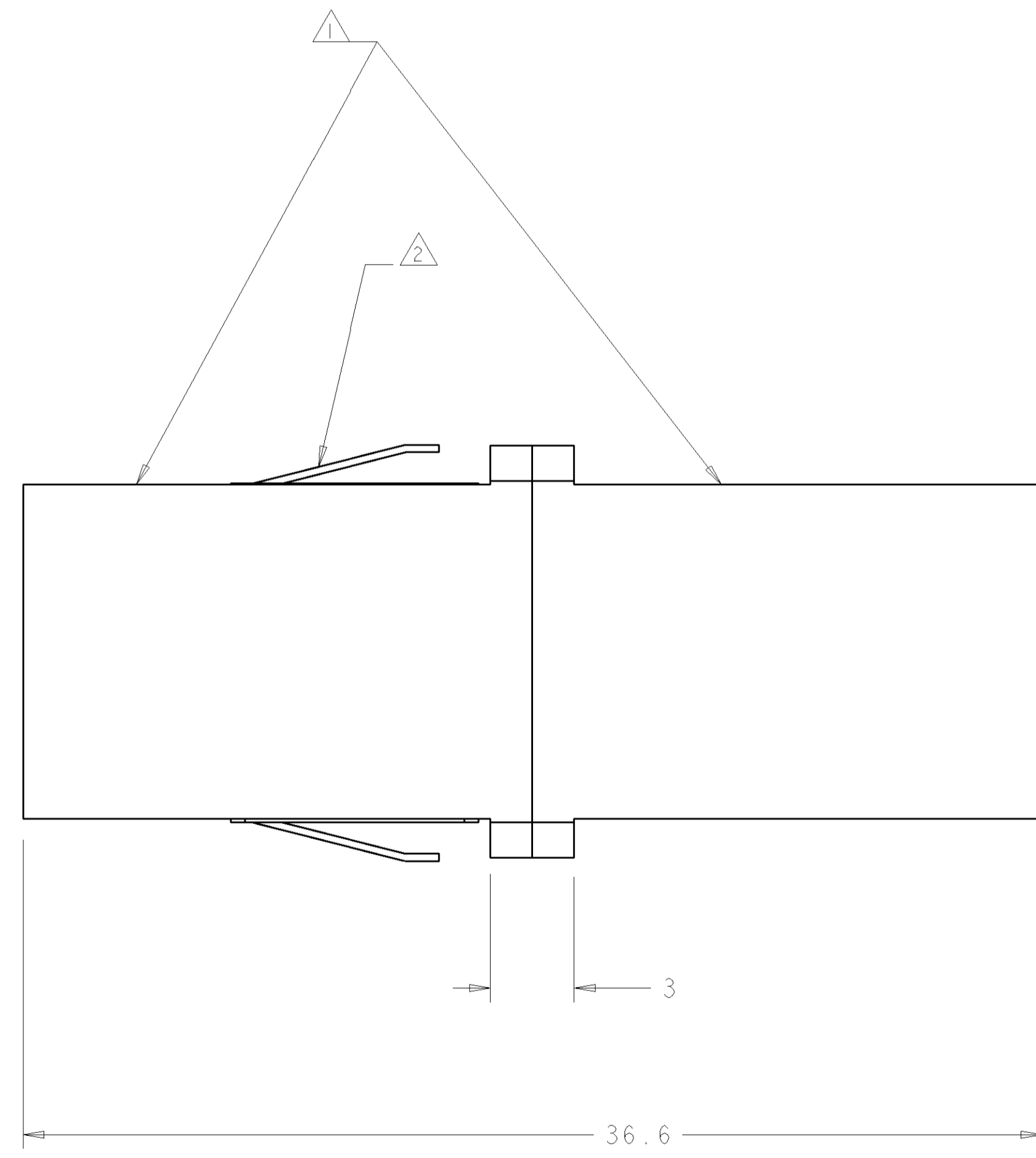
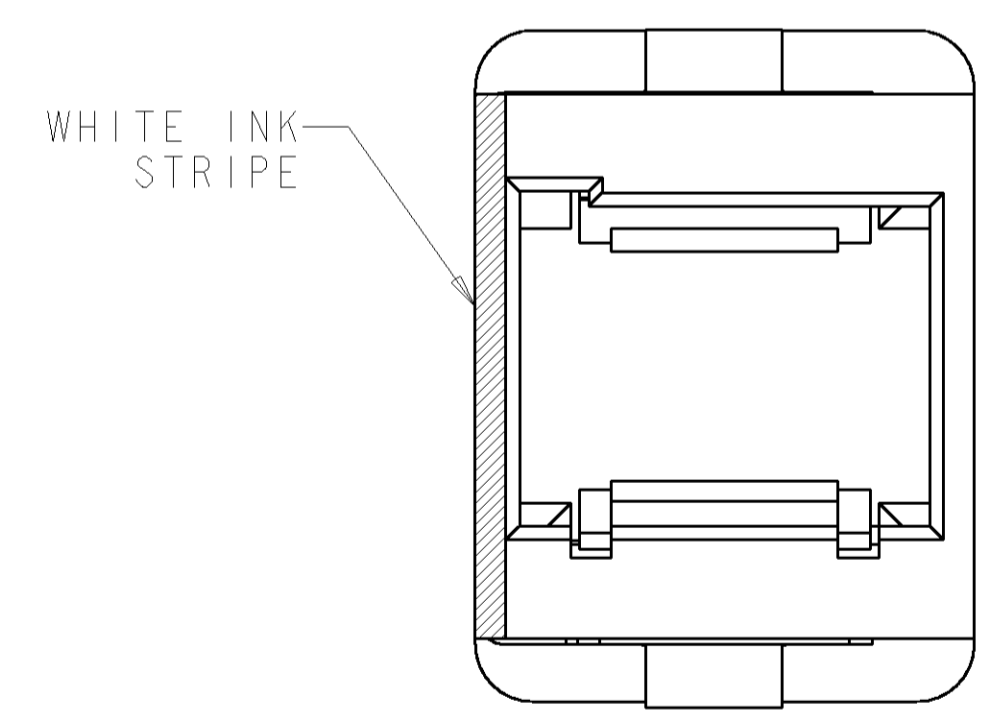


LOC	DIST	REVISIONS			
F	LTB	DESCRIPTION	DATE	DWN	APD
A		REV PER EC 0A00-0663-00	08AUG2000	LM	LB
B		REVISED PER EC 0A00-0314-02	29APR2002	EB	AP
C		REV PER EC 0A00-0172-04	01APR2004	EH	AP



- △ HOUSING MATERIAL:
PBT 30% GLASS FILLED, UL 94 V-0
COLOR: BLACK.
- △ RETENTION CLIP MATERIAL:
STAINLESS STEEL.



SUGGESTED PANEL CUT-OUT
SCALE 4:1

1374650-1
PART NUMBER

<small>THIS DRAWING IS UNPUBLISHED. RELEASED FOR PUBLICATION. ALL RIGHTS RESERVED. ANY REVISIONS TO THIS DRAWING MUST BE CONTROLLED BY THE CONTROLLING ENGINEERING ORGANIZATION. SHOULD BE CONTACTED FOR THE LATEST REVISION.</small>		DWN: MORNINGSTAR CHK: BARKUS APD: ABENDSCHEIN	ZOMARTOO ZOMARTOO ZAPROD	NAME: MORNINGSTAR PRODUCT SPEC: - APPLICATION SPEC: - WEIGHT: - FINISH: -	AMP Incorporated Harrisburg, PA 17105-3608
DIMENSIONS: mm 	TOLERANCES UNLESS OTHERWISE SPECIFIED: 0 PLC ±. 1 PLC ±.2 2 PLC ±.13 3 PLC ±.013 4 PLC ±. ANGLES ±. FINISH: -	SIZE: A1 CAGE CODE: 00779 CUSTOMER DRAWING	DRAWING NO: 1374650 SCALE: 6:1 SHEET: 1 OF 1 REV: C	AMP AMP Incorporated Harrisburg, PA 17105-3608 COUPLING BUSHING ASSY, SMALL FLANGE, LIGHTRAY MPX	

单击下面可查看定价，库存，交付和生命周期等信息

[>>TE Connectivity\(泰科\)](#)