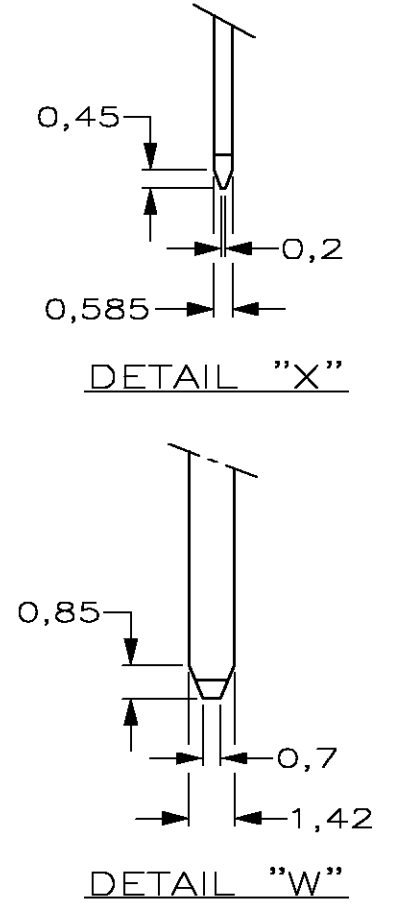
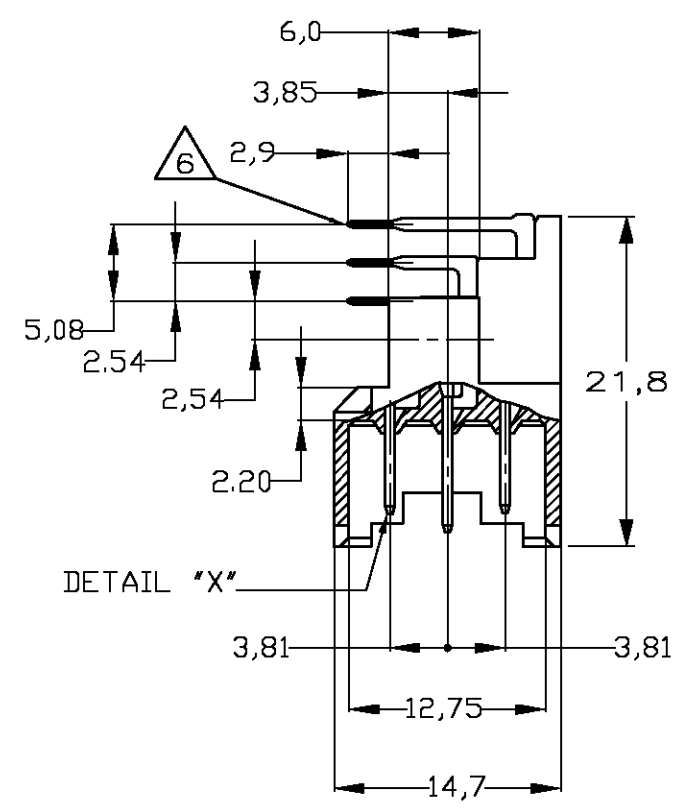
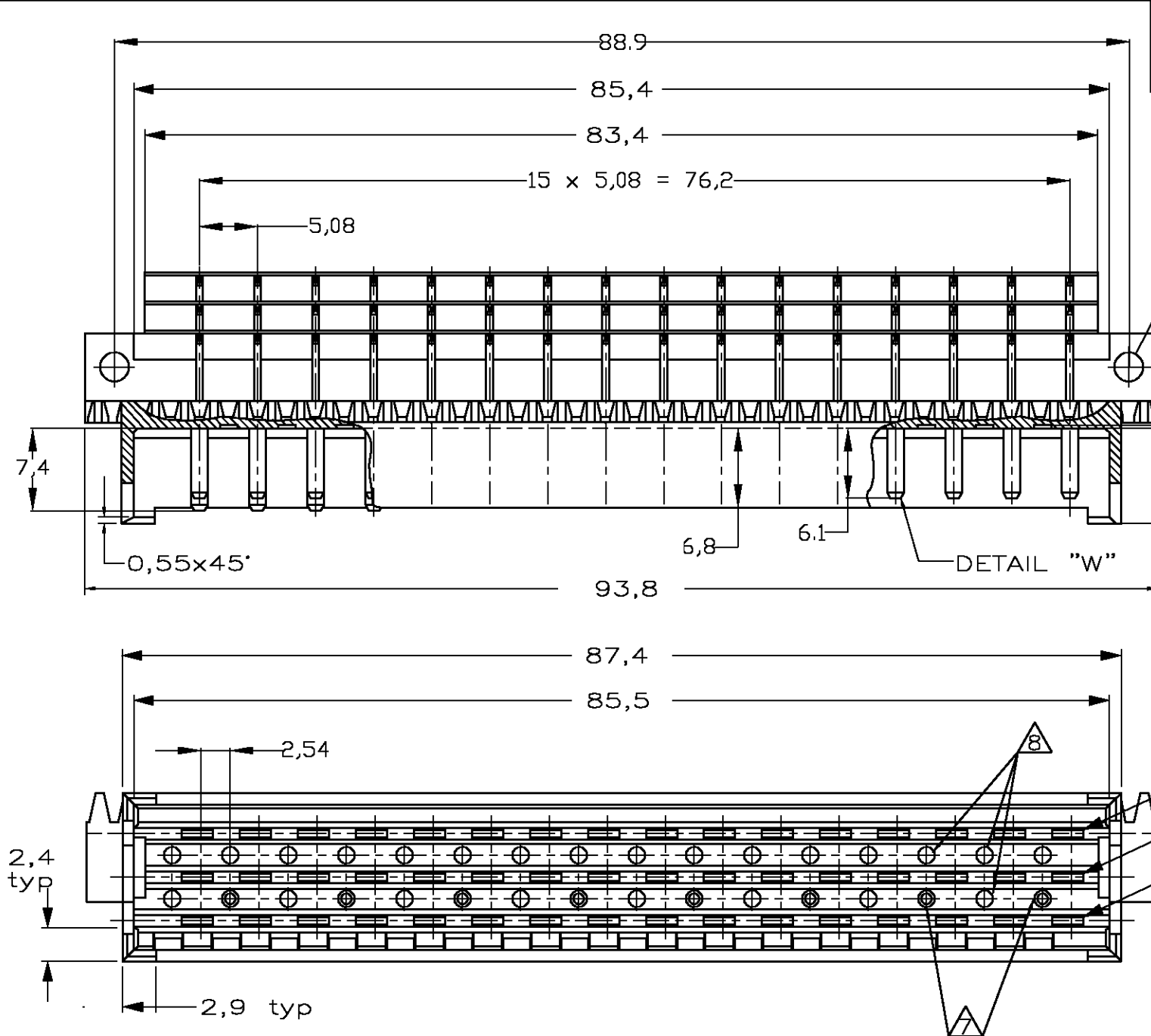
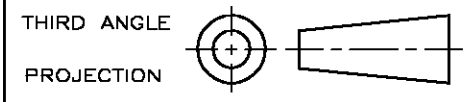


DO NOT SCALE  
DIMENSIONS IN mm

METRIC



POS. NO	2	4	6	8	10	12	14	16	18	20	22	24	26	28	30	32
F 48 ROW	N	X	X	X	X	X	X	X	X	X	X	X	X	X	X	X
	Q	⊗	⊗	⊗	⊗	⊗	⊗	⊗	⊗	⊗	⊗	⊗	⊗	⊗	⊗	⊗
	U	X	X	X	X	X	X	X	X	X	X	X	X	X	X	X

AN ASTERISK „X” DENOTES A STANDARD CONTACT.  
AN ASTERISK „⊗” DENOTES A FMLB CONTACT.

- NOTES
- 1 MATERIAL:  
-HOUSING: THERMOPLASTIC POLYESTER, COLOR GREY.  
-CONTACTS: BRASS.
  - 2
  - 3 PLATING CONTACT: CONFIRMS TO IEC 60603-2 PERFORMANCE LEVEL II REQUIREMENT IN CONTACT AREA, Sn OVER Ni IN SOLDER POST
  - 4
  - 5
  - 6 SOLDER POSTS SUITABLE FOR P.C.B. HOLES  
0,8±0,05 OR 1,0±0,1 DIA.
  - 7 8 HOLES SUITABLE FOR KEYING PIN PN. 215916-1.
  - 8 KEYING HOLES TO BE DRILLED BY CUSTOMER.

SEE NOTE 1	SEE NOTE 3	1392406-4
------------	------------	-----------

		FINISH	MATERIAL	PARTNUMBER	
<b>CUSTOMER DRAWING</b> FOR REFERENCE ONLY WILL NOT BE UPDATED					
© COPYRIGHT 19 - BY Tyco Electronics EC N.V. ALL INTERNATIONAL RIGHTS RESERVED. Tyco PRODUCTS MAY BE COVERED BY U.S. AND FOREIGN AND/OR PATENTS PENDING. THIS DRAWING IS UNPUBLISHED RELEASED FOR PUBLICATION ,19					
B	PER ECO-17-002455	SY	SY	22FEB'17	
A	SR10-0419-02	BC	BC	20 Sep '02	
O	-	BC	BC	18 Sep '02	
LTR. REVISION RECORD		DR.	CHK.	DATE	
DR.:	B. Colpoert	CHK.:	B. Colpoert	APP.:	B. Colpoert
DATE:	-	DATE:	-	DATE:	-
DWG.No. C-1392406		REV.LTR. B	SHEET 10F 1	A3	

单击下面可查看定价，库存，交付和生命周期等信息

[>>TE Connectivity\(泰科\)](#)