

THIS DRAWING IS UNPUBLISHED.

RELEASED FOR PUBLICATION

ALL RIGHTS RESERVED.

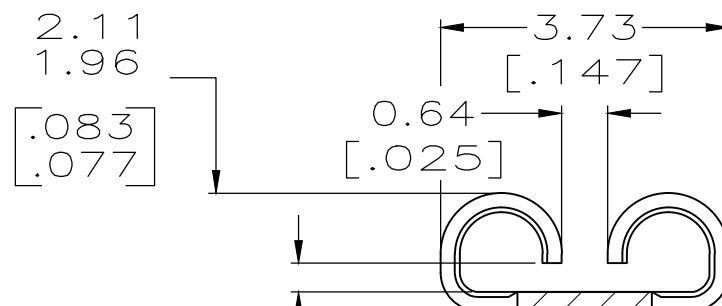
© COPYRIGHT - By -

LOC AF DIST 50

REVISIONS

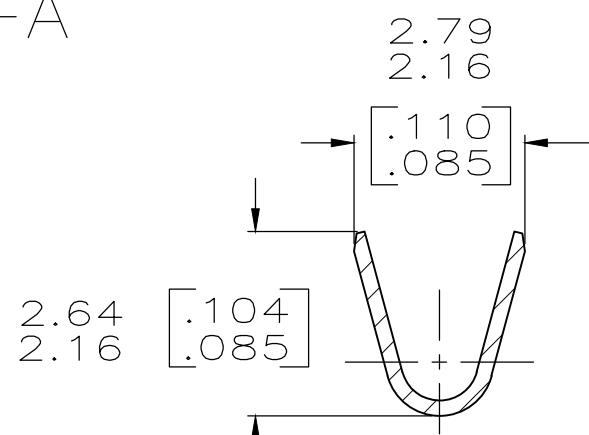
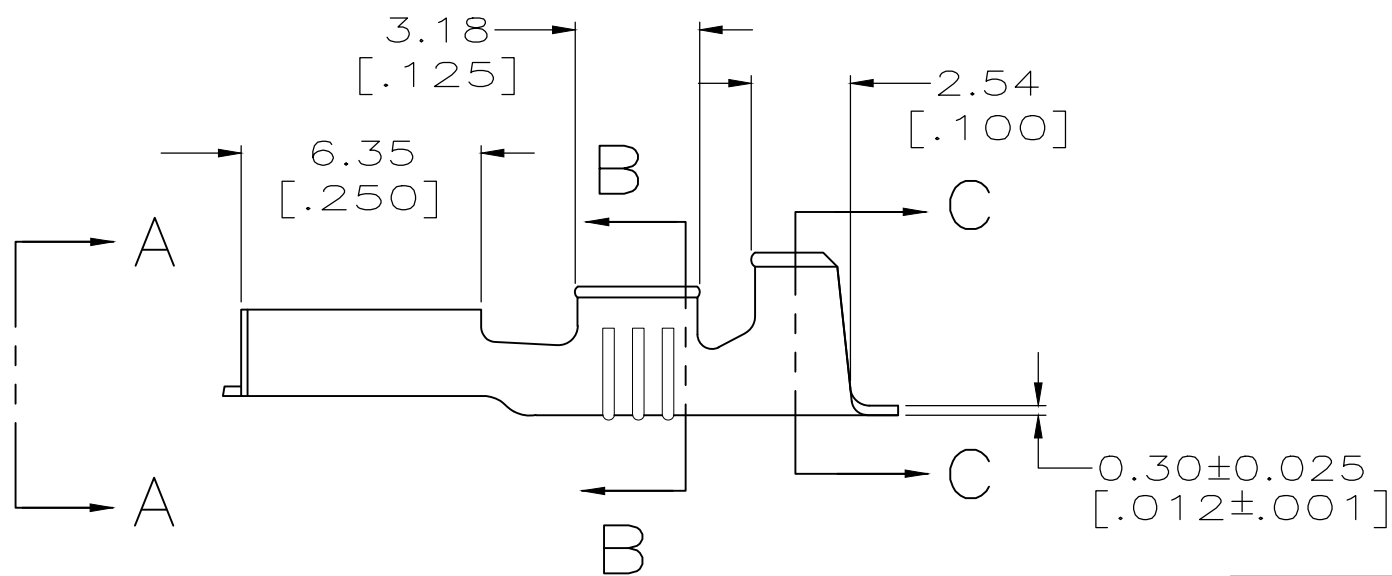
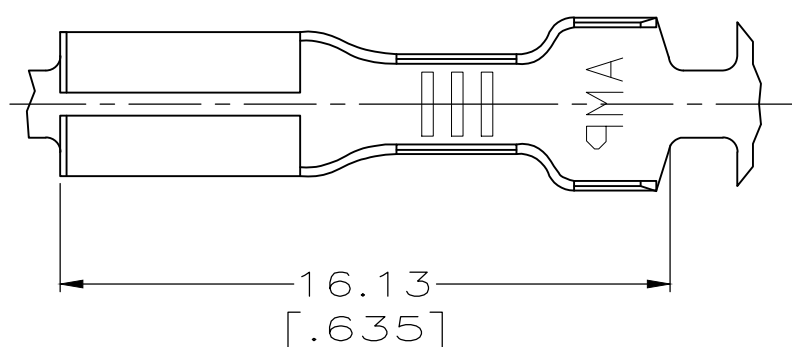
P	LTR	DESCRIPTION	DATE	DWN	APVD
E1		REVISED PER ECR-19-018151	12NOV2020	AA	EW

A1 CONTINUOUS STRIP ON REELS.

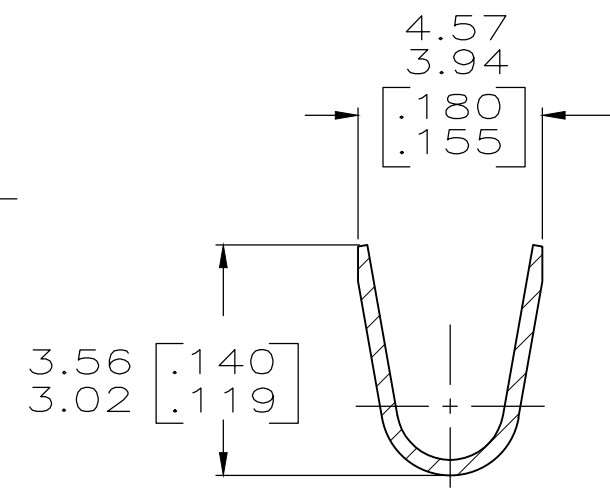


FITS 2.79 [.110] SERIES FASTON TAB, REFER TO CP-16000 FOR TAB DETAIL.

VIEW A-A



SECTION B-B



SECTION C-C

OBSOLETE

1.52-2.54 DIA [.060-.100] DIA	[#22-#18] AWG	0.81±0.025 [.032±.001]	62942-1
INSUL RANGE	WIRE SIZE	MATING TAB THICKNESS	PART NUMBER

OBSOLETE

THIS DRAWING IS A CONTROLLED DOCUMENT.		DWN JR RUTH 6/14/95	TE Connectivity RECEPTACLE, FASTON, 2.79 [.110] SERIES	
DIMENSIONS: mm [INCHES]		CHK MS FEHER 6/14/95		
TOLERANCES UNLESS OTHERWISE SPECIFIED:		APVD P DESANTIS 6/14/95		
0 PLC ± - 1 PLC ± - 2 PLC ± - 3 PLC ± 0.38 [.015] 4 PLC ± - ANGLES ± -		NAME		
MATERIAL BRASS		FINISH TIN	PRODUCT SPEC -	APPLICATION SPEC -
		WEIGHT -	SIZE A3	CAGE CODE 00779
		CUSTOMER DRAWING	DRAWING NO C-62942	RESTRICTED TO -
		SCALE 5:1	SHEET 1 OF 1	REV E1

单击下面可查看定价，库存，交付和生命周期等信息

[>>TE Connectivity\(泰科\)](#)