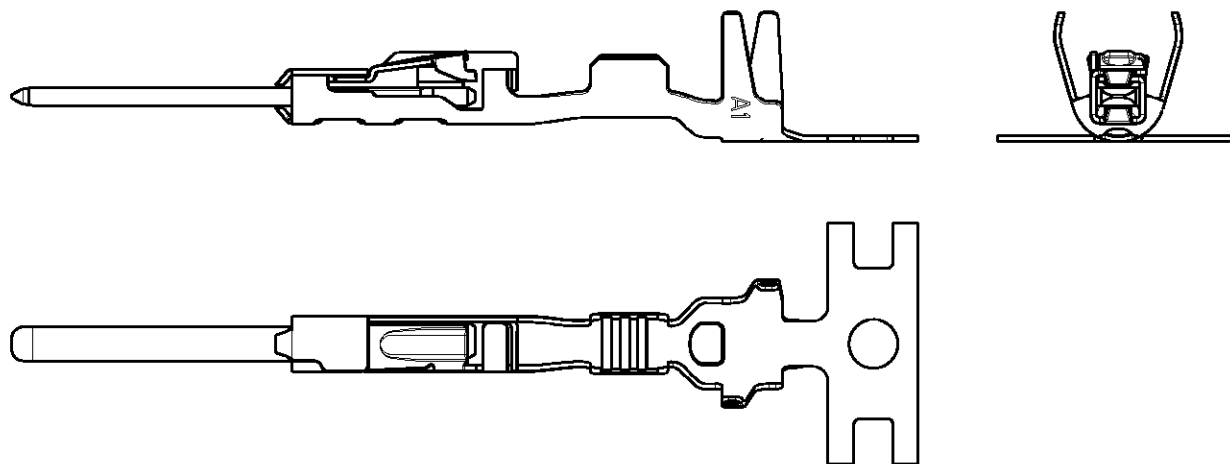


LOC	DIST	REVISIONS					
		P	LTR	DESCRIPTION	DATE	DWN	APVD
A1	-		A1	NEW DRAWING	27MAR07	R.M.	-



REFER TO PRODUCT GROUP DRAWING 1418754  
FOR LATEST INFORMATION ON THE PART


Für aktuelle Information zum Teil wird auf die  
Produkt - Gruppenzeichnung 1418754 hingewiesen

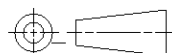
2001

RELEASED FOR PUBLICATION

THIS DRAWING IS UNPUBLISHED.

© COPYRIGHT 2001 BY TYCO ELECTRONICS CORPORATION. ALL RIGHTS RESERVED.

DIMENSIONS: mm	DWN	R. Liebing	27MAR07	MATERIAL	-	FINISH	-
	CHK	R. Meier	27MAR07	 tyco Electronics AMP GmbH D - 64625 Bensheim			
TOLERANCES UNLESS OTHERWISE SPECIFIED:	APVD	-	-				
0 PLC ±	PRODUCT SPEC	-	NAME	TAB CONTACT 1.2MM - SWS Flachstecker 1.2mm - EDS			
1 PLC ±	APPLICATION SPEC	-	SIZE	CAGE CODE	DRAWING NO	RESTRICTED TO	
2 PLC ±	WEIGHT	-	A 4	00779	©=1718760	-	
3 PLC ±	CUSTOMER DRAWING		SCALE	4:1	SHEET	1 OF 1	REV A1
4 PLC ±							
ANGLES ±							



单击下面可查看定价，库存，交付和生命周期等信息

[>>TE Connectivity\(泰科\)](#)