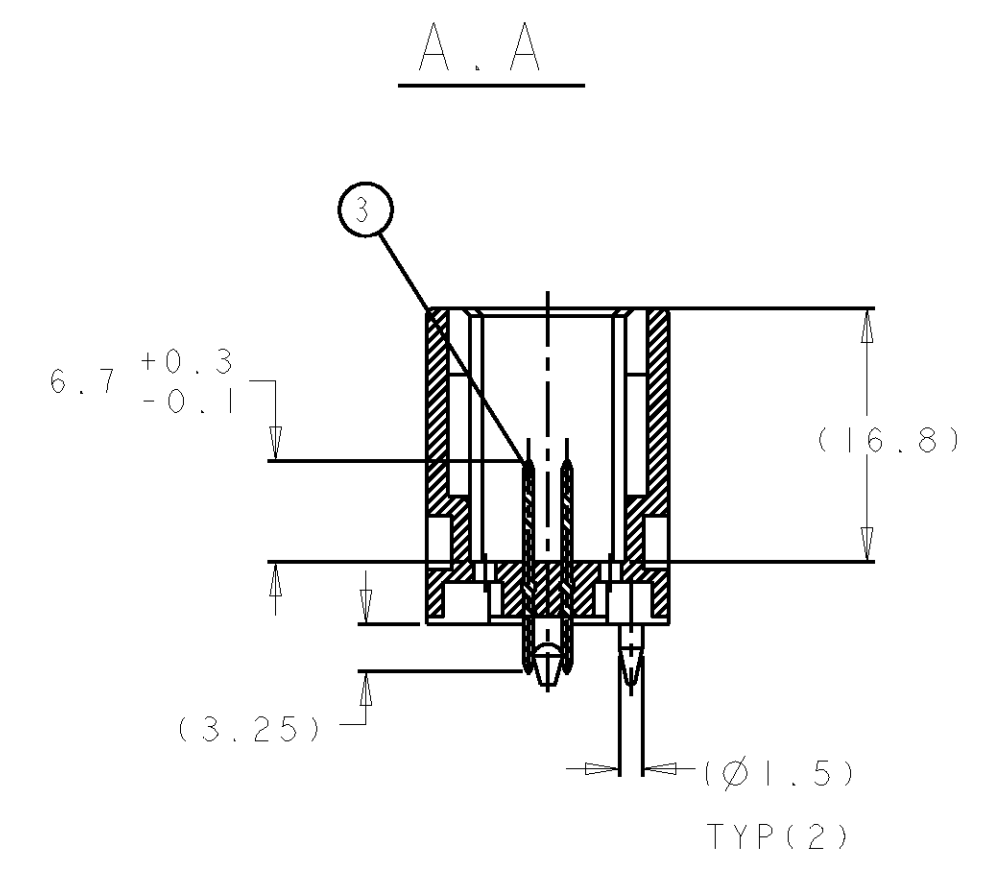
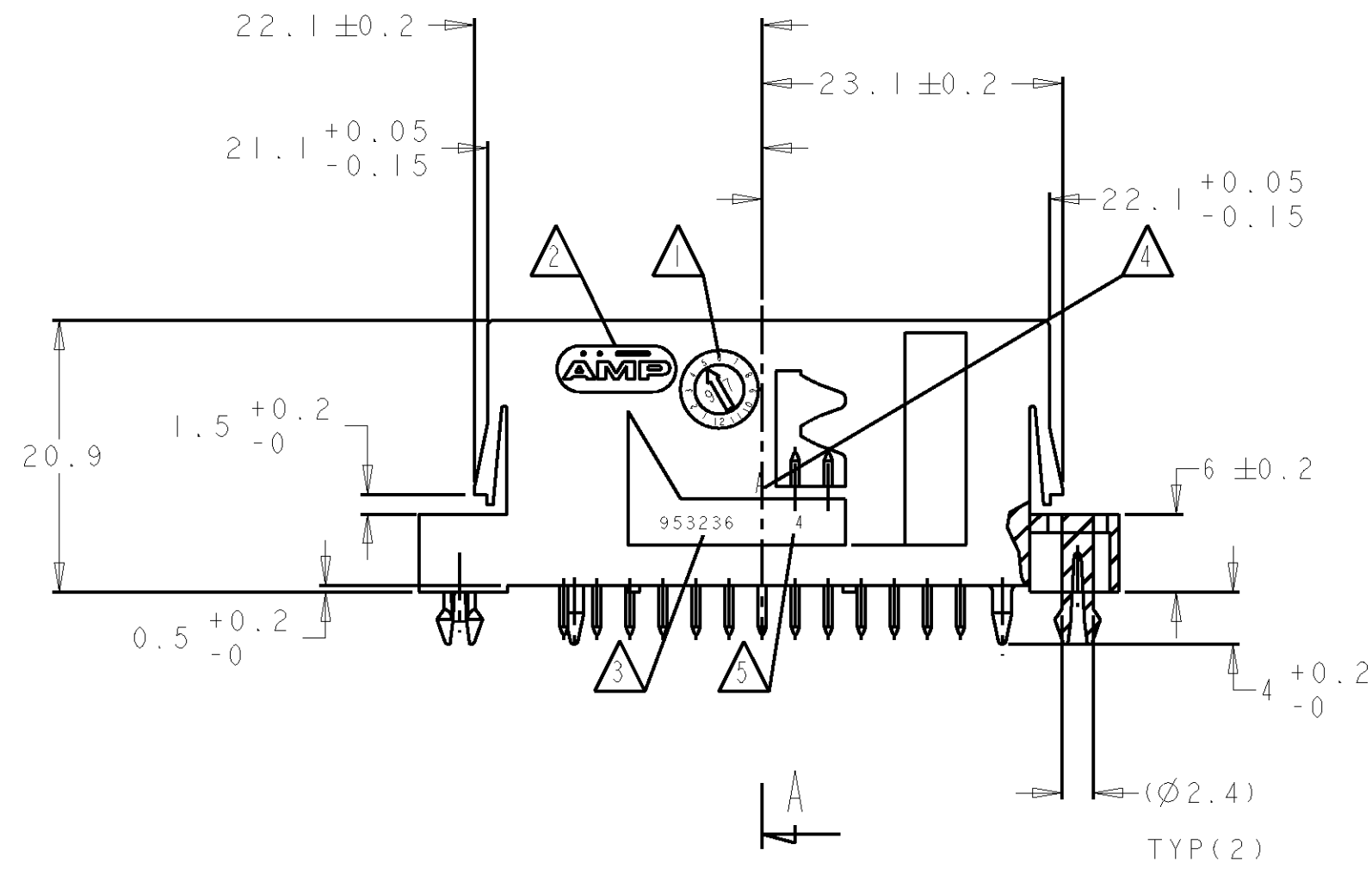
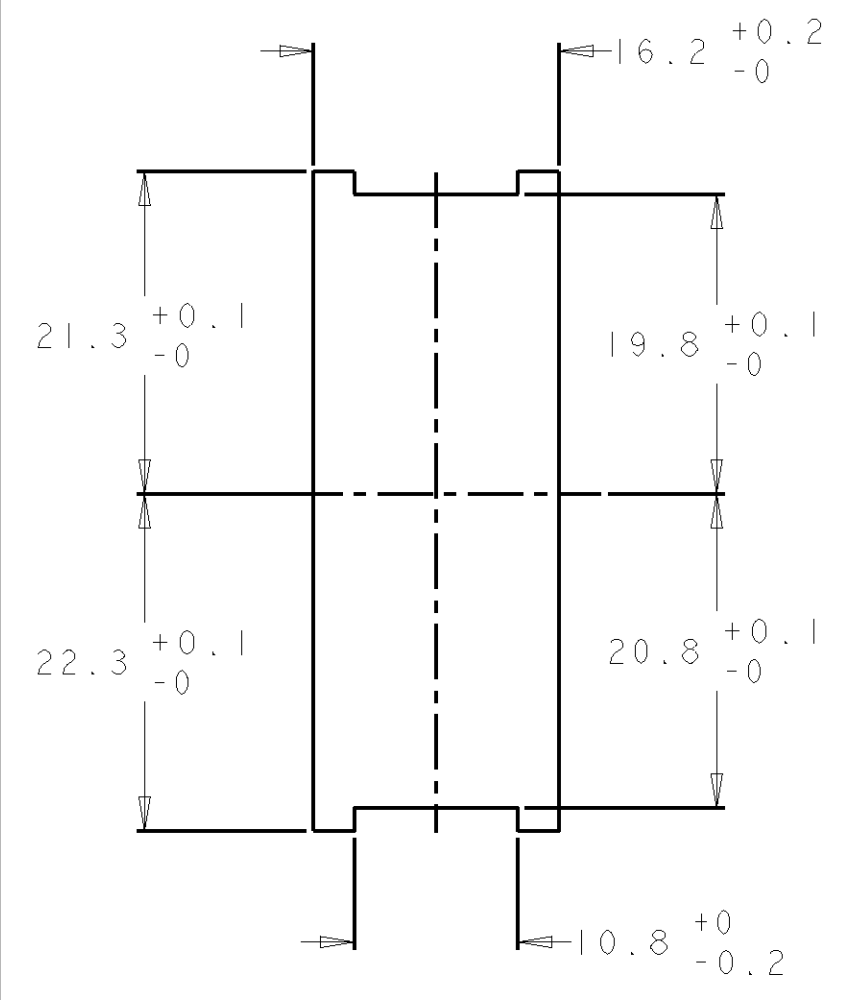


THIS DRAWING IS UNPUBLISHED. RELEASED FOR PUBLICATION  
 © COPYRIGHT 20 BY TYCO ELECTRONICS CORPORATION. ALL RIGHTS RESERVED.

LOC		DIST		REVISIONS			
P	LTR	DESCRIPTION	DATE	DWN	APVD		
A		MISE A JOUR	FEV-98	JLQ	-		
B		MISE A JOUR MAROUAGE PIECE	MAR-99	JLQ	-		
C		PRE-TINNED PINS	30-OCT-07	M.V	J.L		

RECOMMANDATION DECOUPE PANNEAU  
 RECOMMENDED PANEL CUTOUT

VUE DE DESSUS / VIEW FROM TOP

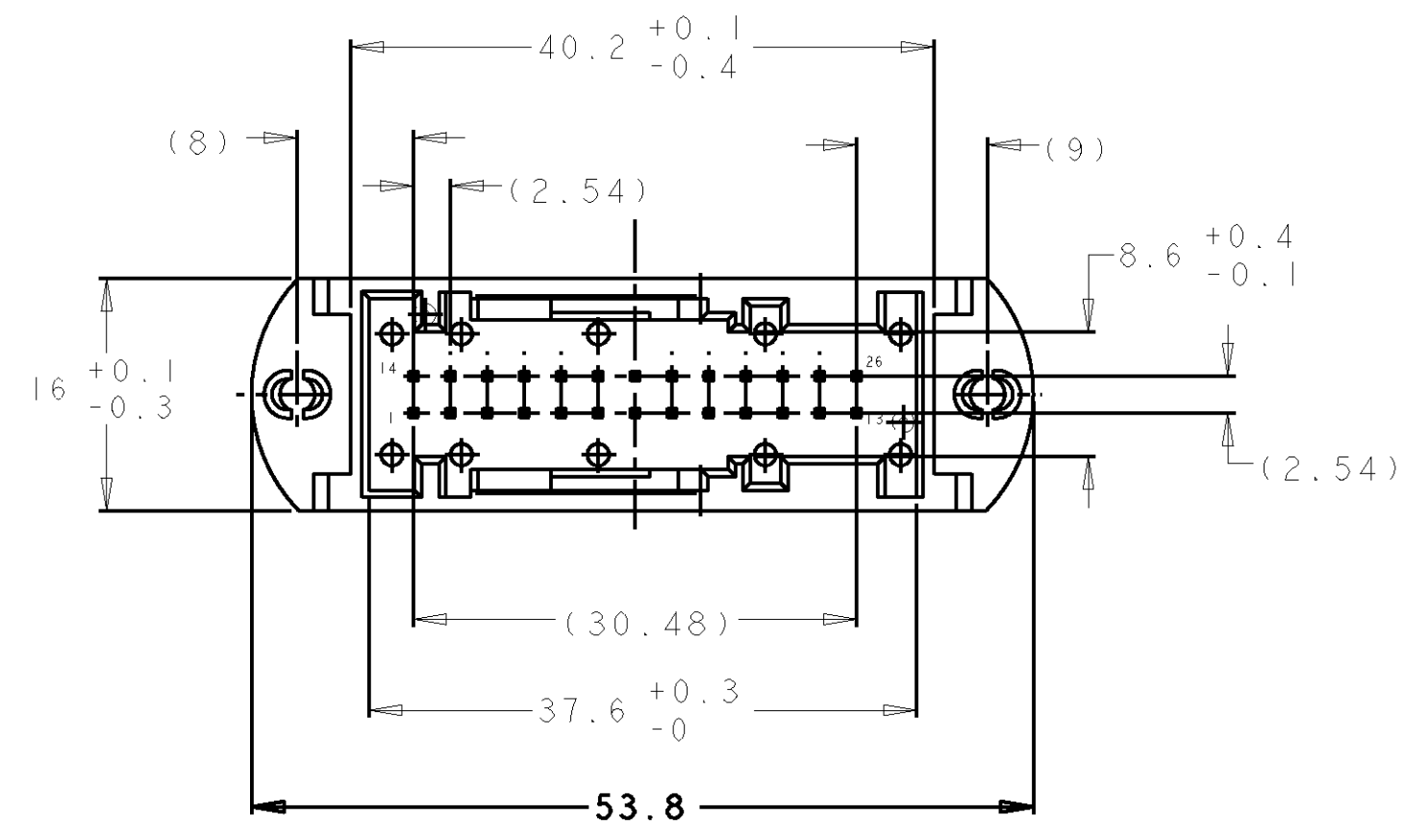
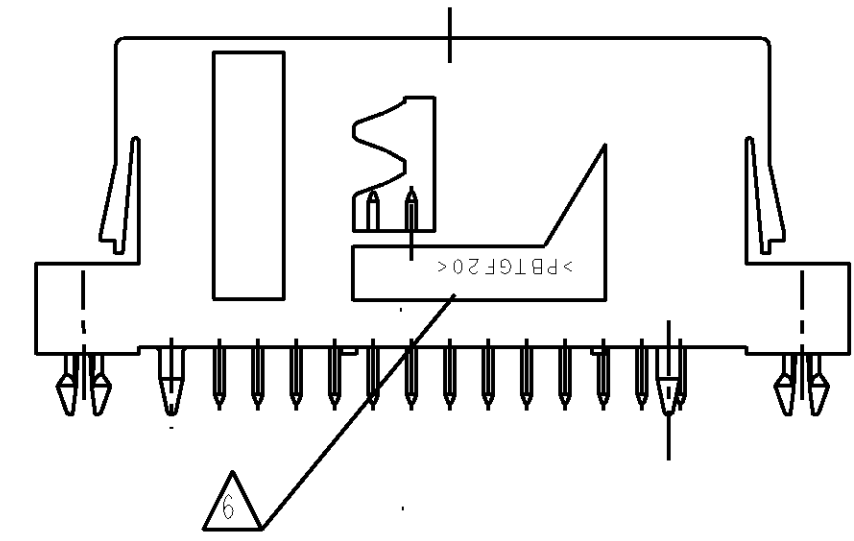


MARQUAGES:

- 1 DATE CODE
- 2 LOGO D'AMP
- 3 REFERENCE DU PRODUIT ASSEMBLE
- 4 REVISION DU MOULE
- 5 N° D'EMPREINTE DU MOULE
- 6 MATIERE

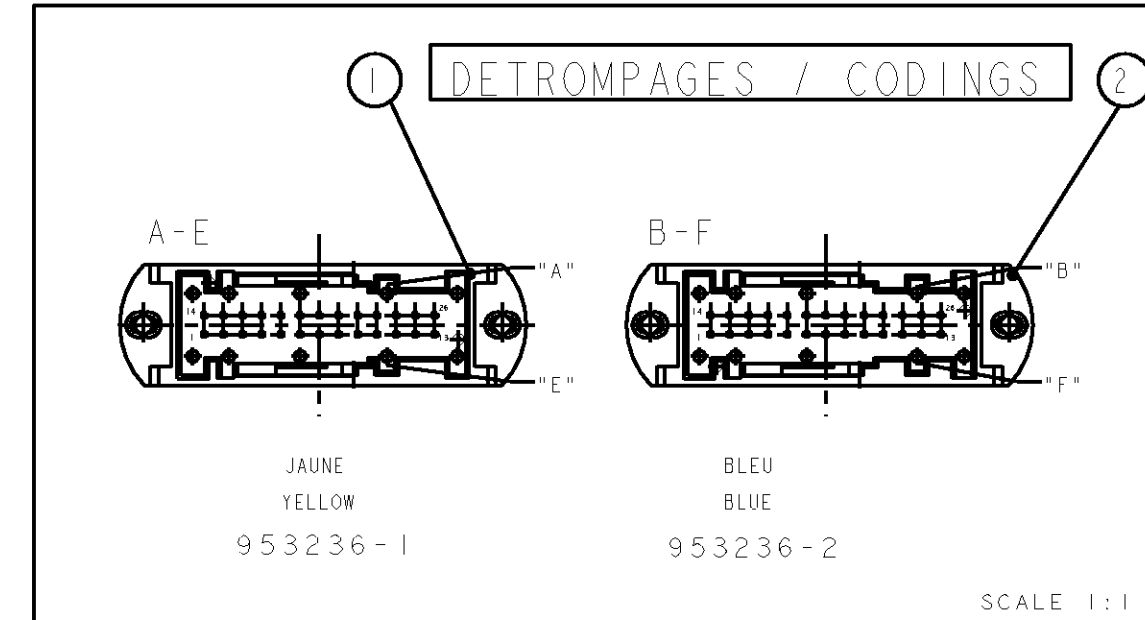
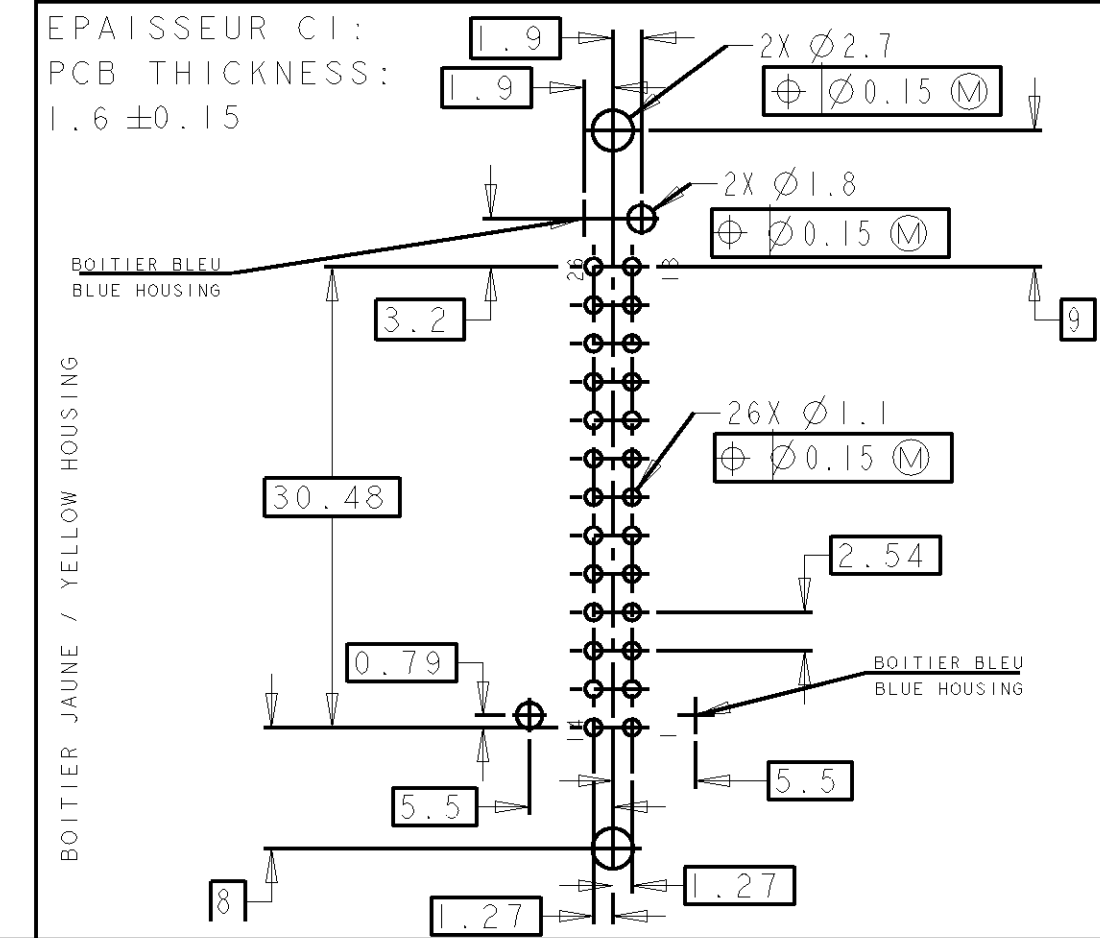
MARKING:

- 1 DATE CODE
- 2 AMP LOGO
- 3 ASSY PART NUMBER
- 4 REVISION STATUS
- 5 CAVITY MARKING
- 6 MATERIAL REFERENCE



RECOMMANDATION IMPLANTATION CI  
 RECOMMENDED PCB DETAILS

VUE DE DESSUS / VIEW FROM TOP



THIS DRAWING IS A CONTROLLED DOCUMENT FOR TYCO ELECTRONICS CORPORATION. IT IS SUBJECT TO CHANGE AND THE CONTROLLING ENGINEERING ORGANIZATION SHOULD BE CONTACTED FOR THE LATEST REVISION.

DIMENSIONS:	TOLERANCES UNLESS OTHERWISE SPECIFIED:
mm	0 PLC ±
	1 PLC ±0.3
	2 PLC ±
	3 PLC ±
	4 PLC ±
	ANGLES ±5°
MATERIAL:	FINISH:
SEE TABLE	SEE TABLE

DWN	J. LAQUERBE	29-SEP-97	Tyco Electronics France SAS 95300 Pontoise, France
CHK	J. LAQUERBE	19-APR-99	
APVD	D. MIYU	19-APR-99	
PRODUCT SPEC	108-15181		
APPLICATION SPEC			NAME: EMBASE 26V MQS DROITE AVEC BOARD-LOCKS 26W MQS STRAIGHT HEADER WITH BOARD-LOCKS
WEIGHT	7.5 g	SIZE	CAGE CODE: A200779 DRAWING NO: C-953236
CUSTOMER DRAWING		SCALE	2:1
		SHEET	1 OF 1
		REV	C

REF / ASSY PN	QTY	MATERIAL	DESIGNATION / NAME	COULEUR / COLOR	REP
953236-1	26	CuSn6	CONTACT MQS 0.63X0.63	PRE ETAME / PRE-TIN	3
953236-2	-	PBT GF20	BOITIER / HOUSING	BLEU / BLUE	2
	1	PBT GF20	BOITIER / HOUSING	JAUNE / YELLOW	1

单击下面可查看定价，库存，交付和生命周期等信息

[>>TE Connectivity\(泰科\)](#)