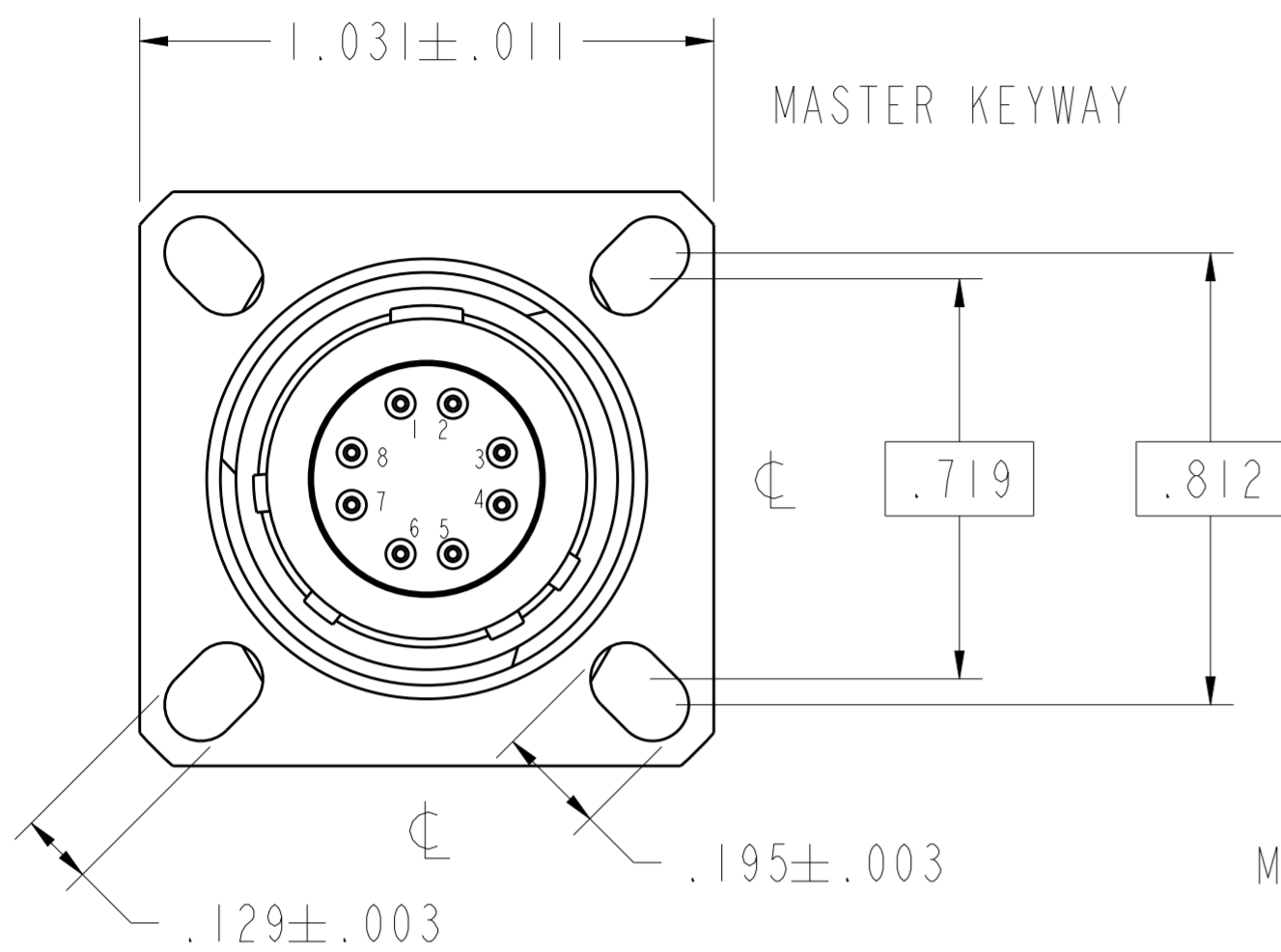


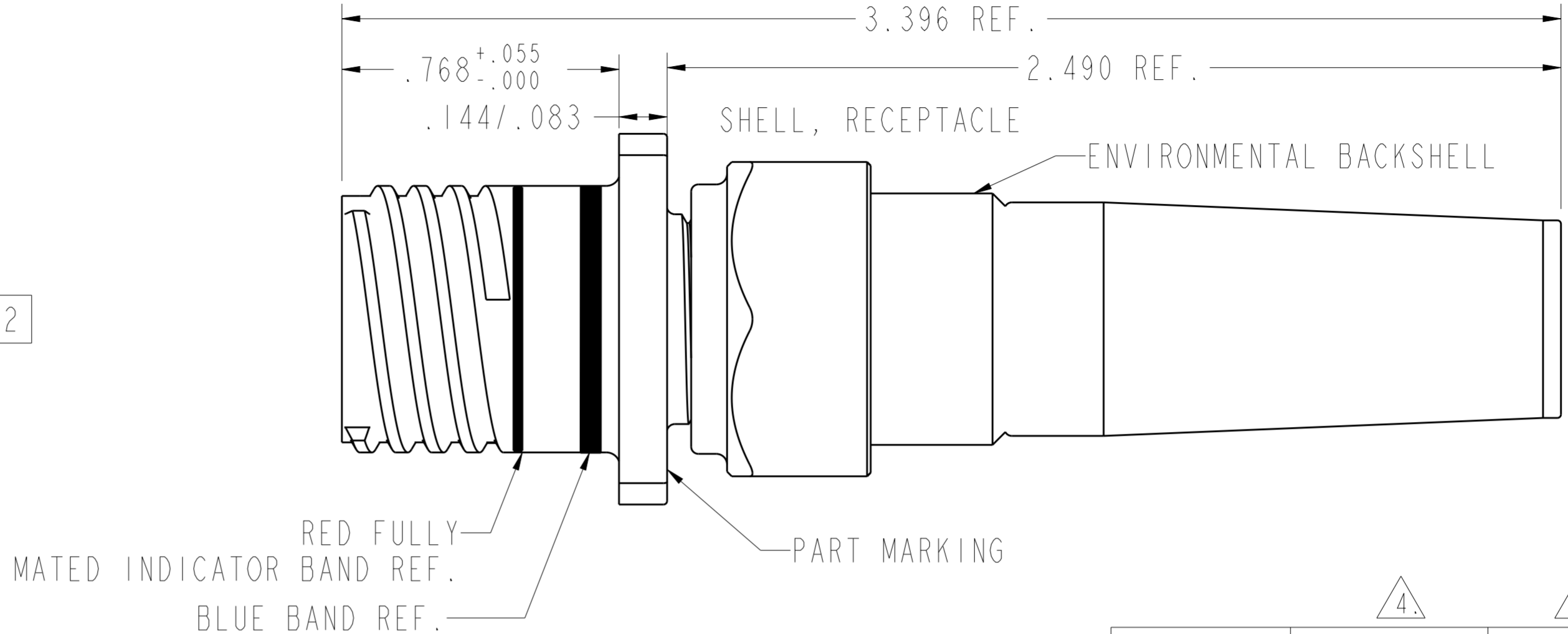
THIS DRAWING IS UNPUBLISHED. RELEASED FOR PUBLICATION 20
 © COPYRIGHT 20 ALL RIGHTS RESERVED.

PROPERTY OF THE TE CONNECTIVITY
 THIS INFORMATION IS CONFIDENTIAL AND PROPERTY TO TYCO ELECTRONICS CORPORATION
 AND ITS WORLDWIDE SUBSIDIARIES AND AFFILIATES (TE). IT MAY NOT BE DISCLOSED TO
 ANYONE, OTHER THAN TE PERSONNEL, WITHOUT AUTHORIZATION FROM TE (www.TE.com).

LOC		DIST		REVISIONS			
P	LTR	DESCRIPTION	DATE	DWN	APVD		
	A	NEW RELEASE PER ECO-16-000996	160121	JPF	JPF		



PIN INSERT MARKING SHOWN ABOVE



CFX20 (x)₁ 1108 (x)₂ Z (x)₃ xxx

MODIFICATION

KEYING POSITION:
N, A, B, C, D, E

CONTACT TERMINATION:
Z = CRIMPED CONTACT
A THROUGH Y = EXTENDED CONTACT
(SEE SHEET 2)

CONTACT FINISH:
P = PIN LOCALIZED GOLD FINISH
S = SOCKET LOCALIZED GOLD FINISH
F = PIN FULL GOLD FINISH
G = SOCKET FULL GOLD FINISH
H = PIN HI REL FINISH
J = SOCKET HI REL FINISH
A = LESS PIN CONTACT
B = LESS SOCKET CONTACT

SHELL SIZE/INSERT ARRANGMENT

PLATING/SHELL MATERIAL:
SEE TABLE

BASIC IDENTIFIER

PART NUMBER (x) ₁	PLATING	SHELL MATERIAL
M	NICKEL	COMPOSITE
J	O.D. CAD	COMPOSITE
F	NICKEL	ALUMINUM
W	O.D. CAD	ALUMINUM
S	NICKEL	STAINLESS STEEL
T	TEFLON NICKEL	ALUMINUM
Z	BLACK ZINC NICKEL	ALUMINUM

SIZE 11 PART NUMBER(x) ₃	POS
CFX20x1108xZN	N
CFX20x1108xZA	A
CFX20x1108xZB	B
CFX20x1108xZC	C
CFX20x1108xZD	D
CFX20x1108xZE	E

6. COMPOSITE WEIGHT WITHOUT MODULES AND CABLE: 0.046 POUNDS.
 METAL WEIGHT WITHOUT MODULES AND CABLE: 0.078 POUNDS.
 PIN MODULE WEIGHT: .005 LBS.
 SOCKET MODULE WEIGHT: .011 LBS.

5. MATES WITH CFX26x1108xxx.

4. FINISH: SHELL/BACKSHELL - SEE TABLE.
 CONTACTS - SEE PART NUMBER BREAKDOWN.

3. MATERIAL: SHELL - SEE TABLE.
 BACKSHELL/ COUPLING RING - ALUMINUM ALLOY.
 CONTACTS - COPPER ALLOY.
 RESILIENT INSERTS/BACKSHELL GROMMET - SILICONE ELASTOMER.
 PLASTIC INSERTS - THERMOPLASTIC.

2. FOR AVAILABILITY CONSULT FACTORY.

1. ALL DIMENSIONS ARE IN INCHES UNLESS OTHERWISE SPECIFIED.

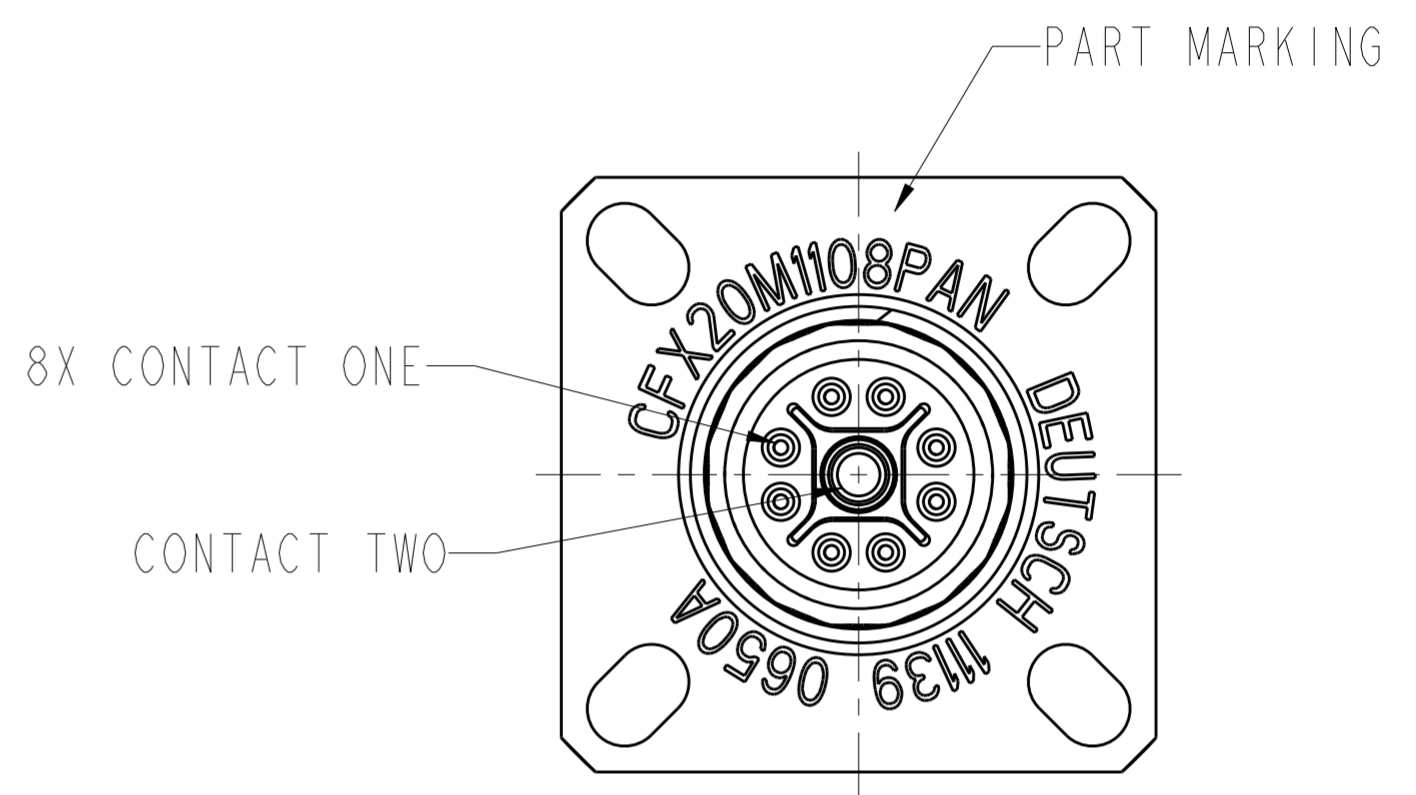
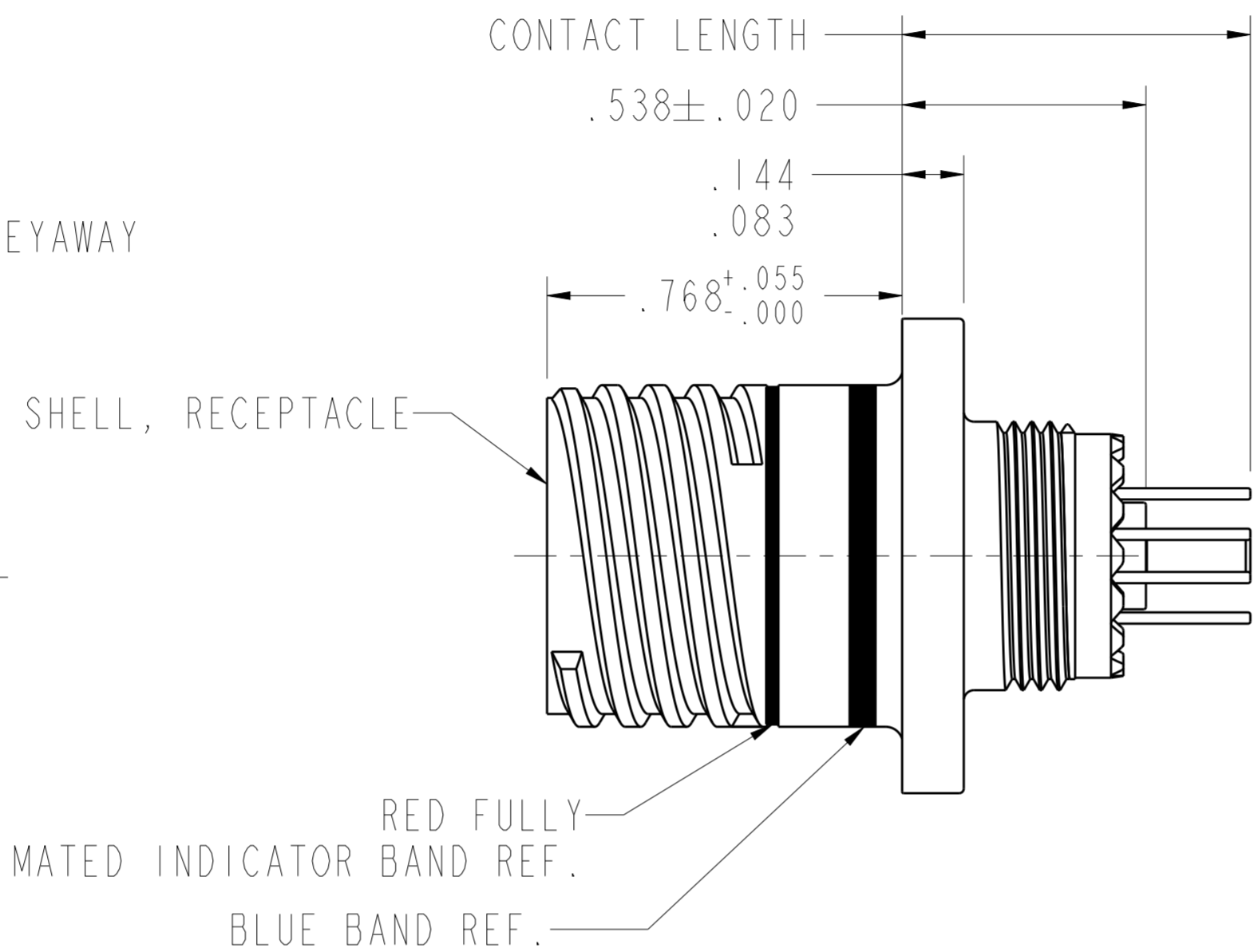
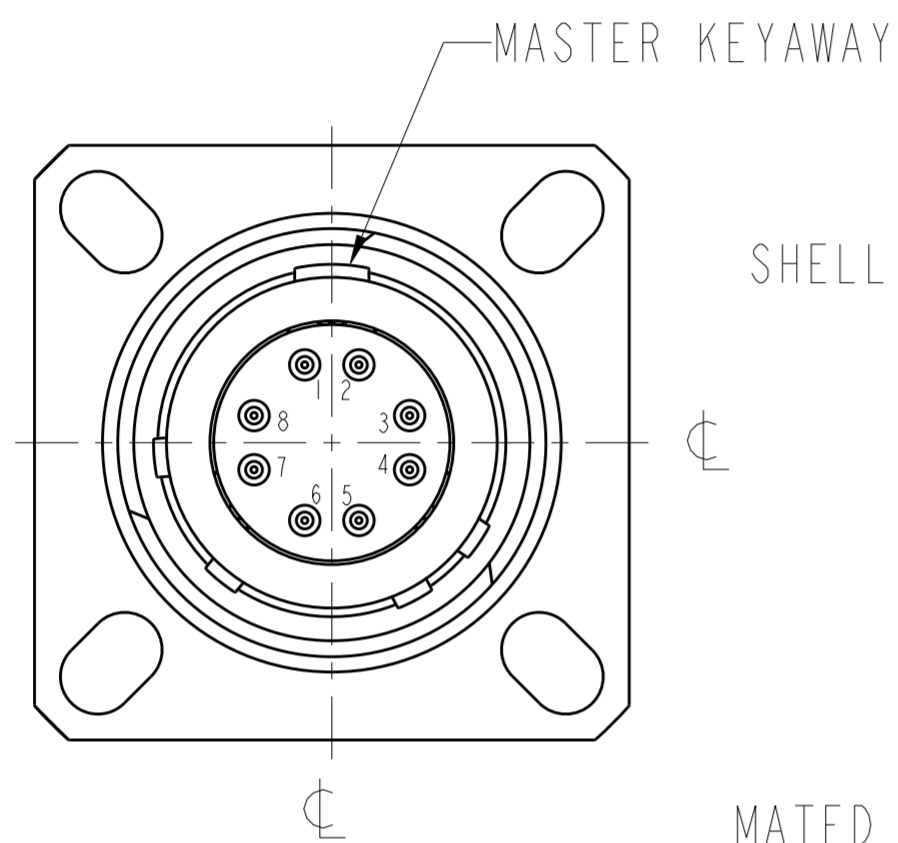
THIS DRAWING IS A CONTROLLED DOCUMENT.

DWN	JPF	140226	 TE Connectivity							
CHK	JPF	160122								
APVD	AR	160122								
NAME	CONNECTOR, RECEPTACLE SQUARE FLANGE 1108 ARRANGEMENT									
DIMENSIONS:	INCH		SIZE	A2	CAGE CODE	11139	DRAWING NO	CFX20x1108xxx	RESTRICTED TO	-
TOLERANCES UNLESS OTHERWISE SPECIFIED:		0 PLC ±1	WEIGHT		-		CUSTOMER DRAWING		SCALE	1.000
1 PLC ±0.1		MATERIAL		-		SHEET		1	OF	3
2 PLC ±0.01		FINISH		-		REV		A		
3 PLC ±0.005		-		-		-		-		-
4 PLC ±0.0005		-		-		-		-		-
ANGLES ±0.5		-		-		-		-		-

THIS DRAWING IS UNPUBLISHED. RELEASED FOR PUBLICATION 20
 © COPYRIGHT 20 ALL RIGHTS RESERVED.

PROPERTY OF THE TE CONNECTIVITY
 THIS INFORMATION IS CONFIDENTIAL AND PROPERTY TO TYCO ELECTRONICS CORPORATION
 AND ITS WORLDWIDE SUBSIDIARIES AND AFFILIATES (TE). IT MAY NOT BE DISCLOSED TO
 ANYONE, OTHER THAN TE PERSONNEL, WITHOUT AUTHORIZATION FROM TE (www.TE.com).

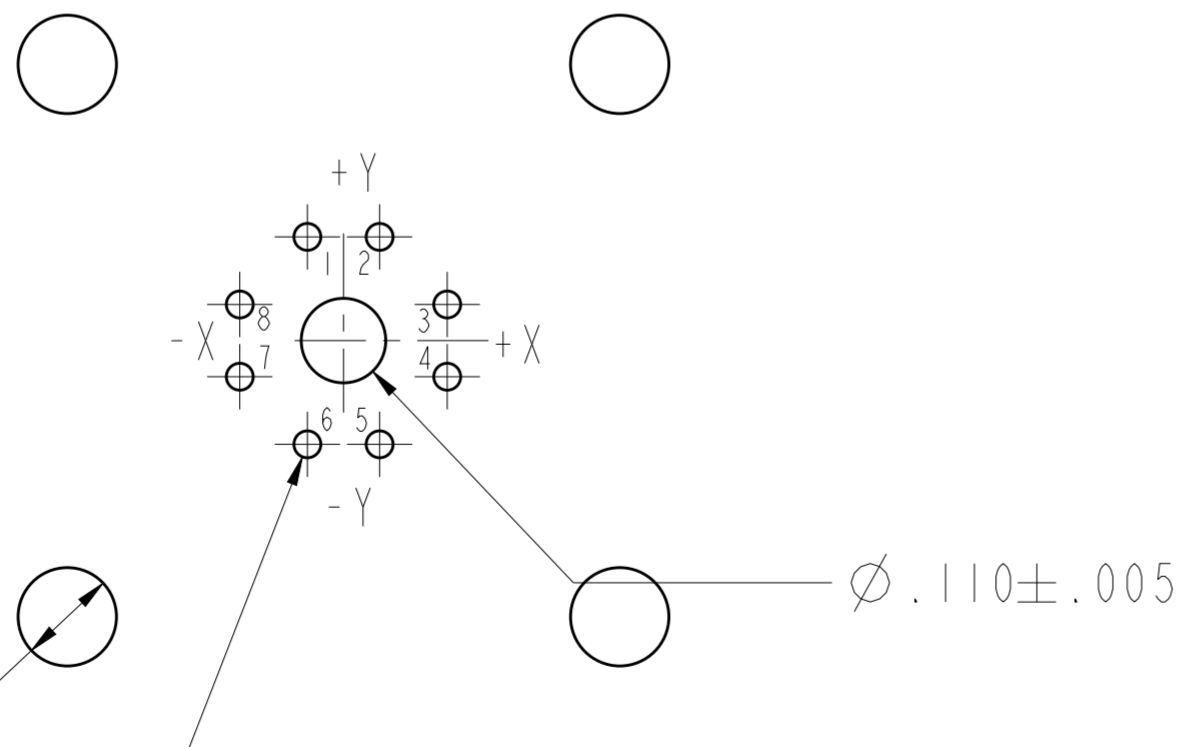
LOC		DIST		REVISIONS			
P	LTR	DESCRIPTION	DATE	DWN	APVD		
-	-	SEE SHEET 1	-	-	-		



PIN INSERT MARKING SHOWN ABOVE

RECEPTACLE WITH EXTENDED CONTACTS

INSERT ARRANGEMENT 1108 8 SIZE 22 CONTACTS		
CONTACT POSITION ID	LOCATION	
	X-AXIS	Y-AXIS
1	-.047	+.135
2	+.047	+.135
3	+.135	+.047
4	+.135	-.047
5	+.047	-.135
6	-.047	-.135
7	-.135	-.047
8	-.135	+.047



SIZE 11 SQUARE FLANGE
 FRONT PANEL MOUNTING.
 BOARD MOUNT LAYOUT
 PIN CAVITY LOCATIONS

CONTACT CONFIGURATION IDENTIFIER	CONTACT LENGTH ±.025	CONTACT ONE DIAMETER ±.003	CONTACT TWO DIAMETER ±.003	PLATING ON TAIL
A	.762	.025	.095	GOLD OVER NICKEL
B	TBD			
C	TBD			
D	TBD			

THIS DRAWING IS A CONTROLLED DOCUMENT.		DWN 140226	STE TE Connectivity	
DIMENSIONS: INCH		CHK 160122		
TOLERANCES UNLESS OTHERWISE SPECIFIED:		APVD 160122	NAME CONNECTOR, RECEPTACLE SQUARE FLANGE 1108 ARRANGEMENT	
0 PLC ±1		PRODUCT SPEC	SIZE A2	
1 PLC ±0.1		APPLICATION SPEC	CAGE CODE 111139	
2 PLC ±0.01		WEIGHT	DRAWING NO C-CFX20x1108xxx	
3 PLC ±0.005		CUSTOMER DRAWING	RESTRICTED TO	
4 PLC ±0.0005		SCALE 1.000	SHEET 1 OF 3	
ANGLES ±0.5			REV A	
FINISH				

4

3

2

1

THIS DRAWING IS UNPUBLISHED. RELEASED FOR PUBLICATION 20
 © COPYRIGHT 20 ALL RIGHTS RESERVED.

PROPERTY OF THE TE CONNECTIVITY
 THIS INFORMATION IS CONFIDENTIAL AND PROPERTY TO TYCO ELECTRONICS CORPORATION
 AND ITS WORLDWIDE SUBSIDIARIES AND AFFILIATES (TE). IT MAY NOT BE DISCLOSED TO
 ANYONE, OTHER THAN TE PERSONNEL, WITHOUT AUTHORIZATION FROM TE (www.TE.com).

LOC	DIST	REVISIONS			
P	LTR	DESCRIPTION	DATE	DWN	APVD
		SEE SHEET 1			

BACK PANEL MOUNTING

MAX DISTANCE BETWEEN MOUNTING SCREWS

FRONT PANEL MOUNTING

MAX DISTANCE BETWEEN MOUNTING SCREWS

THIS DRAWING IS A CONTROLLED DOCUMENT.		DWN	140226	STE TE Connectivity	
DIMENSIONS: INCH		CHK	160122		
TOLERANCES UNLESS OTHERWISE SPECIFIED:		APVD	160122	NAME CONNECTOR, RECEPTACLE SQUARE FLANGE 1108 ARRANGEMENT	
0 PLC ±1		PRODUCT SPEC		SIZE CAGE CODE DRAWING NO	
1 PLC ±0.1		APPLICATION SPEC		A2 11139 C-CFX20x1108xxx	
2 PLC ±0.01		WEIGHT		RESTRICTED TO	
3 PLC ±0.005		CUSTOMER DRAWING		SCALE 1.000 SHEET 1 OF 3 REV A	
4 PLC ±0.0005					
ANGLES ±0.5					
FINISH					

1471-9 (3/11)

Downloaded From Onevac.com

单击下面可查看定价，库存，交付和生命周期等信息

[>>TE Connectivity\(泰科\)](#)