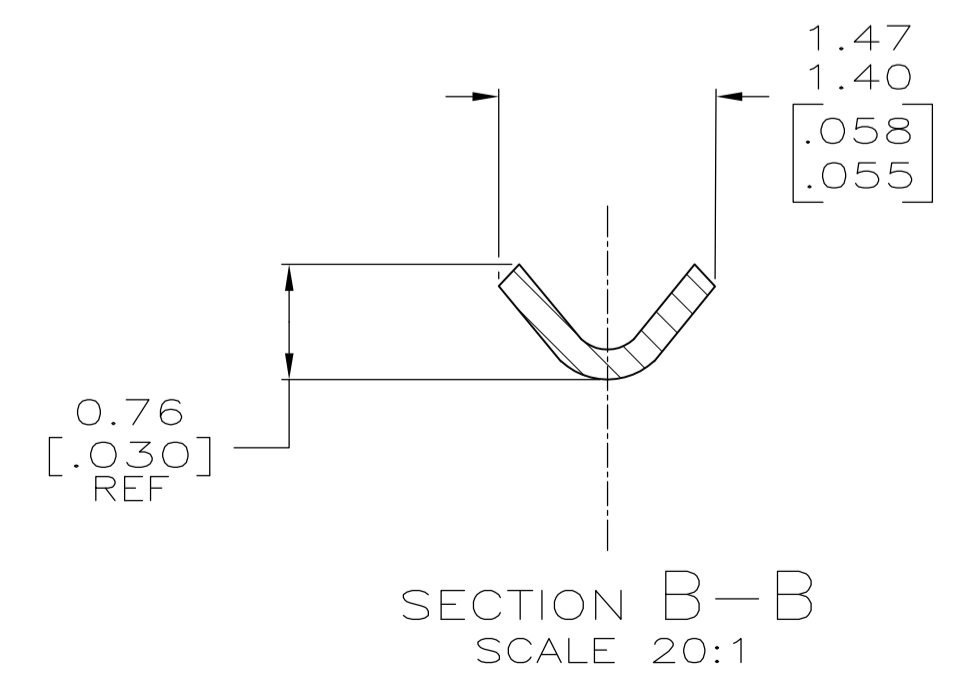
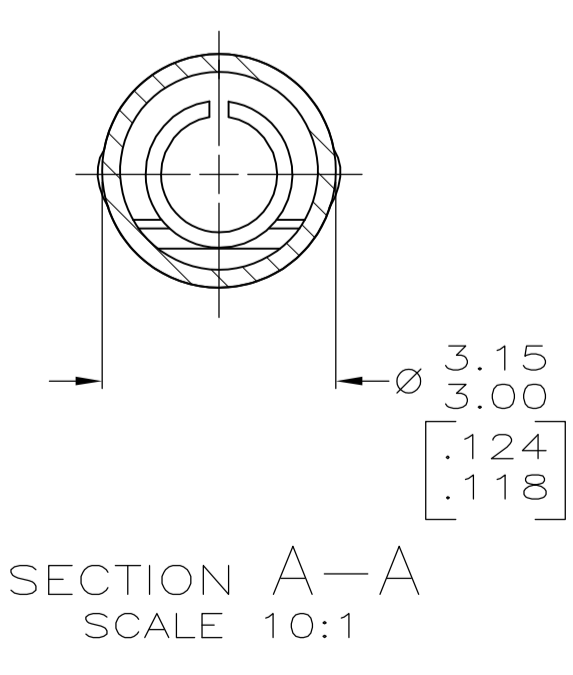
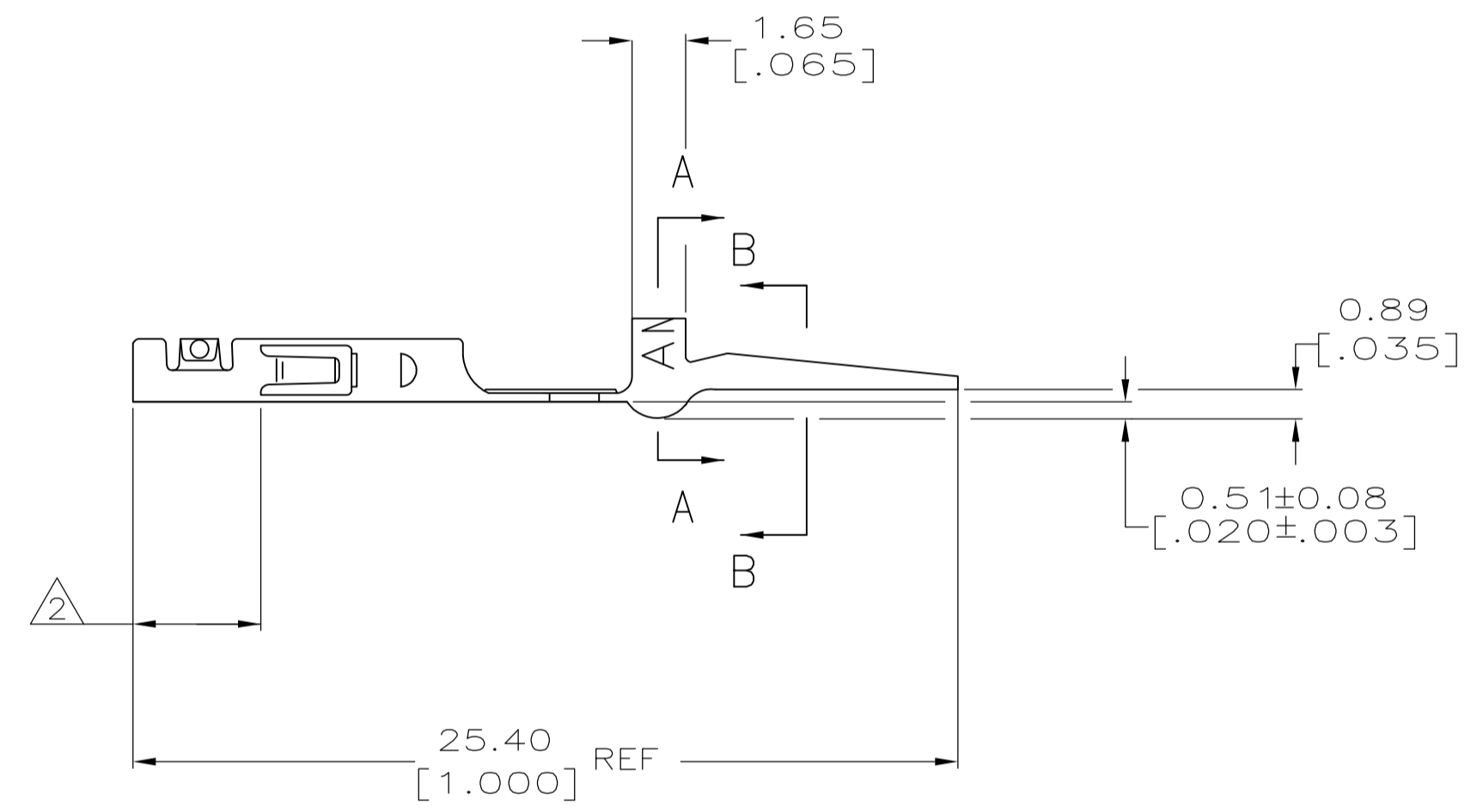
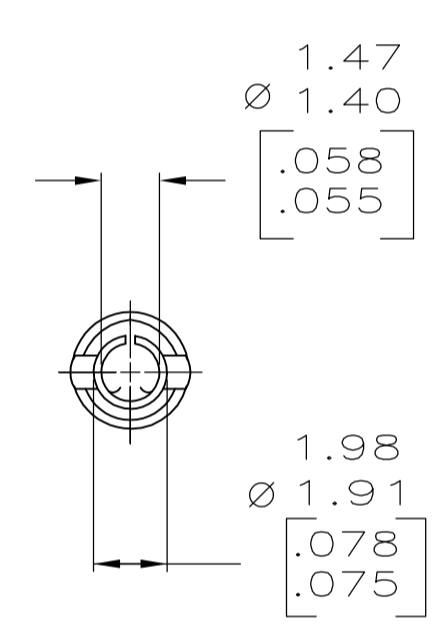


- DIMENSIONS IN BRACKETS ARE IN INCHES.
- 0.00076 [.000030] MIN GOLD STRIPE IN THIS AREA OVER 0.00127 [.000050] MIN NICKEL.
- USED WITH MRI AND MRII PLUG HOUSINGS.



OBSOLETE	GOLD STRIPE	0.20 [.008] PHOS BRZ	350838-2
	PRE-TIN	0.20 [.008] PHOS BRZ	350838-1
	FINISH	MATERIAL	PART NO

THIS DRAWING IS A CONTROLLED DOCUMENT.		DIN K SALMON 3-21-95	TE Connectivity	
DIMENSIONS: mm(INCHES)		CHK R SWING 3-21-95		
TOLERANCES UNLESS OTHERWISE SPECIFIED:		APVD W LONG 3-21-95	NAME	
0 PLC ± -	1 PLC ± -	PRODUCT SPEC	MR .058 SOCKET, WITH SOLDER TAIL	
2 PLC ± -	3 PLC ± 0.13 (.005)	APPLICATION SPEC	SIZE CAGE CODE DRAWING NO	
4 PLC ± -	ANGLES ± -	WEIGHT	RESTRICTED TO	
MATERIAL SEE TABLE	FINISH SEE TABLE	SCALE 5:1	SHEET 1 OF 1 REV H	
CUSTOMER DRAWING		A1 00779 C=350838		

单击下面可查看定价，库存，交付和生命周期等信息

[>>TE Connectivity\(泰科\)](#)