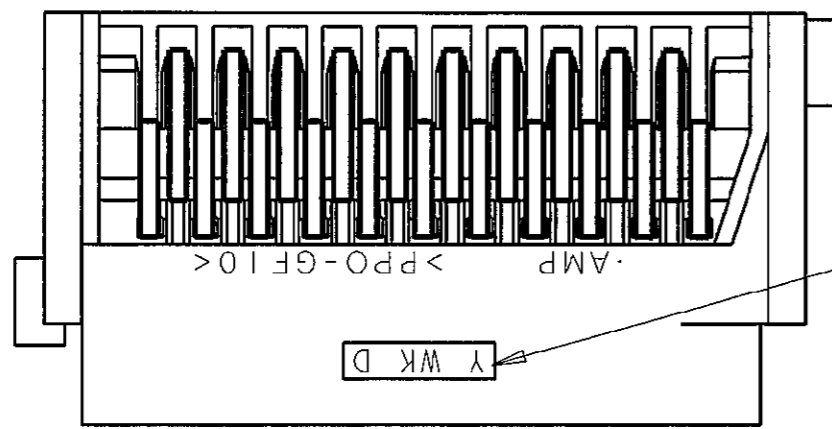
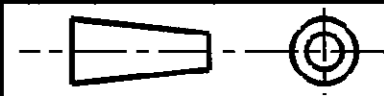
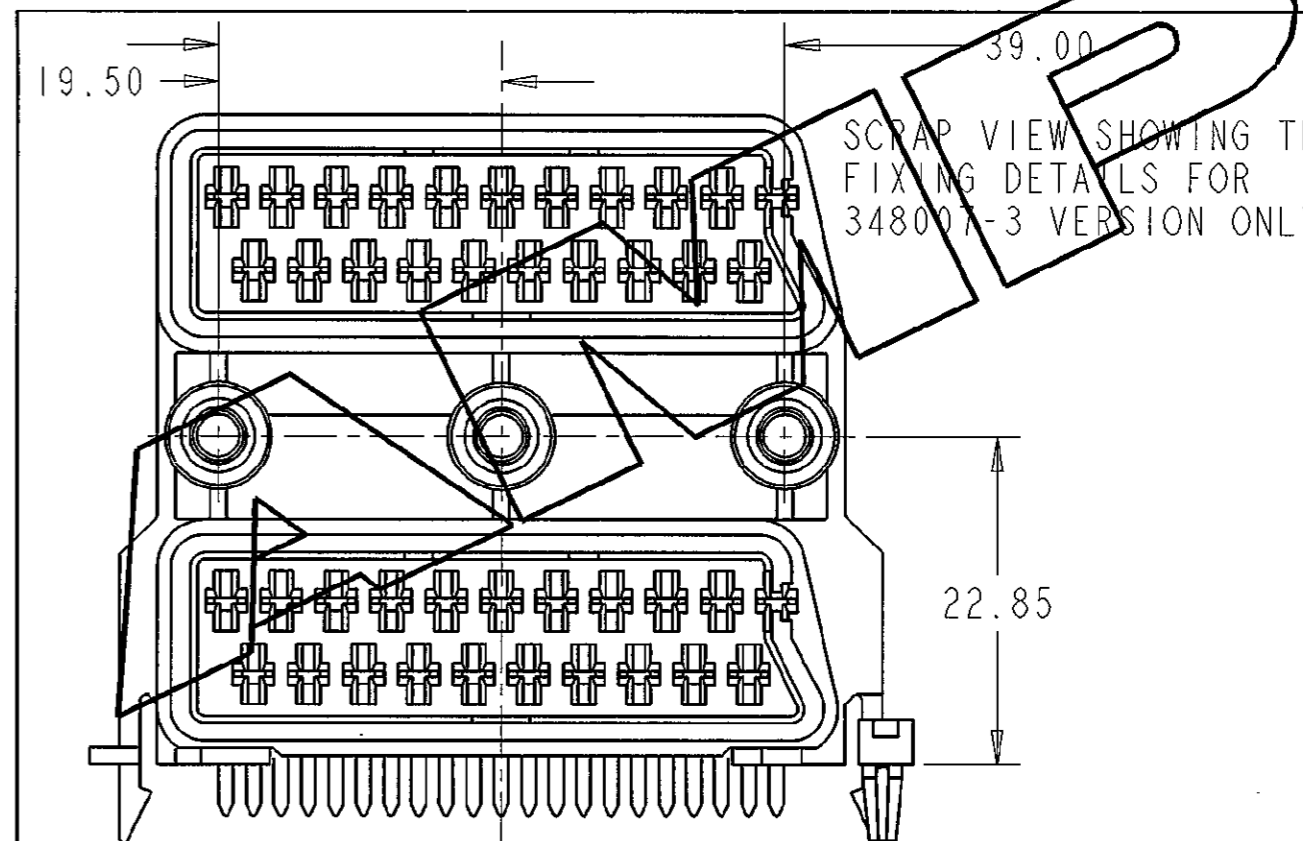
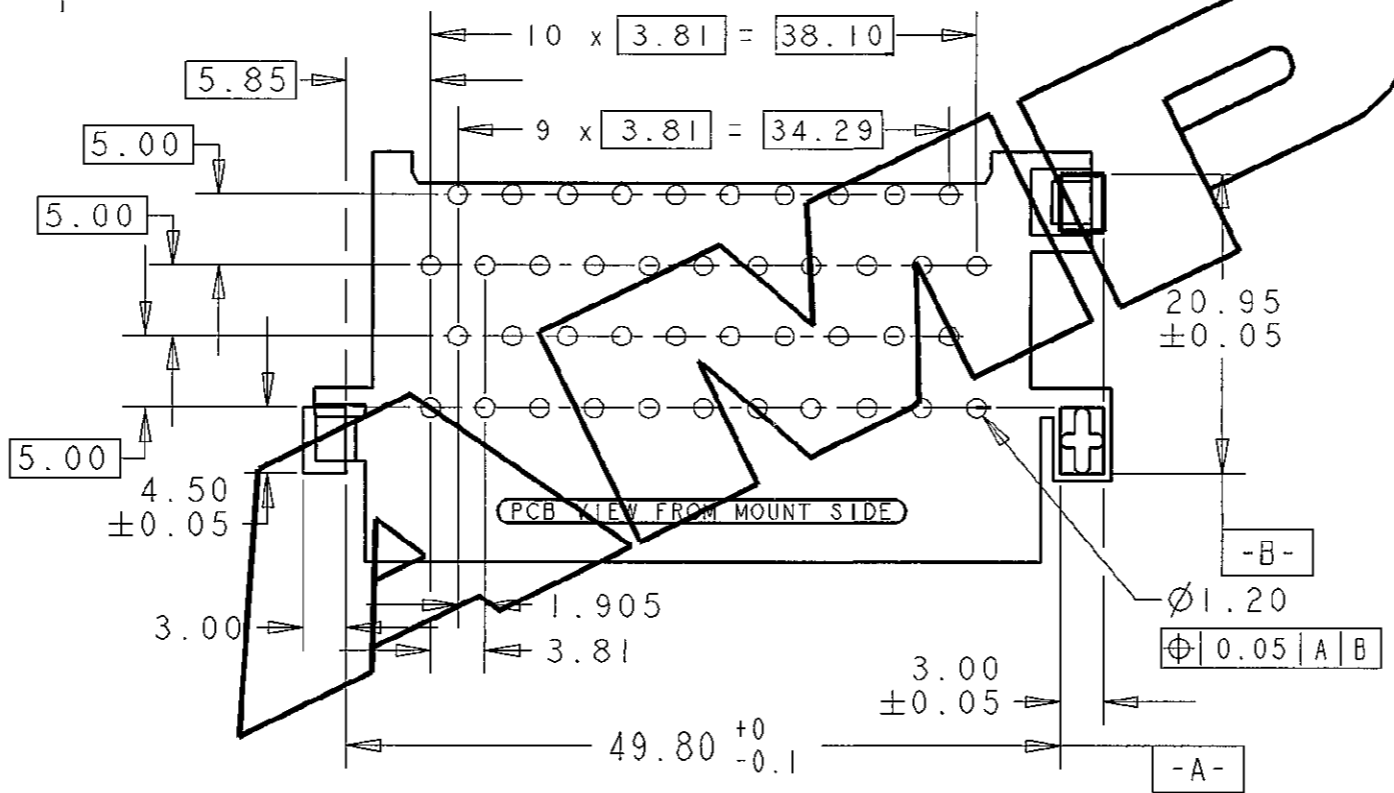
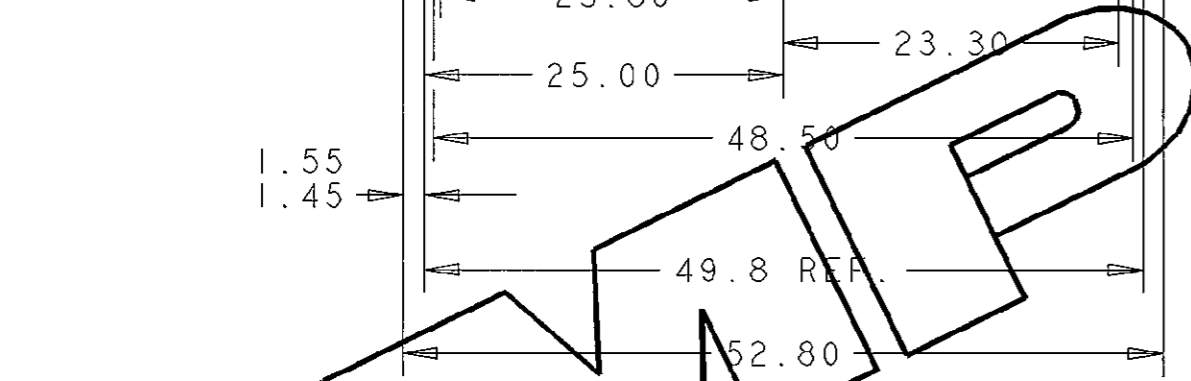
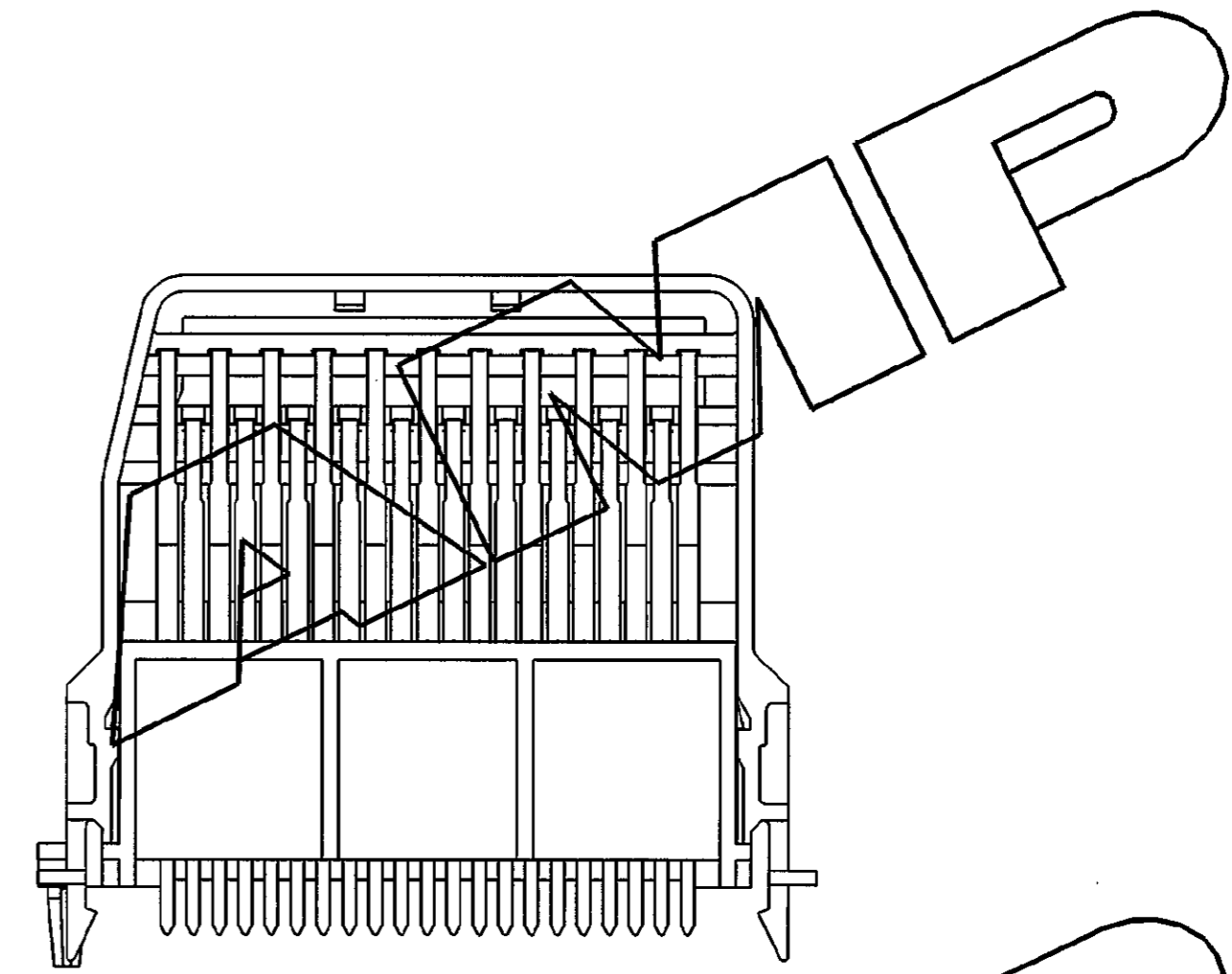
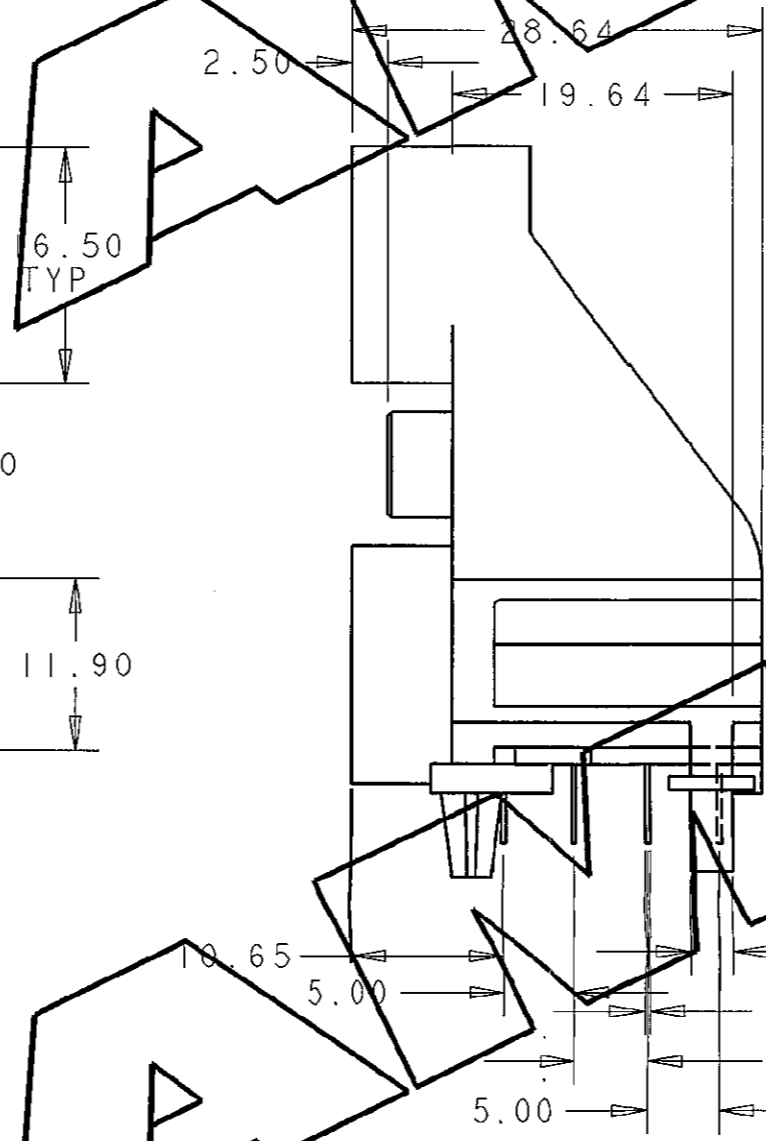
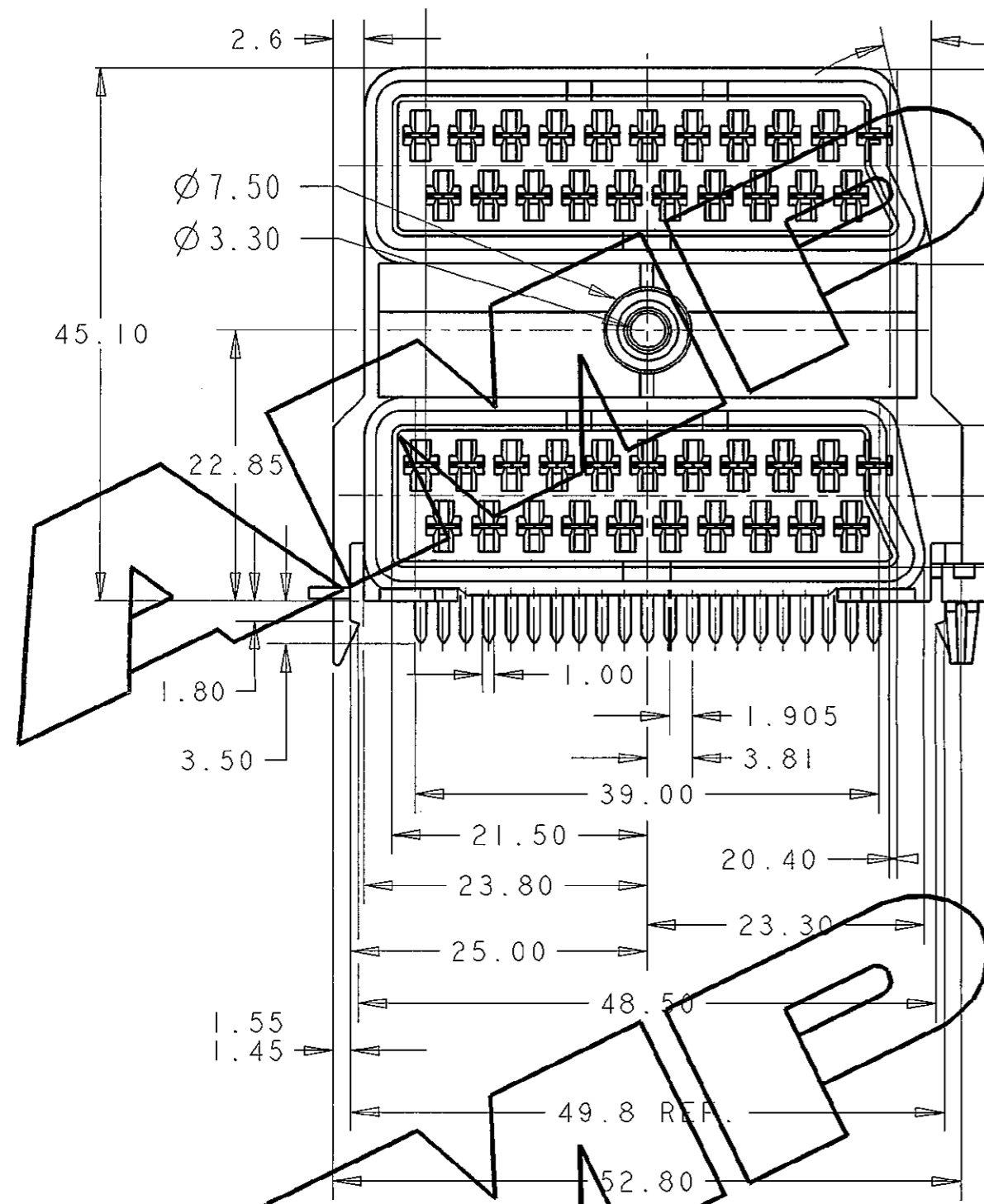


DO NOT SCALE

DIMENSIONS IN MM.



DUAL SCART CONNECTOR TO BE MARKED WITH YEAR WEEK DAY OF MANUFACTURE IN LOCATION INDICATED.



SCRAP VIEW SHOWING THREE FIXING DETAILS FOR 348007-3 VERSION ONLY.

DUAL SCART CONNECTOR THREE FIXING VERSION		348007-3	
DUAL SCART CONNECTOR SINGLE FIXING VERSION		348007-2	
DUAL SCART CONNECTOR SINGLE FIXING VERSION		348007-1	
DESCRIPTION		PART NUMBER	
CUSTOMER DWG FOR REFERENCE ONLY		RELEASED FOR PUBLICATION	
COPYRIGHT 1994 BY AMP OF GREAT BRITAIN LTD. ALL INTERNATIONAL RIGHTS RESERVED. ALL PRODUCTS MAY BE COVERED BY BRITISH AND FOREIGN PATENTS AND/OR PATENTS PENDING.		17 OCT 1997	
TOLERANCES UNLESS OTHERWISE STATED : DEC ± 0.5 ANGLES ± 1°		DR. J. BROOK	
		CH. J. AMBROSE	
		APP. C. KAMINSKI	
AMP of Great Britain Ltd.		TERMINAL HOUSE STANNORE MIDDX.	
NAME: DUAL SCART ASSY SINGLE FIXING VERSION		SCALE: 2/1	
LOC: E		SIZE: A2	
DWG. No.: C348007		REV: 01	
DATE: 17/10/97		SHEET: 1/1	
APPROVED: J. BROOK		CHANGE No.:	

单击下面可查看定价，库存，交付和生命周期等信息

[>>TE Connectivity\(泰科\)](#)