

THIS DRAWING IS UNPUBLISHED. RELEASED FOR PUBLICATION N/A, N/A
 © COPYRIGHT N/A BY TYCO ELECTRONICS CORPORATION. ALL RIGHTS RESERVED.

| LOC | DIST | REVISIONS | | | |
|-----|------|-------------|-------|-----|------|
| P | LTR | DESCRIPTION | DATE | DWN | APVD |
| DF | XO | O RELEASED | 11-02 | JMK | JL |

| COMPONENT | MATERIAL | FINISH |
|----------------|---|----------------------------|
| COUPLING NUT | STAINLESS STEEL PER ASTM-A-484 OR ASTM-A-582 TYPE 303 | PASSIVATED PER ASTM-A-380 |
| DIELECTRIC | PTFE FLUOROCARBON PER ASTM-D-1457 | - |
| CENTER CONTACT | BERYLLIUM COPPER PER ASTM-B-194 ALLOY C17200, CONDITION H | GOLD PLATED PER ASTM-B-488 |
| HOUSING CAP | STAINLESS STEEL PER ASTM-A-484 OR ASTM-A-582 TYPE 303 | GOLD PLATED PER ASTM-B-488 |
| GASKET | SILICONE RUBBER PER ZZ-R-765 | - |
| RETAINING RING | BERYLLIUM COPPER PER ASTM-B-194 ALLOY C17200, CONDITION H | - |

ENVIRONMENTAL

TEMPERATURE RATING: -65°C TO +165°C
 VIBRATION: MIL-STD-202, METHOD 204, CONDITION D
 SHOCK: MIL-STD-202, METHOD 213, CONDITION 1
 MOISTURE RESISTANCE: MIL-STD-202, METHOD 106
 CORROSION: MIL-STD-202, METHOD 101, CONDITION B. 5% SALT SPRAY
 THERMAL SHOCK: MIL-STD-202, METHOD 107, CONDITION B EXCEPT HIGH TEMP 115°C

MECHANICAL

INTERFACE DIMENSIONS: MIL-STD-348A FIG. 310.1
 RECOMMENDED MATING TORQUE: 7-10 IN-LBS
 FORCE TO ENGAGE & DISENGAGE (IN-LBS MAX): 2.0
 WEIGHT (GRAMS): TBD

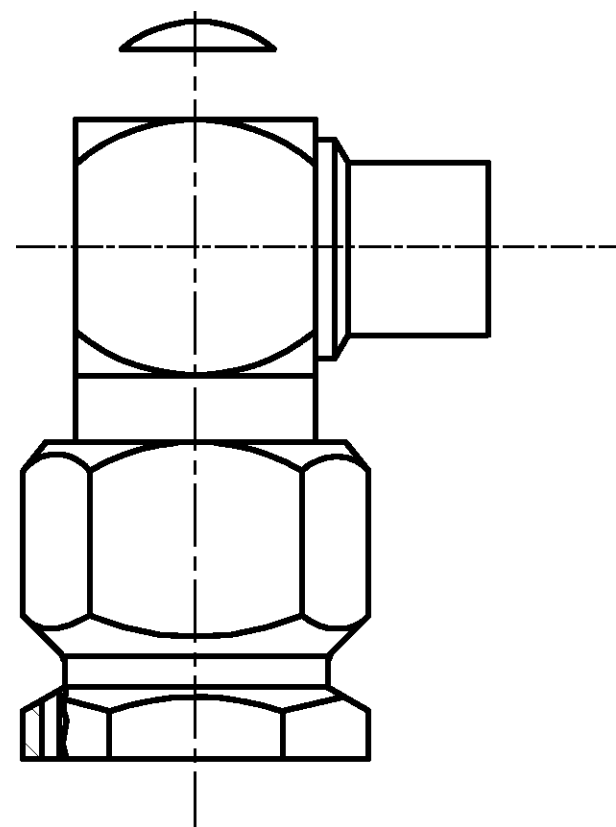
MATING CHARACTERISTICS: INSERTION (MAX LBS) N/A
 WITHDRAWAL (MIN OZ): N/A

CABLE RETENTION: AXIAL FORCE (LBS) 60 MIN
 TORQUE (IN-OZ): 55.0

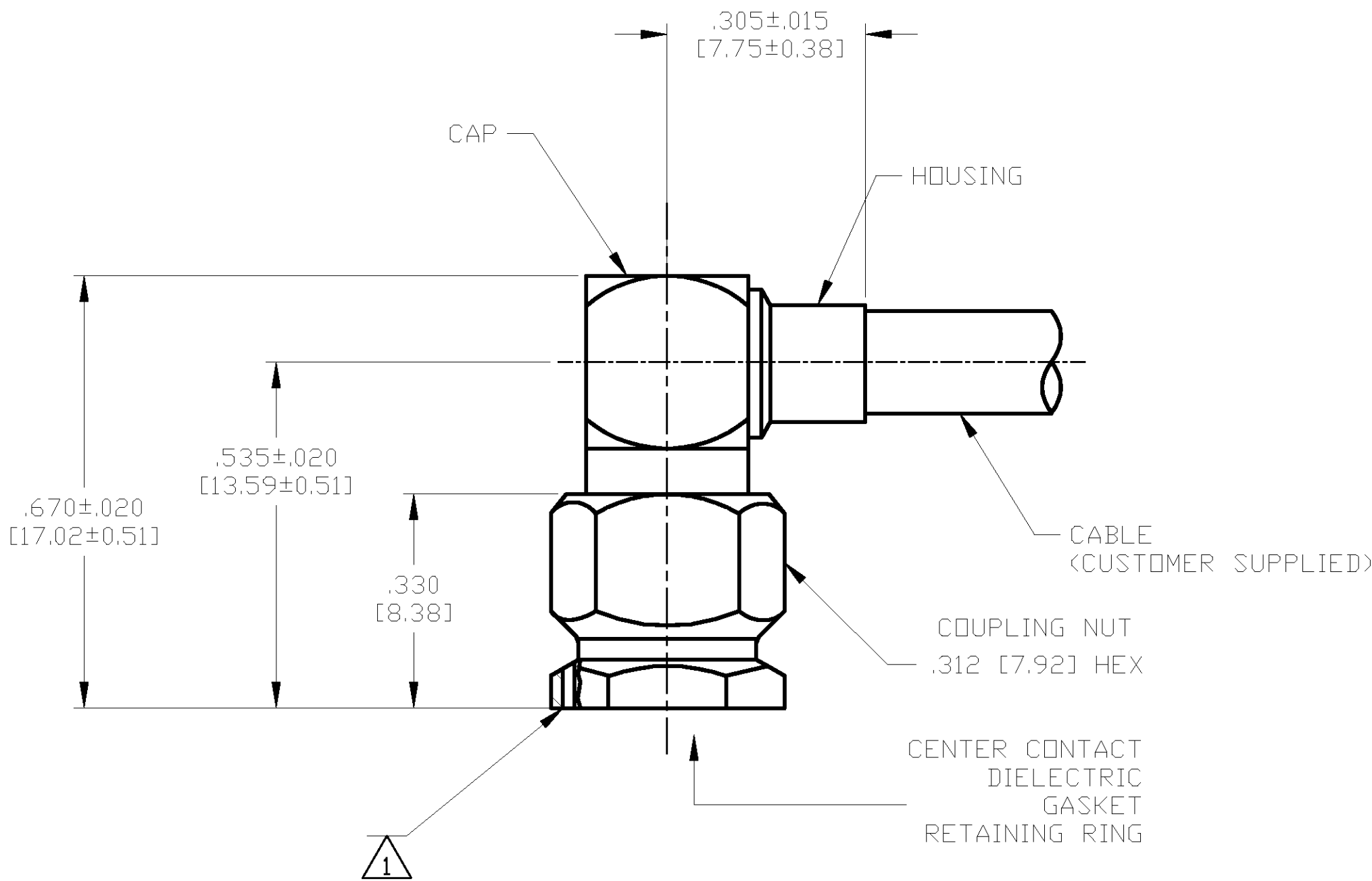
CENTER CONTACT CAPTIVATION: AXIAL (LBS): 6.0
 RADIAL (IN-OZ): N/A

ELECTRICAL

NORMAL IMPEDANCE (OHMS): 50
 FREQUENCY RANGE (GHz): DC TO 12.4
 VOLT RATING @ SEA LEVEL (VRMS MAX): 500
 VSWR: 1.10+0.01f(GHz)
 INSERTION LOSS: (dB MAX): .05 $\sqrt{f(\text{GHz})}$
 RF LEAKAGE (dB MIN): -90 @ 2-3 GHz
 CORONA 70,000 FT (VRMS MIN): 375
 DIELECTRIC WITHSTANDING VOLTAGE (VRMS MIN) AT SEA LEVEL: 1500
 I.R. (MEGOHMS MIN): 5,000
 RF HIGH POTENTIAL AT SEA LEVEL (VRMS MIN @ 5 MHz): 1000
 CONTACT RESISTANCE (MILLIOHMS MAX):
 CENTER CONTACT: 4.0
 OUTER CONTACT: 2.0
 CABLE TO HOUSING: 0.5



AS SHIPPED TO CUSTOMER



ASSEMBLED VIEW

1 ∅.018 [0.46] LOCKWIRE HOLE, 3 PLACES EQUALLY SPACED.

| | | |
|--|----------------------|----------------------|
| DESIGNED TO USE RG-402/U OR EQUIVALENT CABLE ENTRY DIAMETER MIN | HOUSING: .145 [3.68] | CONTACT: .037 [0.94] |
| | | |
| | | |
| | | |
| | | |

| | | | | | | | | | | | | | | | | | | | | | |
|--|---|--------------------------------|---|---|-------|---|---|-------|---|---|-------|---|-------------|-------|---|---|--------|---|---|-------------------|------------|
| THIS DRAWING IS A CONTROLLED DOCUMENT. | | DWN J. KAISER 10/07/02 | Tyco Electronics Corporation Harrisburg, PA 17105 | | | | | | | | | | | | | | | | | | |
| DIMENSIONS: INCHES [mm] | | CHK J. LIPPERT 11-20-02 | | | | | | | | | | | | | | | | | | | |
| TOLERANCES UNLESS OTHERWISE SPECIFIED: | | APVD J. LIPPERT 11-20-02 | NAME SMA RIGHT ANGLE CABLE PLUG-DIRECT SOLDER ATTACHMENT (M39012/80-3008) CAT E | | | | | | | | | | | | | | | | | | |
| <table border="1"> <tr> <td>0 PLC</td> <td>±</td> <td>-</td> </tr> <tr> <td>1 PLC</td> <td>±</td> <td>-</td> </tr> <tr> <td>2 PLC</td> <td>±</td> <td>-</td> </tr> <tr> <td>3 PLC</td> <td>±</td> <td>.005 [0.13]</td> </tr> <tr> <td>4 PLC</td> <td>±</td> <td>-</td> </tr> <tr> <td>ANGLES</td> <td>±</td> <td>-</td> </tr> </table> | | 0 PLC | ± | - | 1 PLC | ± | - | 2 PLC | ± | - | 3 PLC | ± | .005 [0.13] | 4 PLC | ± | - | ANGLES | ± | - | PRODUCT SPEC - | SIZE A2 |
| 0 PLC | ± | - | | | | | | | | | | | | | | | | | | | |
| 1 PLC | ± | - | | | | | | | | | | | | | | | | | | | |
| 2 PLC | ± | - | | | | | | | | | | | | | | | | | | | |
| 3 PLC | ± | .005 [0.13] | | | | | | | | | | | | | | | | | | | |
| 4 PLC | ± | - | | | | | | | | | | | | | | | | | | | |
| ANGLES | ± | - | | | | | | | | | | | | | | | | | | | |
| MATERIAL SEE TABLE | | FINISH SEE TABLE | APPLICATION SPEC 408-4845 | | | | | | | | | | | | | | | | | | |
| | | WEIGHT TBD | CAGE CODE 00779 | | | | | | | | | | | | | | | | | | |
| | | DRAWING NO 1051170 | | | | | | | | | | | | | | | | | | | |
| | | RESTRICTED TO - | | | | | | | | | | | | | | | | | | | |
| | | CUSTOMER DRAWING | | | | | | | | | | | | | | | | | | | |
| | | SCALE 5:1 | SHEET 1 OF 1 | | | | | | | | | | | | | | | | | | |
| | | REV 0 | | | | | | | | | | | | | | | | | | | |

单击下面可查看定价，库存，交付和生命周期等信息

[>>TE Connectivity\(泰科\)](#)