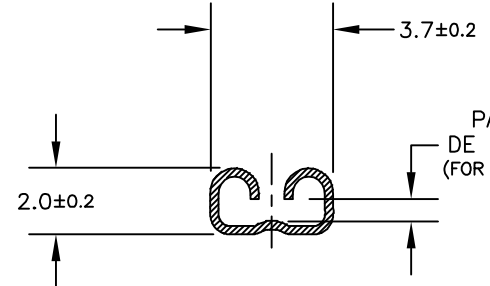
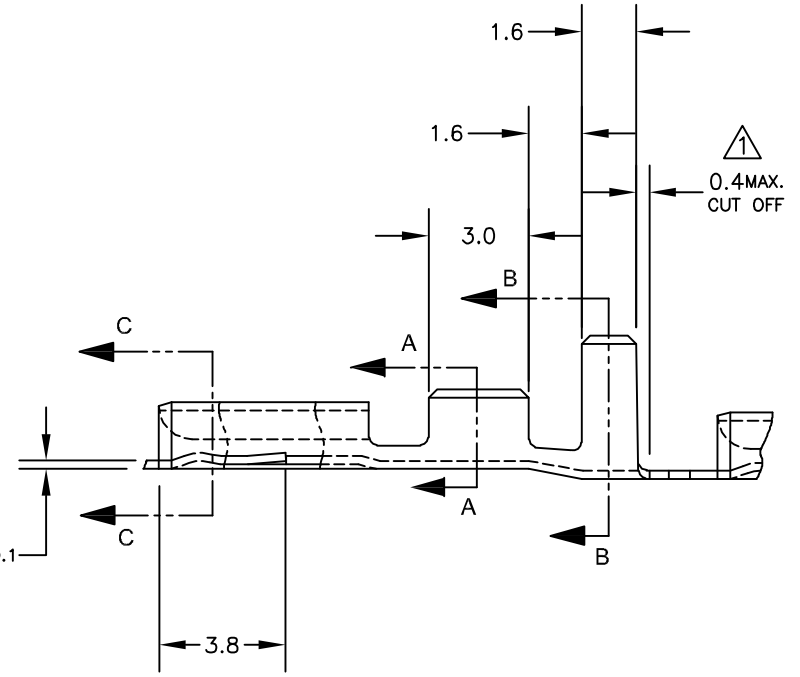
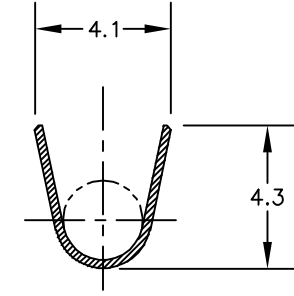
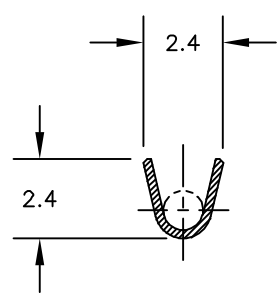
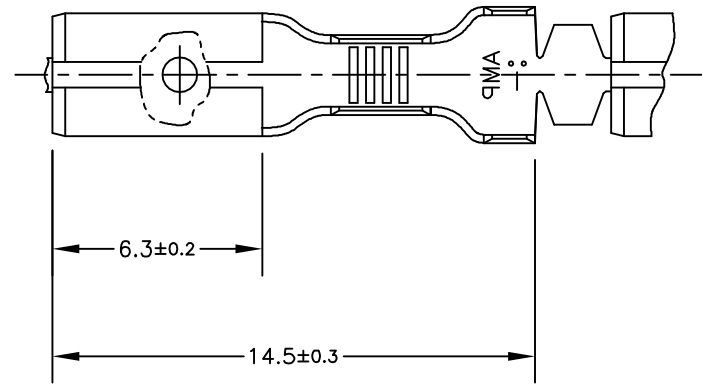


THIS DRAWING IS UNPUBLISHED. RELEASED FOR PUBLICATION
 © COPYRIGHT - By - ALL RIGHTS RESERVED.

LOC	DIST	REVISIONS					
AP	-	P	LTR LT	DESCRIPTION DESCRICAO	DATE DATA	DWN DES	APVD APR
		E		REVISED BY ECLB080/02	07MAY02	AP	PLF
E1		REVISED PER ECO-10-000445	12JUN10	KK	AEG		
E2		REVISED BY ECO-12-020561	22NOV12	PP	DAO		



△ - PEÇA SOLTA. △ - LOOSE PIECE.
 △ - OBSOLETE PARTS: OBSOLETE CIS STREAMLINING PER D.RENAUD/D.SINISI

FINISH	MATERIAL	PART NUMBER
ESTANHADO / TIN PLATED	BRONZE FOSF. / PHOSP. BRONZE	881607-8
---	BRONZE FOSF. / PHOSP. BRONZE	881607-7 △
ESTANHADO / TIN PLATED	LATÃO / BRASS	881607-6 △
---	LATÃO / BRASS	881607-5 △
PRATEADO / SILVER PLATED	LATÃO / BRASS	881607-4
---	BRONZE FOSF. / PHOSP. BRONZE	881607-3
ESTANHADO / TIN PLATED	LATÃO / BRASS	881607-2
---	LATÃO / BRASS	881607-1

INS. RANGE 2,0 - 2,7 mm	WIRE RANGE 0,5 - 1,0 mm ²
THIS DRAWING IS A CONTROLLED DOCUMENT.	
DIMENSIONS: DIMENSÕES mm	TOLERANCES UNLESS OTHERWISE SPECIFIED: TOLERÂNCIA NCO ESPECIFICADAS
	0 PLC/DEC ± - 1 PLC/DEC ± 0,3 2 PLC/DEC ± - 3 PLC/DEC ± - 4 PLC/DEC ± - ANGLES/ANGULARES ± 1°
MATERIAL SEE TABLE	FINISH ACABAMENTO SEE TABLE

DWN/DES 07MAY2002 A.PERUSSI
 CHK/CH 07MAY2002 P.L.FARIA
 APVD/APR 07MAY2002 L.W.PRADO

STE TE Connectivity

NAME DESRIGCO .110 SERIES FASTON RECEPTACLE

PRODUCT SPEC 108-37014
 APPLICATION SPEC 114-2036

WEIGHT -/- SIZE A3 CAGE CODE 00779 DRAWING NO DESENHO NO C-881607 RESTRICTED TO -/-

CUSTOMER DRAWING/DESENHO DE CLIENTE SCALE ESCALA 5:1 SHEET FOLHA 1 DE 1 REV E2

DO NOT REVISE EXCEPT BY CAD

单击下面可查看定价，库存，交付和生命周期等信息

[>>TE Connectivity\(泰科\)](#)